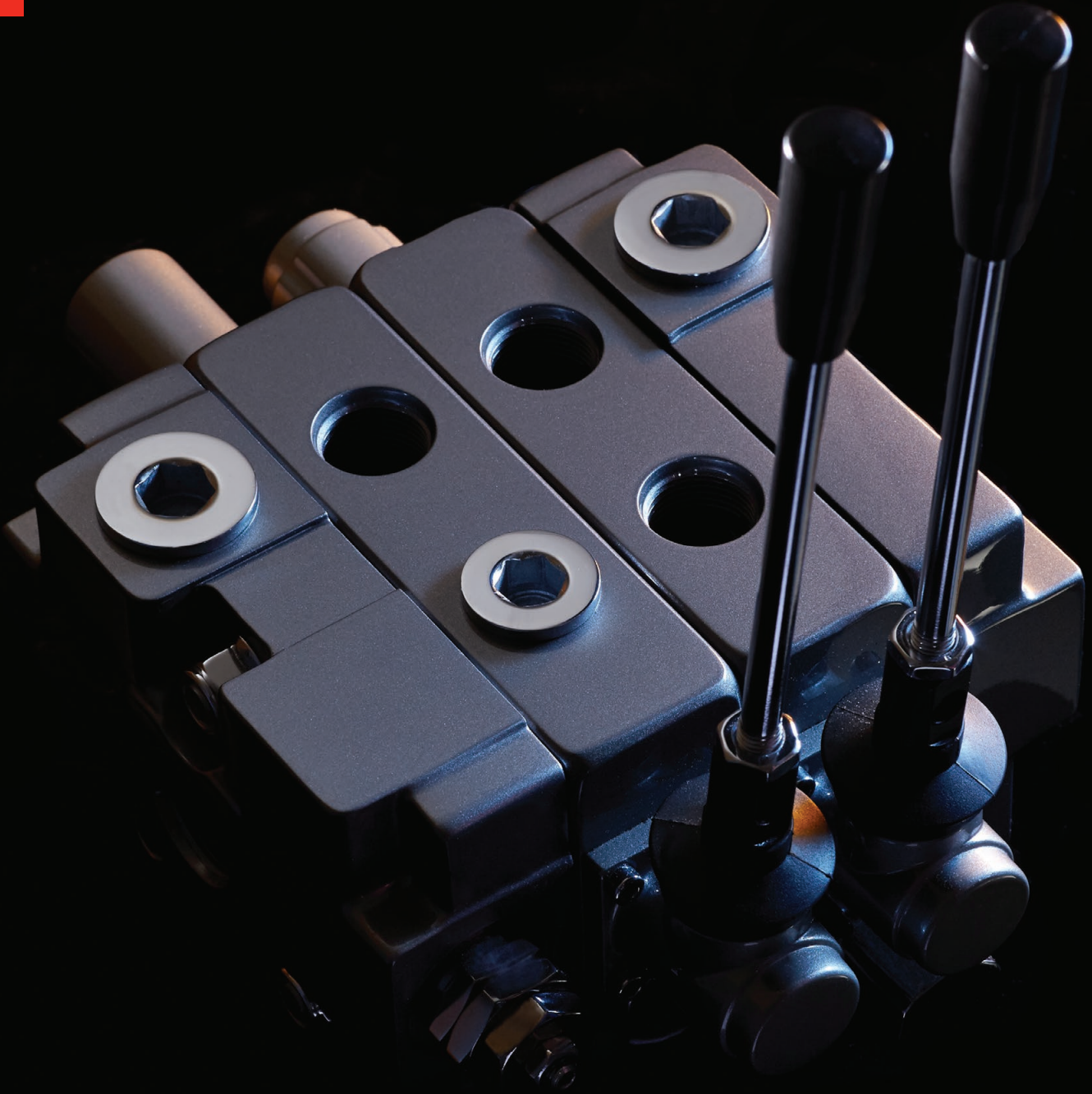
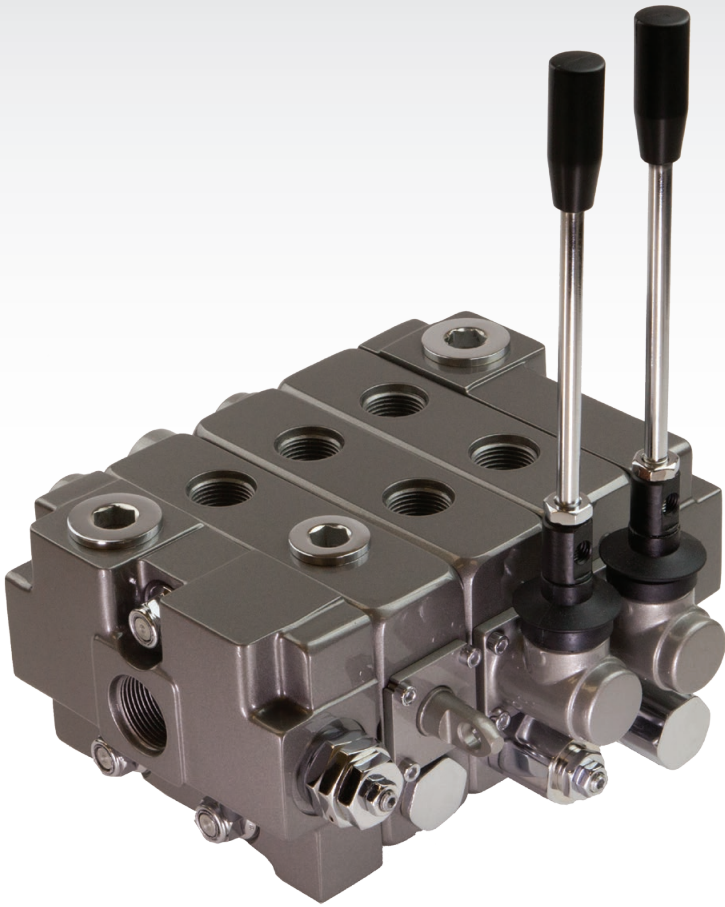


# TAKE CONTROL

DIRECTIONAL CONTROL VALVES





## DIRECTIONAL CONTROL VALVES

Take control with Muncie Power Products' directional control valves. With high-grade iron castings and nickel-plated spools, our lineup is built with higher pressure capabilities to withstand the most extreme applications. Different spool, control, positioner and accessory options allow for customization, with each work section pre-assembled and 100 percent tested prior to shipment for your satisfaction. Created for all of your application needs, our lineup of directional control valves are built to make your product last longer.



### V080 SERIES

Designed for low flow rates, the V080 is the smallest of our directional control valve lineup.

**Flow Capacity:**

Nominal: 21 GPM (80 LPM)  
Maximum: 30 GPM (114 LPM)

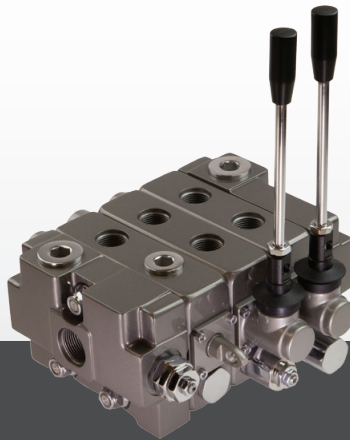
**MAX Pressure:**

1 - 3 Sections: 5075 PSI (350 BAR)  
4 - 6 Sections: 4650 PSI (320 BAR)  
7 - 10 Sections: 4350 PSI (300 BAR)

**MAX Back Pressure:**

365 PSI (25 BAR)

Brochure: MP15-01



### V130 SERIES

Designed for mid-flow rates, the V130 is our mid-size option of directional control valves

**Flow Capacity:**

Nominal: 34 GPM (130 LPM)  
Maximum: 55 GPM (208 LPM)

**MAX Pressure:**

1 - 3 Sections: 5440 PSI (375 BAR)  
4 - 6 Sections: 5075 PSI (350 BAR)  
7 - 10 Sections: 4710 PSI (325 BAR)

**MAX Back Pressure:**

365 PSI (25 BAR)

Brochure: MP15-02



### V250 SERIES

Designed for high flow rates, the V250 is our largest directional control valve option.

**Flow Capacity:**

Nominal: 67 GPM (250 LPM)  
Maximum: 75 GPM (280 LPM)

**MAX Pressure:**

4000 PSI (275 BAR)

**MAX Back Pressure:**

290 PSI (20 BAR)

Brochure: MP15-03

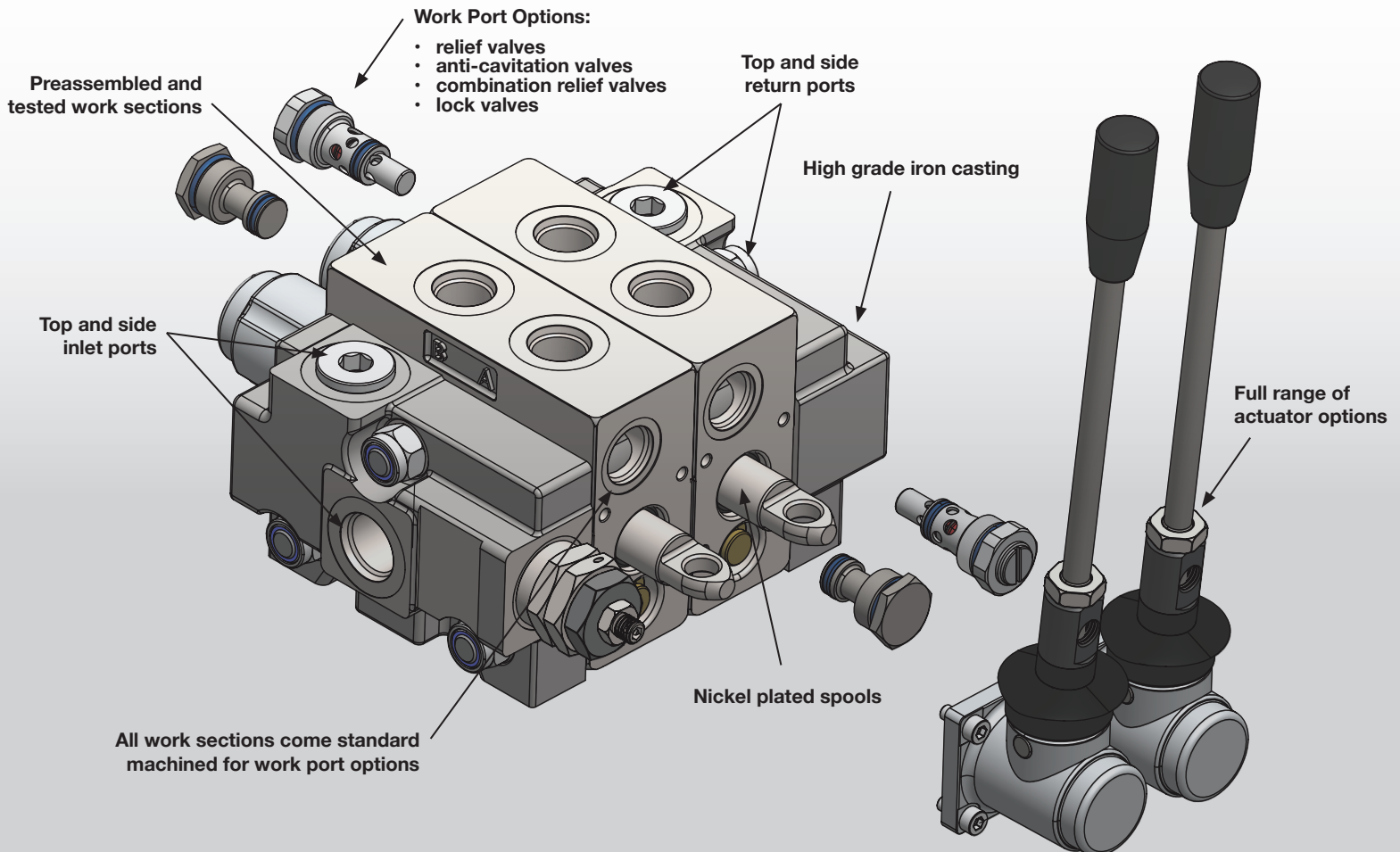
**DON'T WAIT. FIND THE VALVE THAT'S RIGHT FOR YOU TODAY.**



### INTERACTIVE VALVE DESIGNER

Visit our interactive specification tool and configure a valve to meet your application needs. Our valve designer tools allow you to easily configure work sections, meet necessary flow requirements and obtain finalized specs for easy ordering.

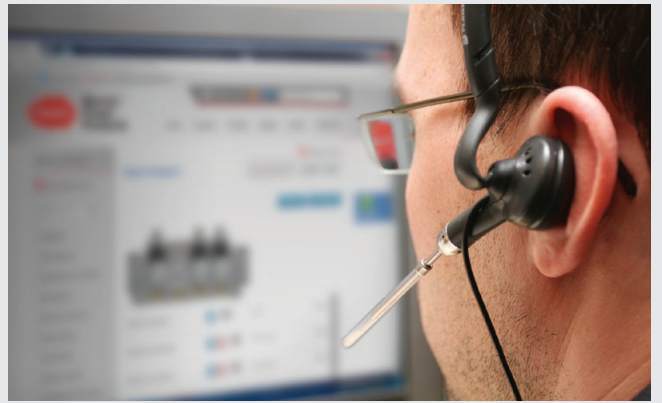
[www.munciepower.com/mpower](http://www.munciepower.com/mpower)



# WE BUILD TRUST.

At Muncie, we understand  
that we're building much more  
than hydraulic components.

**We are building trust.**



## **NEED HELP?**

Please contact our customer service team for product related questions, or visit online for additional product information, literature, stocking locations and more.

**800.367.7867** [www.munciepower.com](http://www.munciepower.com)

**POWER TAKE-OFFS - PUMPS - CYLINDERS - VALVES - RESERVOIRS - HOSES - FITTINGS - FILTERS**



**MUNCIE POWER PRODUCTS**  
A MEMBER OF THE INTERPUMP GROUP

201 EAST JACKSON STREET - POST OFFICE BOX 548 - MUNCIE, INDIANA 47308 USA - 800.367.7867 - WWW.MUNCIEPOWER.COM