



MUNCIE POWER PRODUCTS

## Product Bulletin #00064

### **Subject: Change to 10-bolt Mounting Kit**

Date: November 9, 2018

URL: [www.munciepower.com](http://www.munciepower.com)

---

The Muncie 10-bolt PTO mounting kit for the **CS24/25, HS24, CS40/41 and CD10** have been changed to the new kit **20TK6353**.

The new **20TK6353** kit contains:

8 pcs.) 19T64314 Metric Capscrews

2 pcs.) 20T63321 Dowel Pins

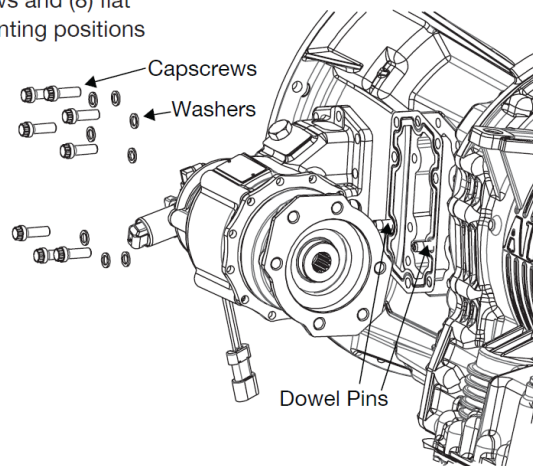
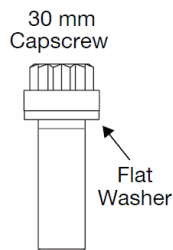
8 pcs.) 21T64303 Flat Washers – Hardened steel

The new capscrews have a plating on them for corrosion protection. The flat washers are a hardened steel.

The instruction card MC18-03 is included with the kit to show the location of the components and the required installation torque value of 40-45 ft.lbs.

### **Capscrew Installation**

The (2) dowel pins are installed in the 2 positions shown. The (8) 30 mm capscrews and (8) flat washers are used on the 8 mounting positions shown. Use (8) hardened flat washers under all capscrews and torque to 40-45 ft.lb.



MC18-03 (Rev. 07-18)  
© Muncie Power Products, Inc. 2018

WE BUILD  
TRUST.



MUNCIE POWER PRODUCTS

The Muncie 10-bolt PTO mounting kit for the **CS10/11 and CD30** have been changed to the new kit **20TK6388**. The new capscrews have a plating on them for corrosion protection. The flat washers are a hardened steel.

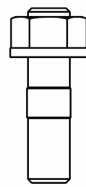
The instruction card MC18-05 is included with the kit to show the location of the components and the required installation torque value of 45 ft.lbs.

The new **20TK6388** kit contains:

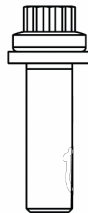
- 6 pcs.) 19T64314 Metric Capscrews
- 2 pcs.) 20T63321 Dowel Pins
- 2 pcs.) 20T64077 Metric Studs (Green)
- 2 pcs.) 22T39282 Nuts
- 8 pcs.) 21T64303 Flat Washers – Hardened steel

### Capscrew Installation

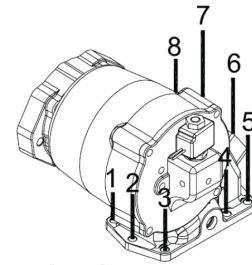
The 2) GREEN studs (1.68") are to be used in positions 1 & 3 as shown on this diagram. The 6) 30mm capscrews and 6) Flat Washers are used on positions 2,4,5,6,7&8.



GREEN Stud w/flange nut



12 pt. Capscrew w/Flat Washer



**TORQUE TO 45 LB.FT.**

MC18-05 Printed in U.S.A.

Muncie Power Products, Inc. 2018

Service parts manuals are in process of updating to show these kit changes.

Contact Muncie Customer Service for more Information.

WE BUILD  
TRUST.