



MUNCIE POWER PRODUCTS

Product Bulletin #00101

Subject: 82 Series Air Shift Kit

Date: March 16, 2021

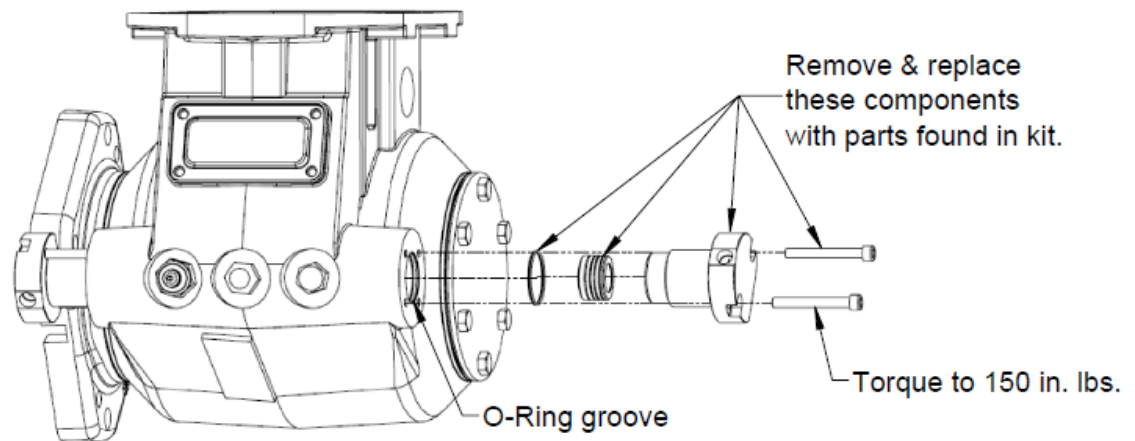
URL: www.munciepower.com

Muncie Air Cylinder Kit 47TK6172 is available for the 82 Series PTOs. This kit utilizes “U” cup seals with quad ring reinforcement, and can be used to convert non-air shift PTOs, or to upgrade the existing air shifted PTOs utilizing the “V” cup seals.

The kit comes preassembled from the factory. This new “U” cup seal is an enhancement over the “V” cup seal, and is a more robust seal better suited for transmissions using low viscosity fluids as are commonly used today.

The installation instruction for this kit is i4057.

This kit replaces the components shown below:



Contact Muncie Power Customer Service at 1-800-367-7867 for more information.

WE BUILD
TRUST.