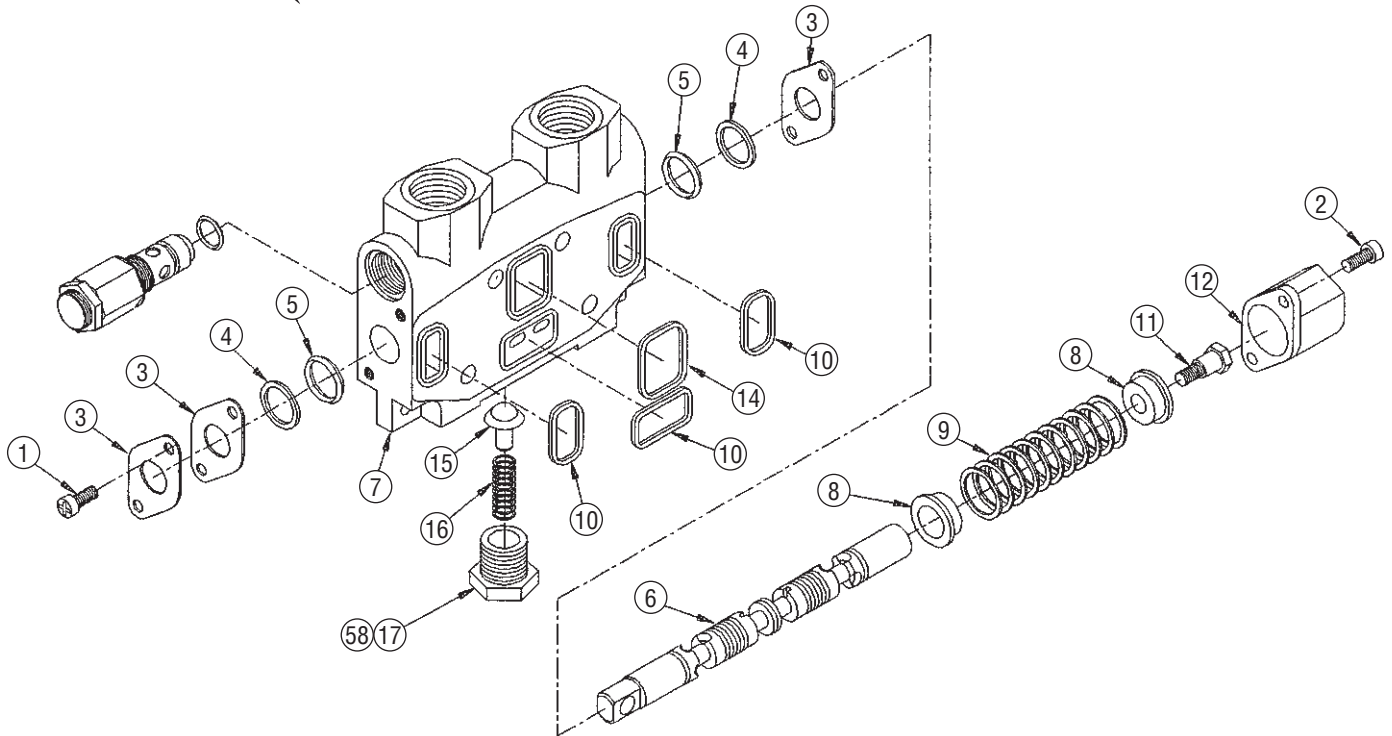




90V SERIES DIRECTIONAL CONTROL VALVES SERVICE PARTS LIST



PARTS LIST AND DESCRIPTION

ITEM	QTY	PART NUMBER	DESCRIPTION
WORK SECTION ASSEMBLY			
1	2	90V-1433-002	Retainer Plate Screw
2	2	90V-1433-009	Backcap Screw
3	3	90V-2183-005	Retainer Plate
4	2	90V-2681-426	Backup Ring
5	2	90V-2887-212	Spool Seal
6	1	90V-1873-076	Spool P
		90V-1873-068	Spool D
		90V-1873-072	Spool C
7	1	N/A	Valve Housing
8	2	90V-1642-013	Spring Guide
9	1	90V-3581-633	Centering Spring
11	1	90V-1432-021	Stripper Bolt
12	1	90V-6000-100	Backcap
CHECK VALVE ASSEMBLY			
15	1	60V-2481-069*	Check Valve Poppet
16	1	60V-3581-713*	Check Spring
17	1	60V-0581-044*	Check Valve Cap
		60V-2281-015	Check Valve Cap (C Spool)
58	1	60V-2881-204*	O-Ring
PLUGS			
N/S		HHBP-16	O.D.T. Plug (-16)
N/S		HHPP-16	N.P.T. Plug (-16)
N/S		HHBP-20	O.D.T. Plug (-20)
N/S		HHPP-20	N.P.T. Plug (-20)
SECTION SEAL O-RINGS			
10	3	60V-2881-200	Seal
14	1	90V-2881-403	Seal

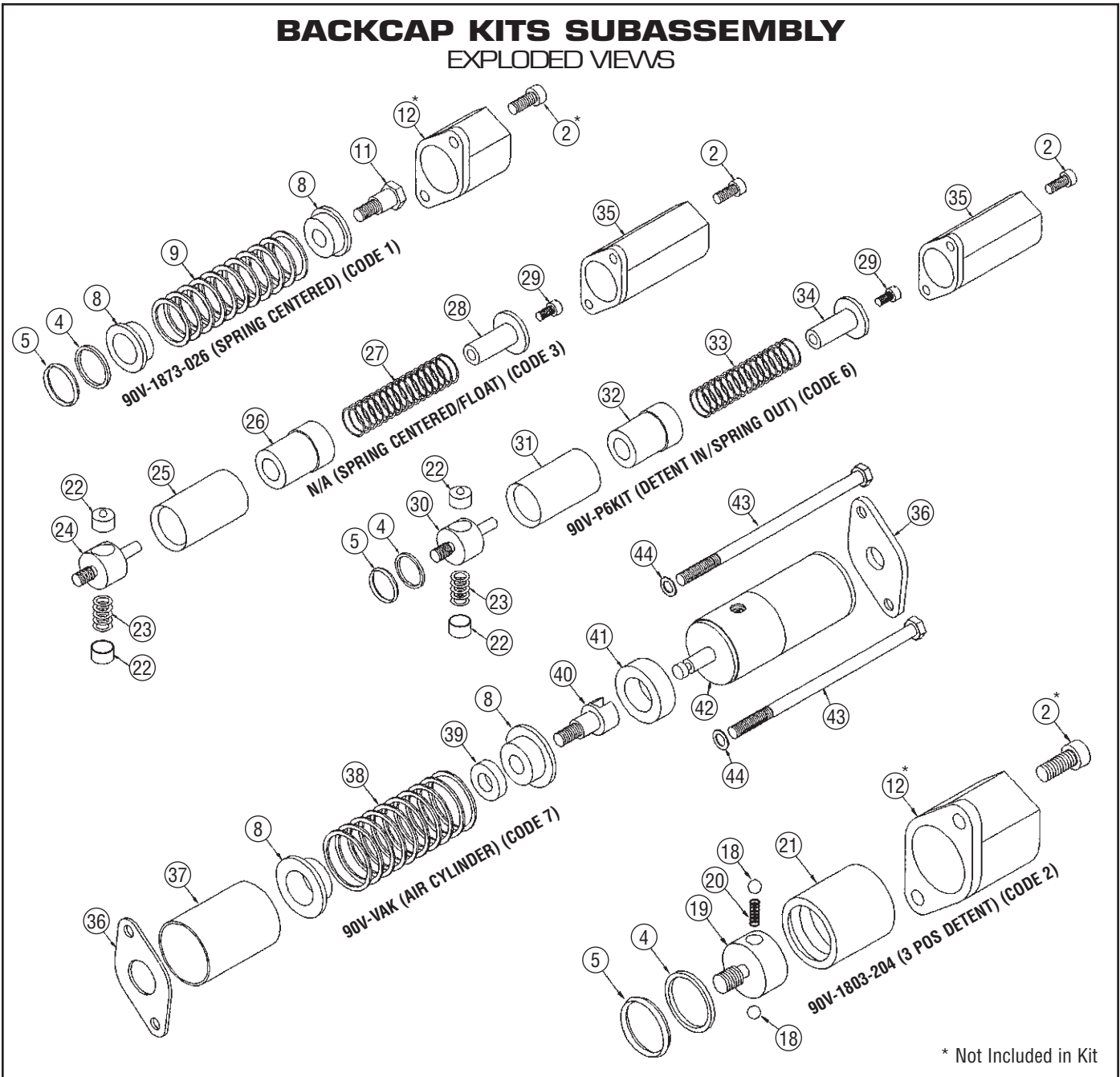
* Not used with C Spool

ITEM	QTY	PART NUMBER	DESCRIPTION
INLET RELIEF VALVE SEALS			
N/S	2	90V-2881-260	O-Ring
N/S	1	90V-2881-137	O-Ring
N/S	1	90V-2681-165	Backup Ring
N/S	1	90V-1583-012	Gasket Washer
WORK PORT RELIEF VALVE SEALS			
N/S	1	60V-2881-204	O-Ring
N/S	1	60V-2881-333	O-Ring
N/S	1	60V-2681-349	Backup Ring
N/S	1	60V-2881-246	O-Ring
N/S	1	60V-2881-801	Internal O-Ring
OUTLETS			
N/S	1	90VP03Y	N.P.T.- Powerbeyond
N/S	1	90VP03T	N.P.T.-Tank Ports
N/S	1	90VS02Y	SAE O.D.T.-Powerbeyond
N/S	1	90VS03T	SAE O.D.T.-Tank Ports
INLETS			
N/S	1	90VS03F	SAE O.D.T. w/o R.V.
N/S	1	90VP03F	N.P.T. w/o R.V.
MID INLETS			
N/S	1	90VP6MS0F	N.P.T.- Split Flow w/o R.V.
N/S	1	90VP6MC0F	N.P.T. - Combine Flow w/o R.V.
N/S	1	90VS6MS0F	SAE O.D.T. - Split Flow w/o R.V.
N/S	1	90VS6MC0F	SAE O.D.T. - Combine Flow w/o R.V.

MISCELLANEOUS KITS

ITEM	QTY	PART NUMBER	DESCRIPTION
HANDLE KIT			
N/S	1	90V-HVK-10	10" Handle Kit
N/S	1	90V-HVK-8	8" Handle Kit
N/S	1	90V-HVK-6	6" Handle Kit
STUD KITS			
N/S	1	90V-STD-1	Single Spool (5.0 in.)
N/S	1	90V-STD-2	Two Spool (7.0 in.)
N/S	1	90V-STD-3	Three Spool (9.0 in.)
N/S	1	90V-STD-4	Four Spool (11.0 in.)
N/S	1	90V-STD-5	Five Spool (13.0 in.)
N/S	1	90V-STD-6	Six Spool (15.0 in.)

ITEM	QTY	PART NUMBER	DESCRIPTION
BACK CAP KITS			
N/S	1	90V-1873-026	Spring Centered Kit (Code 1)
N/S	1	90V-1803-204	3 Pos. Detent Kit (Code 2)
N/S	1	N/A	Spring Centered/Float (Code 3)
N/S	1	90V-P6KIT	Detent In/Spring Out Kit (Code 6)
N/S	1	90V-VAK	Air Cylinder (Code 7)
SEAL KITS			
N/S	1	90V-1803-055	Seals (Bet. Sections-Items 10,14)
N/S	1	90V-1803-457	Complete Seal Kit (10,14,4,5)
N/S	1	90V-1873-044	Inlet R.V. Seal Kit
N/S	1	60V-1873-037	Work Port R.V. Seal Kit
N/S	1	60V-1873-042	Work Port R.V. w/Anti-cav Seal Kit

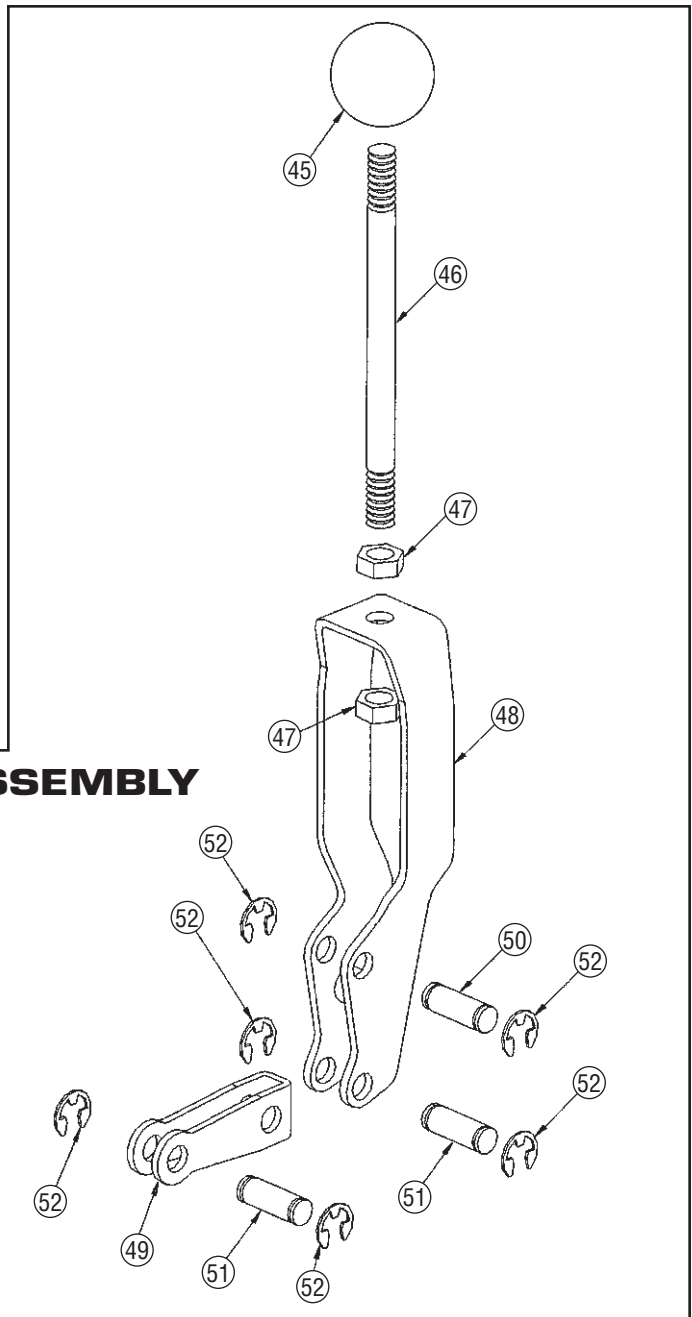


BACKCAP KITS SUBASSEMBLY

REFERENCE EXPLODED VIEWS ON PREVIOUS PAGE

ITEM	QTY	PART NUMBER	DESCRIPTION
90V-1873-026 (SPRING CENTERED KIT) (CODE 1)			
4	2	90V-2681-001	Backup Ring
5	2	90V-2881-101	O-Ring
8	2	90V-1642-013	Spring Guide
9	1	90V-3581-633	Return Spring
11	1	90V-1432-021	Stripper Bolt
90V-1803-204 (3 POS. DETENT KIT) (CODE 2)			
4	1	90V-2681-001	Backup Ring
5	1	90V-2881-101	Quad Spool Seal
18	2	90V-0282-009	Steel Ball
19	1	90V-2583-006	Ball Retainer
20	1	90V-3581-015	Detent Spring
21	1	90V-3283-008	Detent Sleeve
N/A (SPRING CENTERED/FLOAT) (CODE 3)			
2	2	90V-1433-009	Screw, Fil. Hd.
22	2	90V-2482-006	Detent Poppet
23	1	90V-3581-169	Detent Spring
24	1	90V-2583-007	Poppet Retainer
25	1	90V-3283-011	Detent Sleeve
26	1	90V-2586-006	Spring Retainer
27	1	90V-3581-978	Return Spring
28	1	90V-2586-002	Spring Guide
29	1	90V-1435-001	Screw, Fil. Hd.
35	1	90V-6100-100	Backcap
90V-P6KIT (DETENT IN/SPRING OUT KIT) (CODE 6)			
2	2	90V-1433-009	Screw, Fil. Hd.
4	1	90V-2681-426	Backup Ring
5	1	90V-2887-212	Quad Spool Seal
22	2	90V-2482-006	Detent Poppet
23	1	90V-3581-169	Detent Spring
29	1	90V-1435-001	Screw, Fil. Hd.
30	1	90V-2583-003	Poppet Retainer
31	1	90V-3283-041	Detent Sleeve
32	1	90V-2586-005	Spring Retainer
33	1	90V-3581-126	Return Spring
34	1	90V-2586-013	Spring Guide
35	1	90V-6100-100	Backcap

ITEM	QTY	PART NUMBER	DESCRIPTION
90V-VAK (AIR CYLINDER) (CODE 7)			
8	2	90V-1642-013	Spring Retainer
36	1	90V-2183-199	Retainer Plate (Valve End)
	1	90V-2183-197	Retaining Plate (Thick)
37	1	90V-3384-362	Stop Tube
38	1	90V-3581-926	Return Spring
39	1	90V-3384-365	Spacer Tube
40	1	90V-1401-511	Stripper Bolt
41	1	90V-3384-363	Spacer Tube
42	1	90V-1803-398	Piston Subassembly
43	2	90V-1425-422	5/16"-18 x 6.25 Lg. Capscrew
44	2	90V-3782-214	Washer



VERTICAL HANDLE KIT SUBASSEMBLY

ITEM	QTY	PART NUMBER	DESCRIPTION
90V-HVK-**			
45	1	60V-0283-014	Knob, Handle
46	1	60V-1841-014	Rod, Handle (For 6" Handle Kit)
		60V-1841-015	(For 8" Handle Kit)
		60V-1841-016	(For 10" Handle Kit)
47	2	60V-1453-022	Jam Nut
48	1	60V-1841-013	Lever
49	1	90V-1861-004	Link
50	1	90V-2080-002	Clevis Pin (.91)
51	2	60V-2080-003	Clevis Pin (1.0)
52	6	60V-2681-470	Retaining Ring
N/S	1	90V-3384-161	Tube

STUD SUB-ASSEMBLY

ITEM	QTY	PART NUMBER	DESCRIPTION
N/S	4	90V-3784-033	Stud Washer
N/S	4	90V-1401-492	Stud (1 Section)
N/S	4	90V-1401-493	Stud (2 Sections)
N/S	4	90V-1401-494	Stud (3 Sections)

ITEM	QTY	PART NUMBER	DESCRIPTION
N/S	4	90V-1401-495	Stud (4 Sections)
N/S	4	90V-1422-005	Stud (5 Sections)
N/S	4	90V-1422-006	Stud (6 Sections)

CARTRIDGES - RELIEFS / ANTI-CAV

ITEM	QTY	PART NUMBER	DESCRIPTION
N/S	N/A	90V-9107-076	Inlet Relief Plug
N/S	N/A	90V-1873-003	Relief Valve (800-2,500 PSI)
N/S	N/A	90V-9107-396	Relief Valve (std) (1,500-3,000PSI)
N/S	N/A	60V-9001-143	Shim Adj. W.P.R.V. (500-1,000 PSI)
N/S	N/A	60V-9002-143	Shim Adj. W.P.R.V. (1,000-2,500 PSI)

ITEM	QTY	PART NUMBER	DESCRIPTION
N/S	N/A	60V-9001-164	Anti-Cav Cartridge
N/S	N/A	60V-9001-115	Anti-Cav Cartridge w/Screw Adj - R.V. (500-2,500,PSI)
N/S	N/A	60V-2283-075	Work Port Relief Plug
N/S	N/A	PS-1231-13V	Relief Valve Shim .005
N/S	N/A	PS-1231-14V	Relief Valve Shim .015
N/S	N/A	PS-1231-15V	Relief Valve Shim .062

ACCESSORIES - RESTRICTORS

ITEM	QTY	PART NUMBER	DESCRIPTION
N/S	N/A	90V-0882-038	Port Restrictor -16 O.D.T. (Blank) Controlled Flow into Valve, Free Flow out



**Muncie[®]
Power
Products**