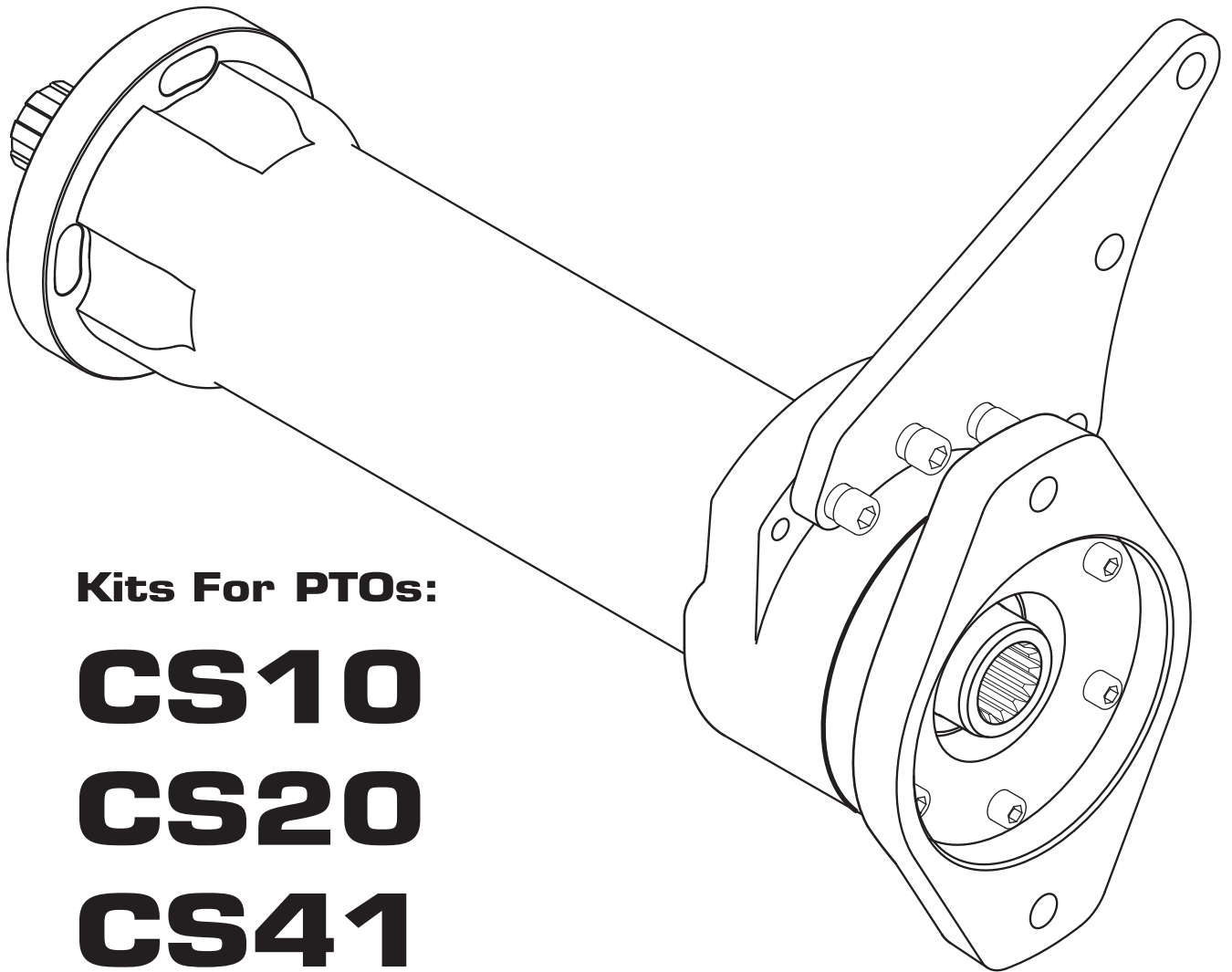




EXTENDED SHAFT

SERVICE PARTS LIST



Kits For PTOs:

CS10

CS20

CS41

CD10

EXTENDED SHAFT PARTS LIST FOR USE WITH CS20

ITEM	QTY.	PART NUMBER	DESCRIPTION
1	1	06T39798	Output Shaft SAE B (Kit #49TA4692A, 49TA4694A, 49TA4833A, 49TA4841
-	-	06T39897	Output Shaft SAE B-B (Kit #49TA4698A, 49TA4699A, 49TA4834A)
-	-	06T40553	Output Shaft DIN 5462 (Kit #49TA4896A, 49TA4897A, 49TA4898A)
-	-	06T40086	Output Shaft SAE C (Kit #49TA4788A, 49TA4789A, 49TA4835A, 49TA4838A, 49TA4839A, 49TA4840A, 49TA5001A, 49TA5002A, 49TA5003A)
2	1	10T39826	Bearing (All)
3	4	19T31577	Capscrew (All)
4	1	14T40379	Flange (All)
5	1	49T40380	Housing (All)
6	1	49T38226	Bracket 3000 Series - L.S. (Kit #49TA4692A, 49TA4698A, 49TA4896A, 49TA4788A, 49TA4838A, 49TA5001A)
-	-	49T38252	Bracket 3000 Series - R.S. (Kit #49TA4694A, 49TA4699A, 49TA4897A, 49TA4789A, 49TA4839A, 49TA5002A)
-	-	49T38227	Bracket 4000 Series - L.S. (Kit #49TA4833A, 49TA4834A, 49TA4898A, 49TA4835A, 49TA4840A, 49TA5003A)
-	-	49T39274	Bracket 3000 Series 83T - L.S. (Kit #49TA4841A)
7	3	49T38238	Bushing (All)
8	3	19T33504	Capscrew (All)
9	1	14T35767	Hyd. Flg. SAE B or SAE B-B (Kit #49TA4692A, 49TA4698A, 49TA4694A, 49TA4699A, 49TA4833A, 49TA4834A, 49TA4838A, 49TA4839A, 49TA4840A)
-	-	14T36007	Hyd. Flg. SAE C (Kit #49TA4788A, 49TA4789A, 49TA4835A)
-	-	14T36834	Hyd. Flg. DIN 5462 (Kit #49TA4896A, 49TA4897A, 49TA4898A)
-	-	14T40576	Hyd. Flg SAE C 2/4-Bolt (Kit#49TA5001A, 49TA5002A, 49TA5003A)
10	6	19T31577	Capscrew for 14T35767
-	-	19M84478	Capscrew for 14T36007 or 14T40576
-	-	19T96512	Capscrew for 14T36834
11	1	10T38255	Bearing (All)
12	1	25T35724	Cap Plug for 06T39798
-	-	25T35725	Cap Plug for 06T39897
-	-	25T35938	Cap Plug for 06T40553
-	-	25T35936	Cap Plug for 06T40086
14*	3	49T38256	Trans Spacer 3000 Series Only (.643") (Kit #49TA4692A, 49TA4698A, 49TA4896A, 49TA4788A, 49TA4838A, 49TA4694A, 49TA4699A, 49TA4897A, 49TA4789A, 49TA4839A, 49TA5001A, 49TA5002A)
-	N/A	N/A	No Spacer Required On 4000 Series Trans. (Kit #49TA4833A, 49TA4834A, 49TA4898A, 49TA4835A, 49TA4840A, 49TA5003A)
15*	3	19T38257	Transmission Cap Screw (3000)
-	-	19T37098	Transmission Cap Screw (4000)
16*	4	19T39801	PTO Flange Mounting Socket Cap Screw
*		<i>Included in Kits</i>	<i>48TK4691 3000 Series Trans. 48TK4836 4000 Series Trans.</i>

CS20 PTO ARRANGEMENTS:
LEFT side PTO's are "3" arrangement only
RIGHT side PTO's are "1" arrangement only

CS20 with "I" Output Option

EXTENDED SHAFT KITS FOR CS20

OLD STYLE	CURRENT STYLE	TRANS.	OPENING	OUTPUT
49TA4138	49TA4692A	3000	LEFT	SAE B
49TA4139	49TA4698A	3000	LEFT	SAE B-B
49TA4140	49TA4896A	3000	LEFT	DIN 5462
49TA4141	49TA4694A	3000	RIGHT	SAE B
49TA4142	49TA4699A	3000	RIGHT	SAE B-B
49TA4207	49TA4897A	3000	RIGHT	DIN 5462
49TA4208	49TA4833A	4000	LEFT	SAE B
49TA4209	49TA4834A	4000	LEFT	SAE B-B
49TA4210	49TA4898A	4000	LEFT	DIN 5462
49TA4452	49TA4788A	3000	LEFT	SAE-C 2-Bolt
49TA4453	49TA4789A	3000	RIGHT	SAE-C 2-Bolt
49TA4454	49TA4835A	4000	LEFT	SAE-C 2-Bolt
49TA4455	49TA4838A	3000	LEFT	SAE-B w/C Shaft
49TA4456	49TA4839A	3000	RIGHT	SAE-B w/C Shaft
49TA4457	49TA4840A	4000	LEFT	SAE-B w/C Shaft
49TA4590	49TA4841A	3000/83T	LEFT	SAE-B
--	49TA5001A	3000	LEFT	SAE-C 2/4-Bolt
--	49TA5002A	3000	RIGHT	SAE-C 2/4-Bolt
--	49TA5003A	4000	LEFT	SAE-C 2/4-Bolt

EXTENDED SHAFT PARTS LIST FOR USE WITH CD10

ITEM	QTY.	PART NUMBER	DESCRIPTION
1	1	06T38236	Output Shaft SAE B (Kit #49TA4125A, 49TA4135A, 49TA4132A)
-	-	06T38251	Output Shaft SAE B-B (Kit #49TA4126A, 49TA4134A, 49TA4129A)
-	-	06T38254	Output Shaft SAE C (Kit #49TA4127A, 49TA4133A, 49TA4130A, 49TA4450A, 49TA4451A, 49TA4432A, 49TA4941A, 49TA4999A, 49TA5000A)
-	-	06T38239	Output Shaft Din 5462 (Kit #49TA4128A, 49TA4137A, 49TA4131A)
2	1	10T37229	Bearing (All)
3	4	19T31577	Capscrew (All)
4	1	14T37925	Flange (All)
5	1	49T38228	Housing (All)
6	1	49T38226	Bracket 3000 Series --L.S. (Kit #49TA4125A, 49TA4126A, 49TA4127A, 49TA4128A, 49TA4450A)
-	-	49T38252	Bracket 3000-RS (Kit #49TA4133A, 49TA4134A, 49TA4135A, 49TA4137A, 49TA4451A, 49TA4999A)
-	-	49T38395	Bracket 4000 Series --L.S. (Kit #49TA4129A, 49TA4130A, 49TA4131A, 49TA4132A, 49TA4432A, 49TA4941A)
7	3	49T38238	Bushing (All)
8	3	19T33504	Capscrew (All)
9	1	14T35767	Hyd. Flg. SAE B or SAE B-B (Kit #49TA4125A, 49TA4135A, 49TA4132A, 49TA4126A, 49TA4134A, 49TA4129A, 49TA4451A, 49TA4432A)
-	-	14T36007	Hyd. Flg. SAE C (Kit #49TA4127A, 49TA4133A, 49TA4130A)
-	-	14T36834	Hyd. Flg. DIN 5462 (Kit #49TA4128A, 49TA4137A, 49TA4131A)
-	-	14T40576	Hyd. Flg. SAE C 2/4-Bolt (Kit# 49TA4941A, 49TA4999A, 49TA5000A)
10	6	19T31577	Capscrew SAE B or SAE B-B
-	-	19M84478	Capscrew SAE C
-	-	19T96512	Capscrew DIN 5462
11	1	10T38255	Bearing (All)
12	1	25T35724	Cap Plug 06T38236
-	-	25T35725	Cap Plug 06T38251
-	-	25T35936	Cap Plug 06T38254
-	-	25T35938	Cap Plug 06T38239
14*	3	49T38256	Trans Spacer 3000 Series Only (.643") (Kit #49TA4125A, 49TA4126A, 49TA4127A, 49TA4128A, 49TA4450A, 49TA4133A, 49TA4134A, 49TA4135A, 49TA4137A, 49TA4451A, 49TA4999A, 49TA45000A)
-	N/A	N/A	No Spacer Required On 4000 Trans. (Kit #49TA4129A, 49TA4130A, 49TA4131A, 49TA4132A, 49TA4432A, 49TA4941A)
15*	3	19T38257	Transmission Cap Screw (All)
16*	2	19T20524	PTO Flange Mounting Hex Cap Screw
17*	2	21T35276	PTO Flange Mounting Lock Washer
*		<i>Included in Kits</i>	<i>48TK4474A 3000 Series Trans. 48TK4475A HD Trans.</i>
-	-	-	

CD10 PTO ARRANGEMENTS:
LEFT side PTO's are "3" arrangement only
RIGHT side PTO's are "1" arrangement only

CD10 with "Z" Output Option

EXTENDED SHAFT KITS FOR CD10

OLD STYLE	CURRENT STYLE	TRANS.	OPENING	OUTPUT
49TA4125	49TA4125A	3000	LEFT	SAE B
49TA4126	49TA4126A	3000	LEFT	SAE B-B
49TA4127	49TA4127A	3000	LEFT	SAE C
49TA4128	49TA4128A	3000	LEFT	DIN 5462
49TA4450	49TA4450A	3000	LEFT	SAE B/C Shaft
--	49TA4999A	3000	LEFT	SAE C 2/4-Bolt
49TA4133	49TA4133A	3000	RIGHT	SAE C
49TA4134	49TA4134A	3000	RIGHT	SAE B-B
49TA4135	49TA4135A	3000	RIGHT	SAE B
49TA4137	49TA4137A	3000	RIGHT	DIN 5462
49TA4451	49TA4451A	3000	RIGHT	SAE B/C Shaft
--	49TA5000A	3000	RIGHT	SAE C 2/4-Bolt
49TA4129	49TA4129A	4000	LEFT	SAE B-B
49TA4130	49TA4130A	4000	LEFT	SAE C
49TA4131	49TA4131A	4000	LEFT	SAE B
49TA4132	49TA4132A	4000	LEFT	DIN 5462
49TA4432	49TA4432A	4000	LEFT	SAE B/C Shaft
--	49TA4941A	4000	LEFT	SAE C 2/4-Bolt

EXTENDED SHAFT PARTS LIST FOR USE WITH CS10

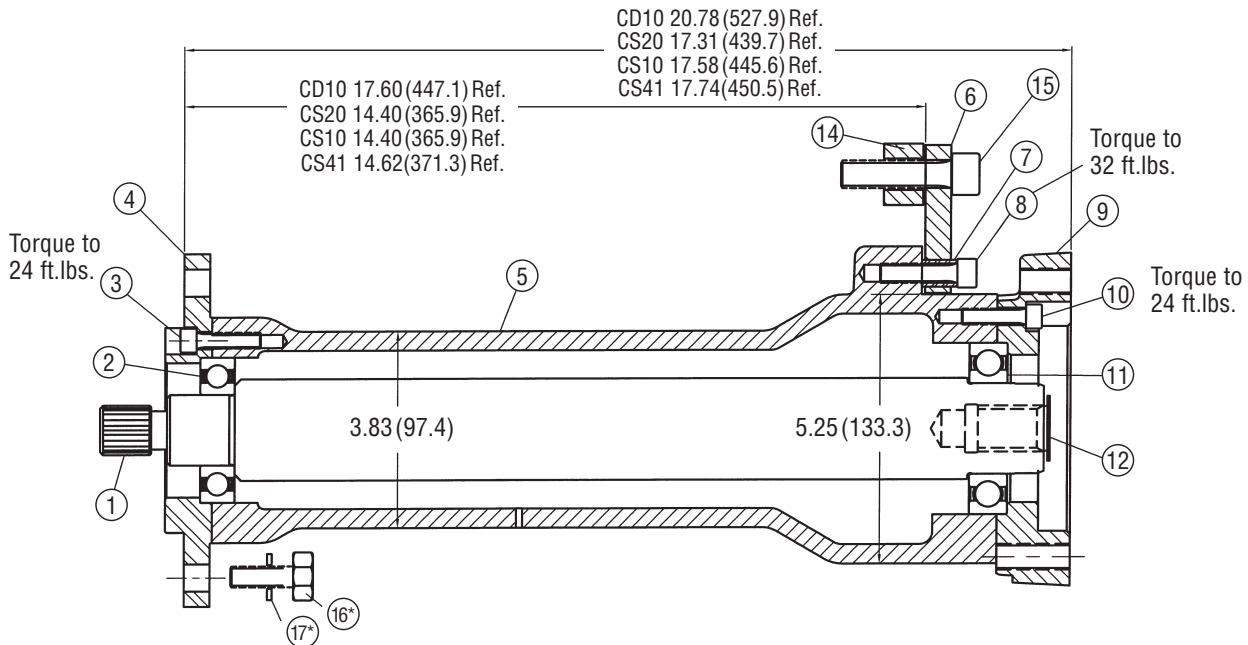
ITEM	QTY.	PART NUMBER	DESCRIPTION
1	1	06T38843	Output Shaft SAE B-B (Kit #49TA4495A)
-	-	06T38974	Output Shaft SAE C (Kit #49TA4506A, Kit #49TA4837A)
2	1	10T37229	Bearing (All)
3	4	19M84478	Capscrew (All)
4	1	14T37925	Flange (All)
5	1	49T38284	Housing (All)
6	1	49T38842	Bracket 3000 Series - L.S. (Kit #49TA4495A, 49TA4506A, 49TA4837A)
7	3	49T38238	Bushing (All)
8	3	19T33504	Capscrew (All)
9	1	14T35767	Hyd. Flg. SAE B-B (Kit #49TA4495A)
-	-	14T36007	Hyd. Flg. SAE C 2-Bolt only (Kit #49TA4506A)
-	-	14T40576	Hyd. Flg. SAE C 2- & 4-Bolt (Kit #49TA4837A)
10	6	19T31577	Capscrew for 14T35767
-	-	19M84478	Capscrew for 14T36007, 14T35769
-	-	19T96512	Capscrew DIN 5462
11	1	10T38255	Bearing (All)
12	1	25T35725	Cap Plug for 06T38843
-	-	25T35936	Cap Plug for 06T38974
14*	4	49T38844	Trans Spacer 3000 Series (.375") (Kit #49TA4495A, 49TA4506A, 49TA4837A)
15*	4	19T38257	Transmission Cap Screw (All)
16*	2	19T20524	PTO Flange Mounting Hex Cap Screw
17*	2	21T35276	PTO Flange Mounting Lock Washer
*		Included in Kit	48TK4496 3000 Series Trans.

CS10 PTO ARRANGEMENTS:
 LEFT side PTO's are "3" arrangement only
 RIGHT side PTO's kits have not been designed

CS10 with "Z" Output Option

EXTENDED SHAFT KITS FOR CS10

OLD STYLE	CURRENT STYLE	TRANS.	OPENING	OUTPUT
49TA4495	49TA4495A	3000	LEFT	SAE B-B
49TA4506	49TA4506A	3000	LEFT	SAE C 2-Bolt
49TA4837	49TA4837A	3000	LEFT	SAE C 2/4-Bolt



EXTENDED SHAFT PARTS LIST FOR USE WITH CS41

ITEM	QTY.	PART NUMBER	DESCRIPTION
1	1	06T40396	Output Shaft SAE C (Kit #49TA4877A, 49TA4881A, 49TA5004A)
-	-	06T38974	Output Shaft DIN 5462 (Kit #49TA4880A)
2	1	10T39826	Bearing (All)
3	4	19T31577	Capscrew (All)
4	1	14T40397	Flange (All)
5	1	49T40398	Housing (All)
6	1	49T40399	Bracket 4000 Series - L.S. (Kit #49TA4877A, 49TA4880A, 49TA4881A, 49TA5004A)
7	3	49T38238	Bushing (All)
8	3	19T33504	Capscrew (All)
9	1	14T36007	Hyd. Flg. SAE C 2-Bolt Only (Kit #49TA4877A)
-	-	14T36834	Hyd. Flg. DIN 5462
-	-	14T35767	Hyd. Flg. SAE B 2- & 4-Bolt (Kit #49TA4881A)
-	-	14T40576	Hyd. Flg. SAE C 2- & 4-Bolt (Kit #49TA5004A)
10	6	19T31577	Capscrew for 14T35767
-	-	19M84478	Capscrew for 14T36007, 14T40576
-	-	19T96512	Capscrew DIN 5462
11	1	10T38255	Bearing (All)
12	1	25T35725	Cap Plug for 06T38843
-	-	25T35936	Cap Plug for 06T38974
14	NA		
15*	3	19T37098	Transmission Cap Screw (All)
16*	4	19T40400	PTO Flange Mounting Hex Cap Screw
*		<i>Included in Kit</i>	<i>48TK4876 4000 Series Trans.</i>

CS41 PTO ARRANGEMENTS:
LEFT side PTO's are "3" arrangement only
RIGHT side PTO's kits have not been designed

CS41 with "Z" Output Option

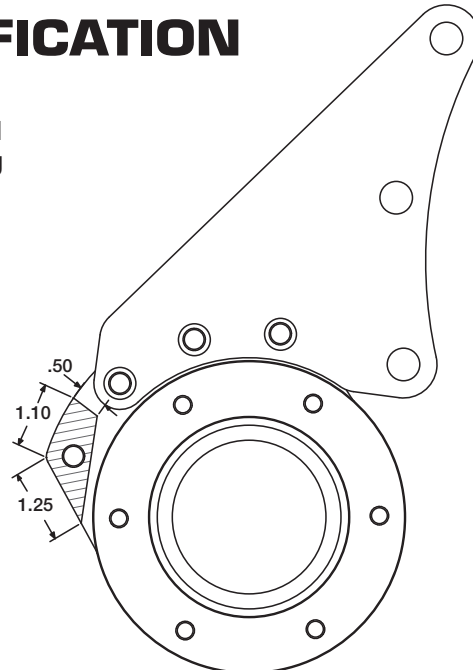
EXTENDED SHAFT KITS FOR CS41

OLD STYLE	CURRENT STYLE	TRANS.	OPENING	OUTPUT
	49TA4877A	4000	LEFT	SAE C 2-Bolt
	49TA4880A	4000	LEFT	DIN 5462
	49TA4881A	4000	LEFT	SAE B/C Shaft
	49TA5004A	4000	LEFT	SAE C 2- & 4-Bolt

CLEARANCE MODIFICATION

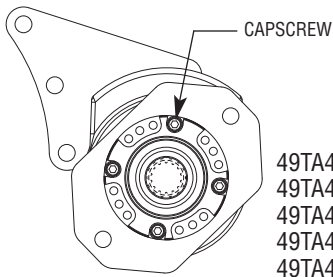
Installation requiring additional clearance to chassis obstacle. You may cut the extended shaft flange as shown here without lessening the structure of the extended shaft.

Do Not Flame Cut.

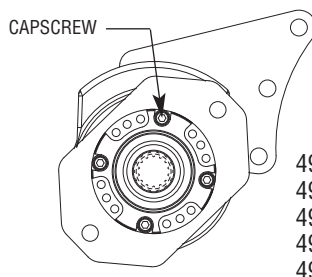


FLANGE MOUNTING ORIENTATION EXTENDED SHAFT MOUNTING

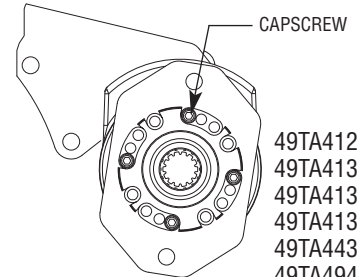
CD10 KITS



49TA4125A
49TA4126A
49TA4127A
49TA4128A
49TA4450A



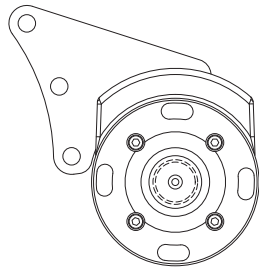
49TA4133A
49TA4134A
49TA4135A
49TA4137A
49TA4451A



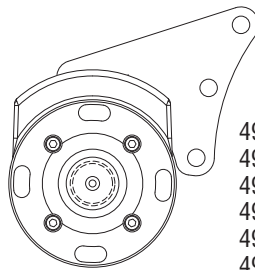
49TA4129A
49TA4130A
49TA4131A
49TA4132A
49TA4432A
49TA4941A

PTO	BRACKET	SAE B	SAE B-B	DIN	SAE C 2-Bolt	SAE B/C 'Z' Opt.	SAE C 2- & 4-Bolt
CD10	49T38226	49TA4125A	49TA4126A	49TA4128A	49TA4127A	49TA4450A	49TA5000A
CD10	49T38252	49TA4135A	49TA4134A	49TA4137A	49TA4133A	49TA4451A	49TA4999A
CD10	49T38395	49TA4132A	49TA4129A	49TA4131A	49TA4130A	49TA4432A	49TA4941A

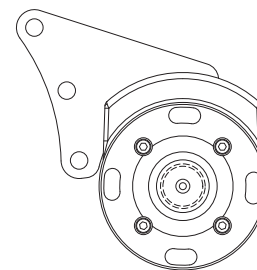
CS20 KITS



49TA4692A
49TA4698A
49TA4896A
49TA4788A
49TA4838A
49TA5001A



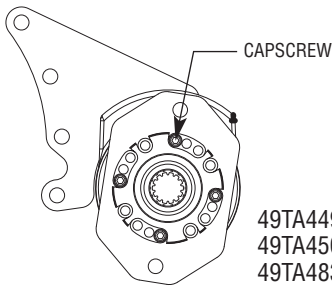
49TA4694A
49TA4699A
49TA4897A
49TA4789A
49TA4839A
49TA5002A



49TA4833A
49TA4834A
49TA4898A
49TA4835A
49TA4840A
49TA5003A

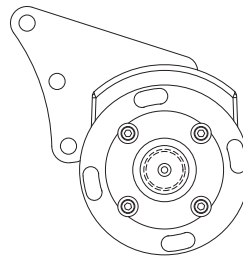
PTO	BRACKET	SAE B	SAE B-B	DIN	SAE C 2-Bolt	SAE B/C 'Z' Opt.	SAE C 2- & 4-Bolt
CS20	49T38226	49TA4692A	49TA4698A	49TA4896A	49TA4788A	49TA4838A	49TA5001A
CS20	49T38252	49TA4694A	49TA4699A	49TA4897A	49TA4789A	49TA4839A	49TA5002A
CS20	49T38227	49TA4833A	49TA4834A	49TA4898A	49TA4835A	49TA4840A	49TA5003A
CS20	49T38274	49TA4841A					

CS10 KITS



49TA4495A
49TA4506A
49TA4837A

CS41 KITS

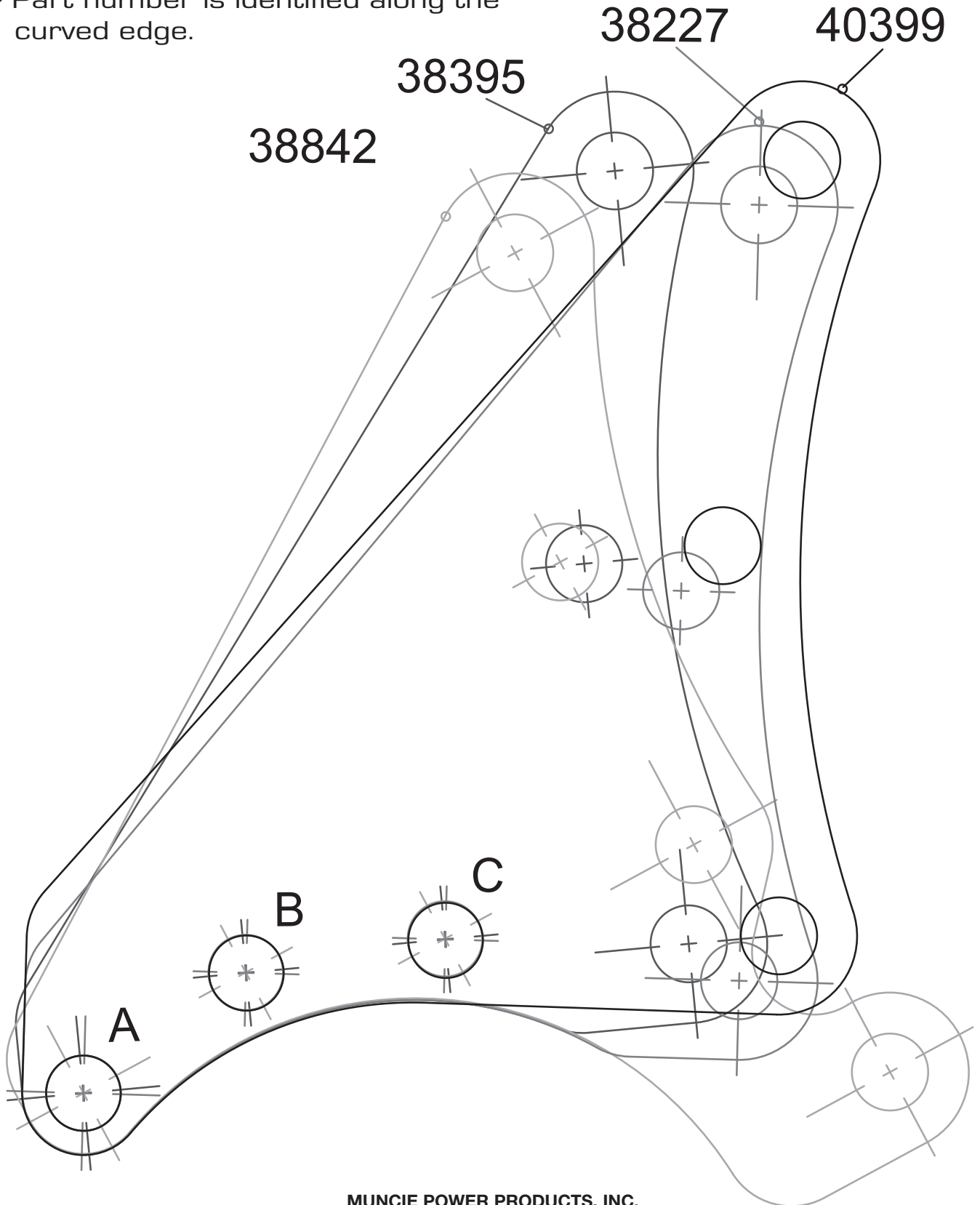


49TA4877A
49TA4880A
49TA4881A
49TA5004A

PTO	BRACKET	SAE B	SAE B-B	DIN	SAE C 2-Bolt	SAE B/C 'Z' Opt.	SAE C 2- & 4-Bolt
CS10	49T38842		49TA4495A		49TA4506A		49TA4837A
CS41	49T40398			49TA4880A	49TA4877A	49TA4881A	49TA5004A

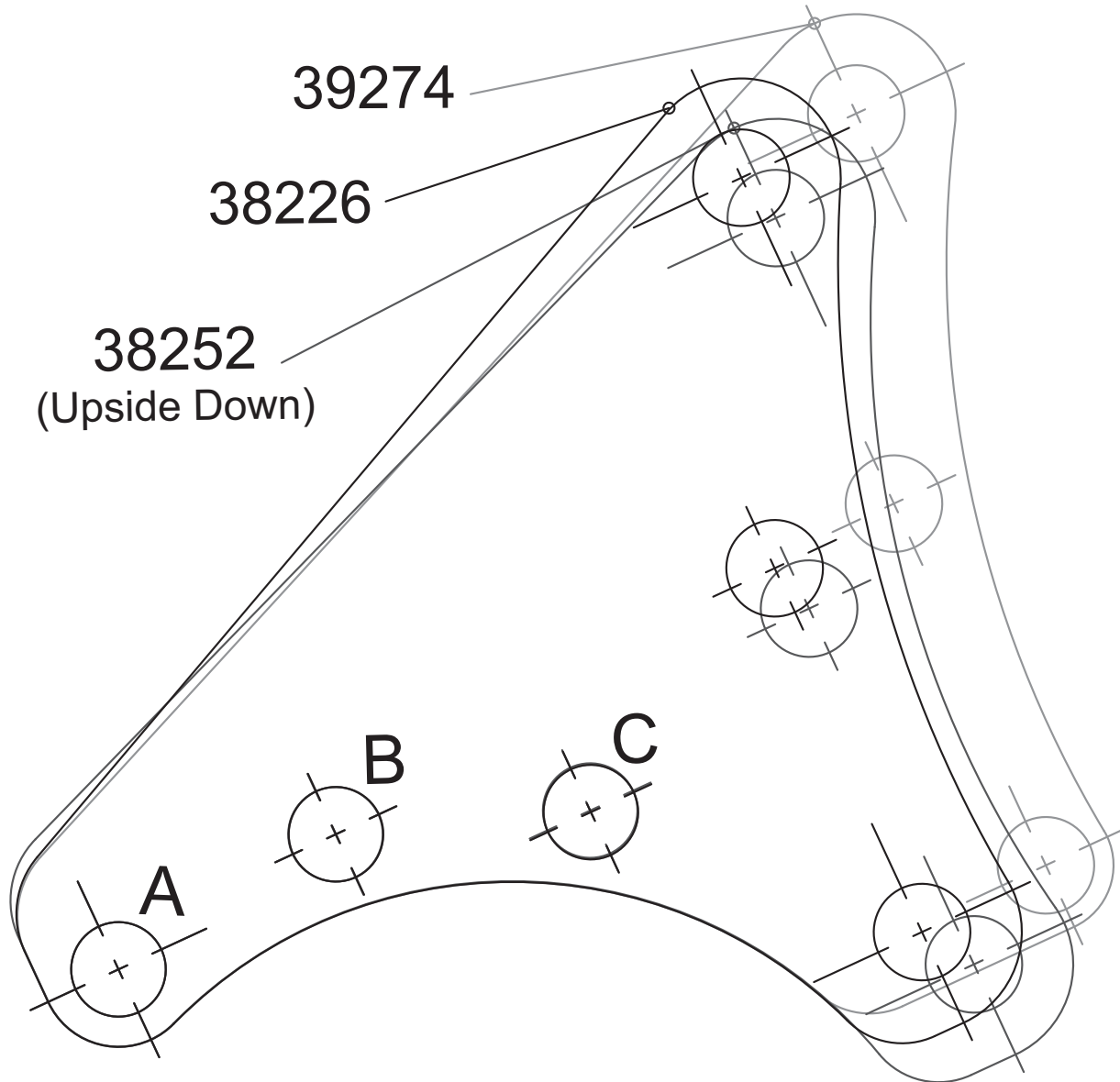
BRACKET I.D. TEMPLATE

- Lay bracket on template and align the mounting holes A, B, C shown below.
- Part number is identified along the curved edge.



BRACKET I.D. TEMPLATE

- Lay bracket on template and align the mounting holes A, B, C shown below.
- Part number is identified along the curved edge.



**Muncie®
Power
Products**

SP02-01 (Rev. 6-08) Printed in the U.S.A.
© Muncie Power Products, Inc. 2008

Muncie Power Products, Inc. Member of the Interpump Hydraulics Group
General Offices and Distribution Center • P.O. Box 548 • Muncie, IN 47308-0548
(765) 284-7721 • FAX (765) 284-6991 • E-mail info@munciepower.com
Web site <http://www.munciepower.com>

Drive Products, Exclusive Agents for Canada, ISO Certified by an Accredited Registrar