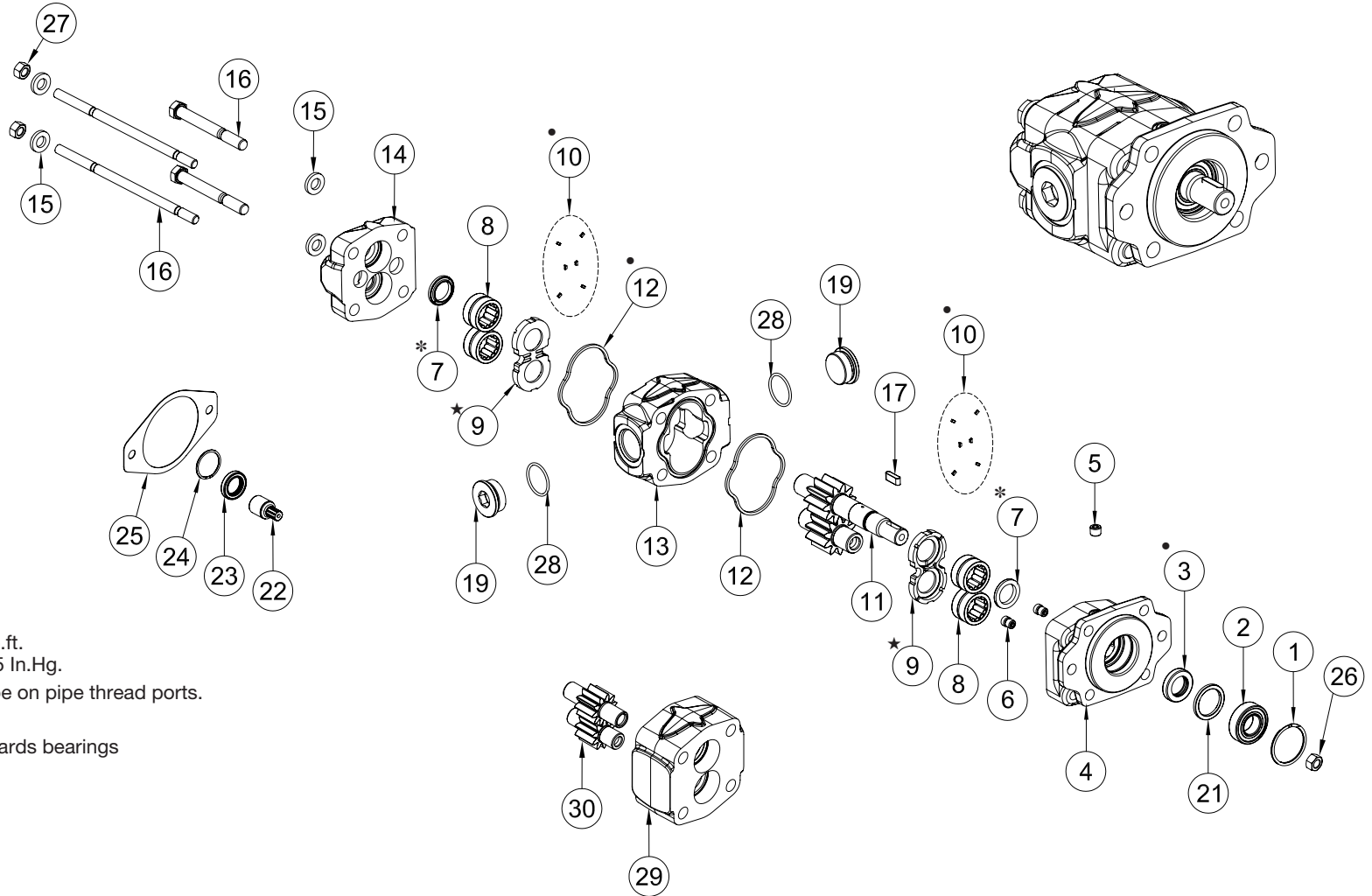




# K SERIES PUMP/MOTOR SERVICE PARTS

DESIGN NUMBER 1



NOTE: Torque bolts to 175 lb.ft.  
Maximum vacuum is 5 In.Hg.  
Do not use Teflon Tape on pipe thread ports.

- \* Ring seal slot goes towards bearings
- Included in seal kit
- ,★ Included in rebuild kit



SP08-02 (Rev. 1-10) Printed in the U.S.A.  
© Muncie Power Products, Inc. 2010

**Muncie Power Products, Inc.** Member of the Interpump Hydraulics Group  
General Offices and Distribution Center • P.O. Box 548 • Muncie, IN 47308-0548  
(765) 284-7721 • FAX (765) 284-6991 • E-mail info@munciepower.com  
Web site <http://www.munciepower.com>

Drive Products, Exclusive Agents for Canada, ISO Certified by an Accredited Registrar



# K SERIES PUMP/MOTOR SERVICE PARTS

Item	Description	Qty	Muncie Number
1	Spacer Snap Ring.....	1	PS1-1004-D
2	O.B. Bearing 7/8 Round .....	1	PK1-1002
3	• Shaft Seal High Pressure (GFN) .....	1	PS1-1005
	Shaft Seal Low Pressure (BUN) .....	1	PK1-1005
4	Front Cover		
	SAE A Flange 2 bolt .....	1	PK1-1007-ALPAB
	SAE B Flange 2 bolt short .....	1	PK1-1007-HSXXX
	SAE B Flange 4 bolt .....	1	PK1-1007-KLPAB
	SAE B Flange 6 bolt .....	1	PK1-1007-BLPAB
	G Flange .....	1	PK1-1007-GSXXX
	Remote Mount .....	1	PK1-1007-RLPAB
	Clutch Pump Remote Mount.....	1	PK1-1007-RLPABC
5	Pipe Plug -4 NPTF .....	1	HHPP-4Z
6	Check Valve Assembly .....	2	PS1-1010
7	Ring Seal .....	2 or 3(RV)	PS1-1008
8	Bearing .....	4	PS1-1013
9	★ Wear Plate .....	2	PS1-1014
10	• Pocket Seals (12 Pieces) .....	1	PS1-1009-SK
11	Gear Set		
	<b>3/4-11T</b>	8GPM .....	1 PK1-1016-S16-08-2
		11GPM .....	1 PK1-1016-S16-11-2
		13GPM .....	1 PK1-1016-S16-13-2
	<b>7/8-13T</b>	4GPM .....	1 PK1-1016-S02-04-2
		6GPM .....	1 PS1-1016-S02-06-2
		8GPM .....	1 PK1-1016-S02-08-2
		11GPM .....	1 PK1-1016-S02-11-2
		13GPM .....	1 PS1-1016-S02-11-2
		15GPM .....	1 PK1-1016-S02-15-2
		17GPM .....	1 PS1-1016-S02-15-2
	<b>7/8-13T (Short)</b>	8GPM .....	1 PKS1-1016-S02-08-2
		11GPM .....	1 PKS1-1016-S02-11-2
		13GPM .....	1 PKS1-1016-S02-13-2
		15GPM .....	1 PKS1-1016-S02-15-2
		17GPM .....	1 PKS1-1016-S02-17-2
	<b>7/8-13T Tandem</b>	8GPM .....	1 PK1-1016-S02-08-TV2
		11GPM .....	1 PK1-1016-S02-11-TV2
		13GPM .....	1 PK1-1016-S02-13-TV2
	<b>7/8-13T Tandem (Short)</b>	13GPM .....	1 PKS1-1016-S02-13T2
		17GPM .....	1 PKS1-1016-S02-17T2
	<b>7/8 Rnd. Shaft</b>	4GPM .....	1 PK1-1016-K09-04-2
		6GPM .....	1 PK1-1016-K09-06-2
		8GPM .....	1 PK1-1016-K09-08-2
		11GPM .....	1 PK1-1016-K09-11-2
		13GPM .....	1 PK1-1016-K09-13-2
		15GPM .....	1 PK1-1016-K09-15-2
		17GPM .....	1 PK1-1016-K09-17-2
	<b>7/8 Rnd. Shaft Tandem</b>	6GPM .....	1 PK1-1016-K09-06-TV2
	1.0"-15T	17GPM .....	1 PK1-1016-S17-17-2
	Tapered	13GPM .....	1 PK1-1016-T04-13-2

Item	Description	Qty	Muncie Number
12	• Body Seal .....	2	PS1-1015
13	Body		
	4GPM -8NPT x -8NPT .....	1	PK1-1025-04-PBN
	6GPM -12NPT x -12NPT.....	1	PK1-1025-06-PBX
	8GPM -16NPT x -16NPT.....	1	PK1-1025-08-PCH
	11GPM -16NPT x -16NPT.....	1	PK1-1025-11-PCH
	13GPM -20NPT x -20NPT.....	1	PK1-1025-13-PCR
	15GPM -20NPT x -20NPT.....	1	PK1-1025-15-PCR
	17GPM -20NPT x -20NPT.....	1	PK1-1025-17-PCR
	4GPM -10SAE x -10SAE .....	1	PK1-1025-04-SFM
	6GPM -12SAE x -12SAE .....	1	PK1-1025-06-SBX
	8GPM -16SAE x -16SAE .....	1	PK1-1025-08-SGI
	11GPM -16SAE x -16SAE .....	1	PK1-1025-11-SGI
	13GPM -20SAE x -20SAE .....	1	PK1-1025-13-SGT
	15GPM -20SAE x -20SAE .....	1	PK1-1025-15-SGT
	17GPM -20SAE x -20SAE .....	1	PK1-1025-17-SGT
	13GPM TSP -16SAE x -16SAE ..	2	PK1-1025-13-SGI
	17GPM TSP -16SAE x -16SAE ..	2	PK1-1025-17-SGI
14	Rear Cover		
	-16NPT x -16NPT .....	1	PK1-1026-PCH
	-16SAE x -16SAE .....	1	PK1-1026-SGI
	Machined for RV, SAE .....	1	PK1-1026-SDRRV
	Tandem Versatile .....	1	PK1-1026-TVH
15	Washer .....	4	PS1-1029
16	Capscrew		
	4GPM (9/16-12UNC x 4).....	4	PS1-1028-06
	6GPM (9/16-12UNC x 4-1/4) ..	4	PK1-1028-06
	8GPM (9/16-12UNC x 4-1/2) ..	4	PK1-1028-11
	11GPM (9/16-12UNC x 4-1/2) ..	4	PK1-1028-11
	13GPM (9/16-12UNC x 5).....	4	PK1-1028-15
	15GPM (9/16-12UNC x 5-1/2) ..	4	PS1-1028-11
	17GPM (9/16-12UNC x 5-1/2) ..	4	PK1-1028-17
	17GPM (9/16-12UNC x 5-3/4) ..	4	PS1-1028-15
	Stud		
	TSP (9/16-12UNC x 10-1/2) .....	2	PK1-1028-307S
	TSP (9/16-12UNC x 11-1/2) .....	2	PK1-1028-317S
	TSP (9/16-12UNC x 12-1/2) .....	2	PK1-1028-322S
17	Key .....	1	PK1-1017
	Woodruf Key (Tapered) .....	1	PH1-1017-W
19	Port Plug		
	-8 NPTF.....	2	HHPP-8Z
	-12 NPTF.....	2	HHPP-12Z
	-16 NPTF.....	2	HHPP-16Z
	-20 NPTF.....	2	HHPP-20Z
	1-1/16-12UN SAE J514 .....	2	HHBP-12Z
	1-5/16-12UN SAE J514 .....	2	HHBP-16Z
	1-5/8-12UN SAE J514 .....	2	HHBP-20Z
21	Seal Spacer .....	1	PS1-1002D
	Seal Spacer (Short) .....	1	PS1-1001D

Item	Description	Qty	Muncie Number
22	Connection Shaft Tandem		
	Versatile 7/8-13T .....	1	PK1-1033-TV
	Shortstack .....	1	PK1-1033-TS
23	Connection Shaft Seal TV Only.....	1	PL1-1005
24	Connection Shaft Seal Snap Ring TV Only ..	1	PL1-1004
25	Rear Flange Gasket for TV .....	1	PL1-1032-TV
26	Nut (1/2-20UNF) (tapered only clutch mount) ..	1	PH1-1020
27	Nut (9/16-12UNC) (TSP Only) .....	4	PK1-1020
28	O-Ring		
	0.76x0.10 (For HHBP-10) .....	2	BOR-10
	0.92x0.12 (For HHBP-12) .....	2	BOR-12
	1.18x0.12 (For HHBP-16) .....	2	BOR-16
	1.47x0.12 (For HHBP-20) .....	2	BOR-20
29	Bearing Carrier Unported TSP .....	1	PK1-1031-XX
30	Tandem Idler Set		
	13GPM .....	1	PK1-1023-13-2TV
	17GPM .....	1	PK1-1023-17-2TV

KITS	Description	Muncie Number
N.S.	Seal Kit	
	"K" Series Standard .....	kit GSK-PK-12
	"KS" Trim .....	kit GSK-PKS-12
	Rebuild Kit .....	kit RBK-PK-12
	Bearing Kit .....	kit PS1-1013-K