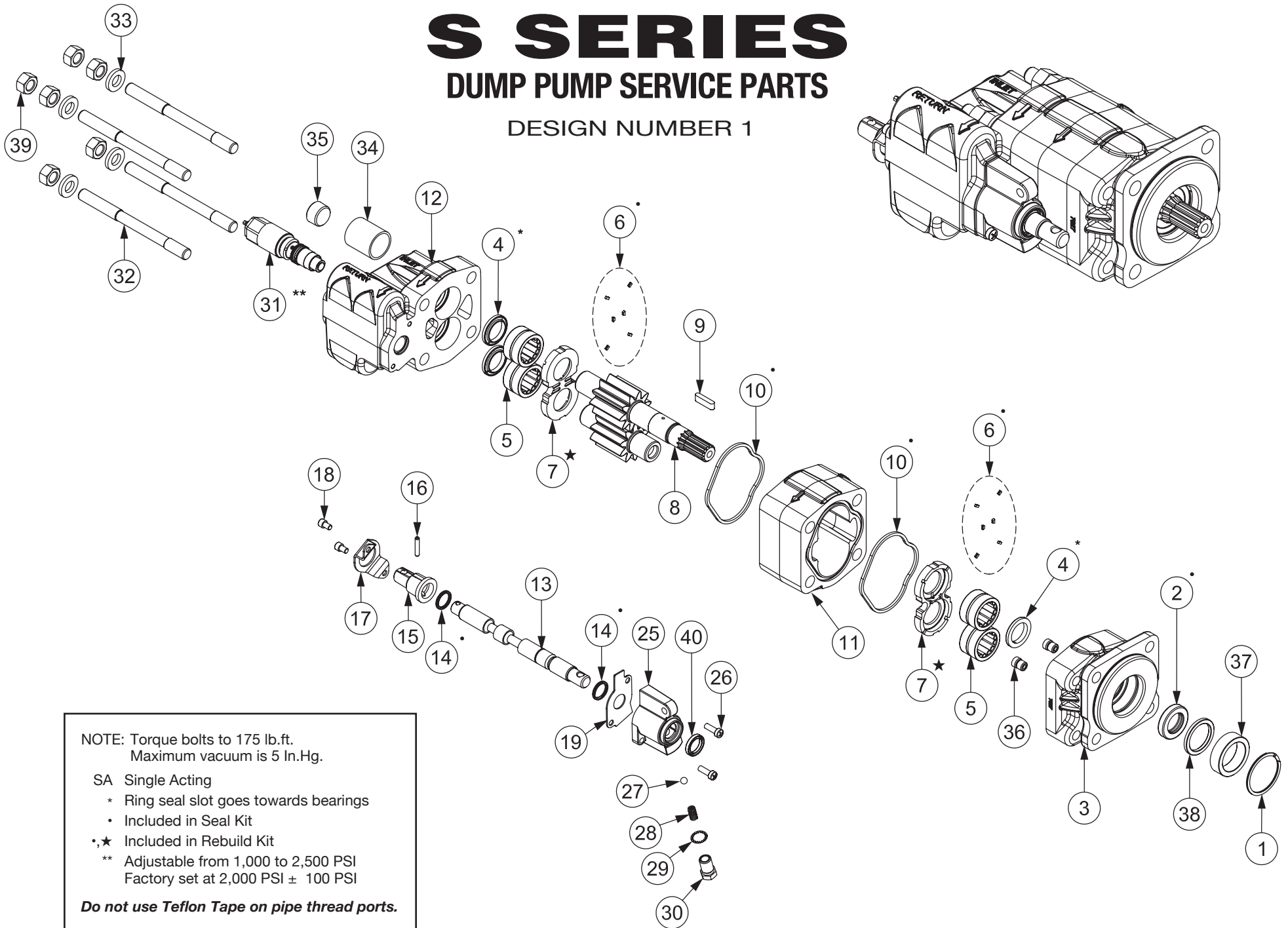
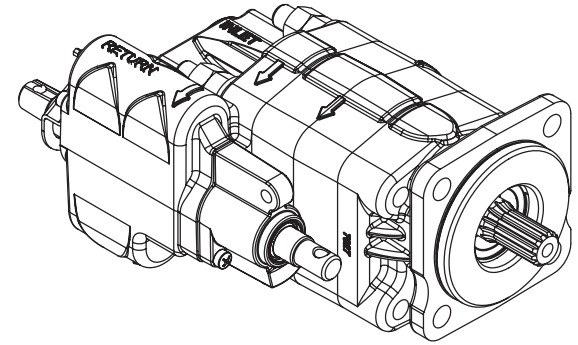


# S SERIES

## DUMP PUMP SERVICE PARTS

DESIGN NUMBER 1



NOTE: Torque bolts to 175 lb.ft.  
Maximum vacuum is 5 In.Hg.

SA Single Acting

\* Ring seal slot goes towards bearings

• Included in Seal Kit

•,★ Included in Rebuild Kit

\*\* Adjustable from 1,000 to 2,500 PSI  
Factory set at 2,000 PSI ± 100 PSI

**Do not use Teflon Tape on pipe thread ports.**

# S SERIES DUMP PUMP SERVICE PARTS

Item	Description	Qty	Muncie Number
1	Snap Ring Direct Mount	1	PS1-1004-D
	Snap Ring Remote Mount	2	PS1-1004-R
2	Shaft Seal High Pressure (GFN 1.06x1.69x0.35)	1 or 2	PS1-1005
3	Front Cover Direct Mount SAE B 4 Bolt	1	PS1-1007-KLXXX
	Front Cover Remote Mount	1	PS1-1007-RSXXX
4	Ring Seal	3	PS1-1008
5	Bearings	4	PS1-1013
6	Pocket Seals (12 pieces)	1	PS1-1009-SK
7	Wear plate	2	PS1-1014
8	Gear Set 7/8 - 13T 6 GPM Direct Mount	1	PS1-1016-S02-06-2
	Gear Set 7/8 - 13T 11 GPM Direct Mount	1	PS1-1016-S02-11-2
	Gear Set 7/8 - 13T 15 GPM Direct Mount	1	PS1-1016-S02-15-2
	Gear Set 1in. Round 6 GPM Remote Mount	1	PS1-1016-K01-06-2
	Gear Set 1in. Round 11 GPM Remote Mount	1	PS1-1016-K01-11-2
	Gear Set 1in. Round 15 GPM Remote Mount	1	PS1-1016-K01-15-2
9	Key Remote Mount (0.25x0.375x1.25)	1	PS1-1017
10	Body Seal	2	PS1-1015
11	Body 6 GPM	1	PS1-1025-06
	Body 11 GPM	1	PS1-1025-11
	Body 15 GPM	1	PS1-1025-15
12	Rear Cover Direct Mount	1	NA
	Rear Cover Remote Mount	1	NA
13	Valve Spool	1	NA
14	Spool O-Ring	2	PS1-1214-V
15	End Stop Cap	1	PS1-1215-V
16	Stop Pin	1	PS1-1216-V
17	Stop Bracket	1	PS1-1217-V
18	Bracket Screws (1/4-20UNC x 3/8)	2	PS1-1218-V
19	Cover Plate	1	PS1-1219-V
20	Snap Ring (N.S.)	1	PS1-1420-V
21	Spring Retainer (N.S.)	1	PS1-1421-V
22	Spring (N.S.)	1	PS1-1422-V
23	Spring Retainer (N.S.)	1	PS1-1423-V
24	Snap Ring (N.S.)	1	PS1-1424-V
25	Spool Cover (Detent)	1	PS1-1425-V
25a	Spool Cover (Spring) (N.S.)	1	PS1-1425-VS
26	Spool Cover Screws (1/4 - 20UNC x 3/4)	2	PS1-1426-V
27	Detent Ball (5/16)	1	PS1-1227-V

Item	Description	Qty	Muncie Number
28	Detent Spring	1	PS1-1228-V
29	Lock Washer	1	PS1-1229-V
30	Detent Spring Retainer	1	PS1-1230-V
31	Relief Valve Assembly	1	PS1-1231-V
32	Capscrew (6 GPM 9/16 - 12 UNC x 4)	2 or 4	PS1-1028-06
	Capscrew (11 GPM 9/16 - 12 UNC x 5.25)	2 or 4	PS1-1028-11
	Capscrew (15 GPM 9/16 - 12 UNC x 5.75)	2 or 4	PS1-1028-15
	Stud 6 GPM (9/16 - 12 UNC x 5.5)	2	PS1-1028-06-S
	Stud 11 GPM (9/16 - 12 UNC x 6.5)	2	PS1-1028-11-S
	Stud 15 GPM (9/16 - 12 UNC x 7.25)	2	PK1-1028-437-S
33	Lockwasher	4	PS1-1029
34	Conversion Sleeve (Optional)	1	AA-1257
35	Pipe Plug 3/4	1	HHPP-12Z
36	Check Valve Assembly	2	PS1-1010
37	Spacer (direct mount only)	1	PS1-1002-D
38	Snap Ring Retainer (direct mount only)	1	PS1-1001-D
39	Nut (9/16 - 12 UNC) (direct mount only)	6	PK1-1020
40	Spool Wiper Seal	1	PS1-1204-V

Gears are only sold in sets and cannot be serviced individually.  
Rear cover and valve spool are not sold as service parts.

Kits	Direct	Remote	Both
Seal & O-Ring Kit	GSK-S-121	GSK-S-122	—
<i>Includes Items 2, 6, 10, and 14</i>			
Rebuild Kit	RBK-S-121	RBK-S-122	—
<i>Includes Items 2, 6, 7, 10, and 14</i>			
Bearing Kit	—	—	PS1-1013K
Relief Valve Seal Kit (Screw Adj.)	—	—	GSK-S-12RVA
SA Air Shift Cyl. Kit (N.S.)	—	—	ACM-400, ACM-402
Spring Conversion Kit (N.S.)	—	—	SCK-S-12
<i>Includes Items 20, 21, 22, 23, 24 and 25a</i>			

\*\*\*Note: Double acting version not available - refer to SP88-01.

