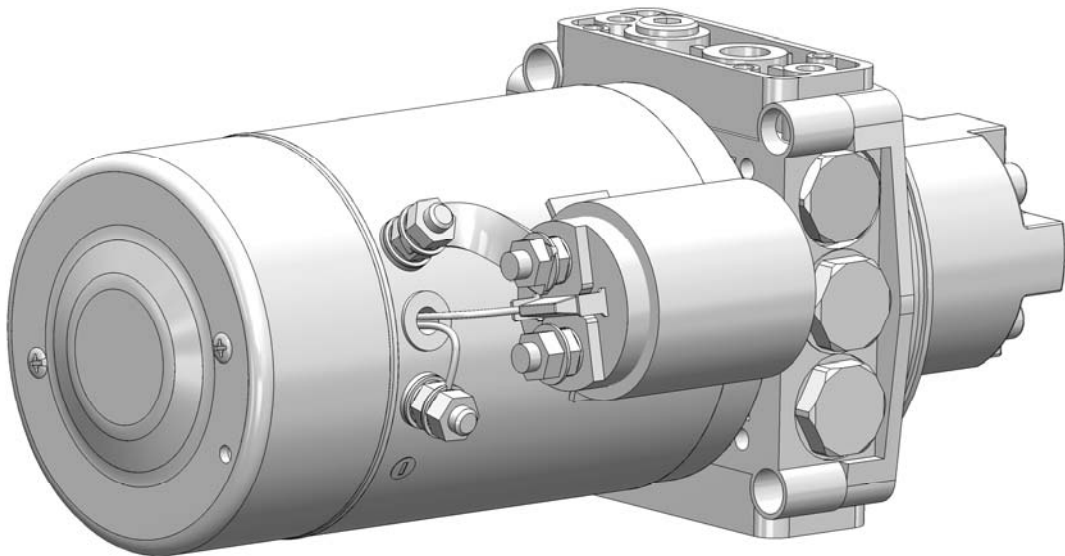


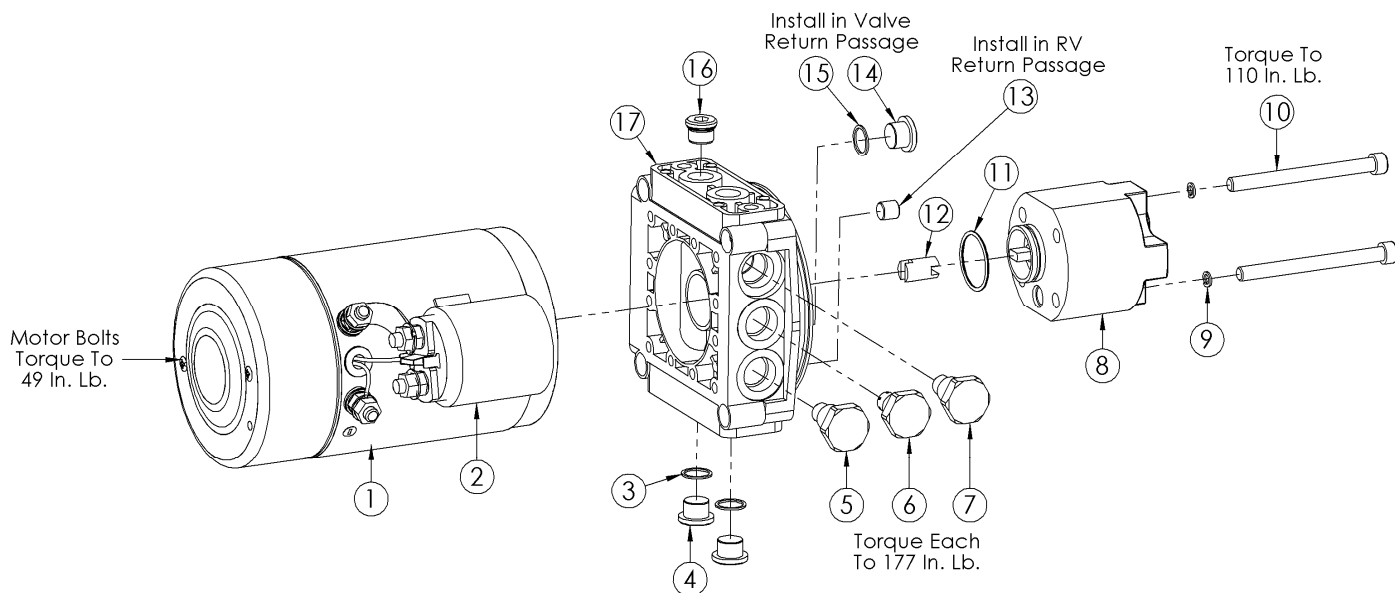
# Preliminary DC Power Pack

LP1A-0\*\*\*\*-000-A

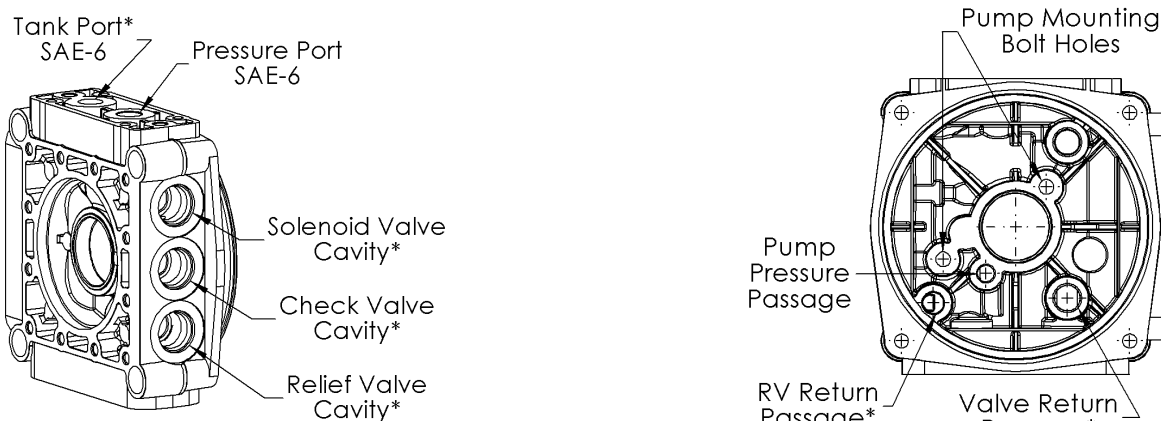
Parts List and Service Manual



**DCPP Exploded View (LP1A-0\*\*\*\*-000-A)**



**Central Manifold Details (Item 17)**



\*Where Applicable

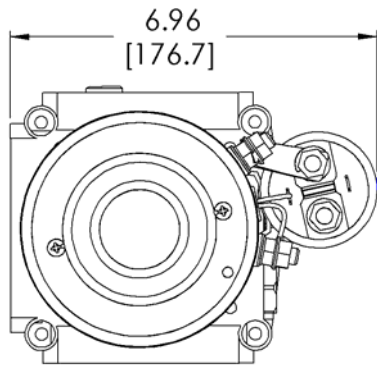
**DCPP Parts List (LP1A-0\*\*\*\*-000-A)**

<u>ITEM</u>	<u>QTY</u>	<u>PART NO.</u>	<u>DESCRIPTION</u>	<u>ITEM</u>	<u>QTY</u>	<u>PART NO.</u>	<u>DESCRIPTION</u>
<b>Detail A</b>							
01	1	56250A180LOH	12V DC Motor w/ 200A Relay	09	2	71F39008000B	M8 Lock Washer
02	1	56252120801H	200A Relay	10	2	71D15108085B	M8x85 Bolt (Pump 03/04)
03	2	71K12113000T	1/4" BSPP Copper Washer		2	71D15108090B	M8x90 Bolt (Pump 05/06)
04	2	090T801EA014	1/4" BSPP Plug		2	71D15108095B	M8x95 Bolt (Pump 07/08)
05	1	1201PA00078D	Relief Valve Cavity Plug	11	1	733B26202665	Pump Pilot O-ring
06	1	HHBP-8Z	Check Valve Cavity Plug	12	1	563422B20EET	Motor Connector Shaft
07	1	56328PA0078A	Solenoid Cavity Plug	13	1	71V28010016B	M12 Headless Plug
08	1	13B1W2D2ABBC	Pump 03 (0.061 cu. in.)	14	1	090T801EA014	1/4" BSPP Plug
	1	13B1W2D2BBBC	Pump 04 (0.076 cu. in.)	15	1	71K12113000T	1/4" BSPP Copper Washer
	1	13B1W2D2CBBC	Pump 05 (0.097 cu. in.)	16	1	HHBP-6Z	9/16-18 UNF Plug
	1	13B1W2D2EBBC	Pump 06 (0.122 cu. in.) - Std.	17	1	5620121031BT	Central Manifold
	1	13B1W2D2GBBC	Pump 07 (0.152 cu. in.)				
	1	13B1W2D2JBBC	Pump 08 (0.192 cu. in.)				

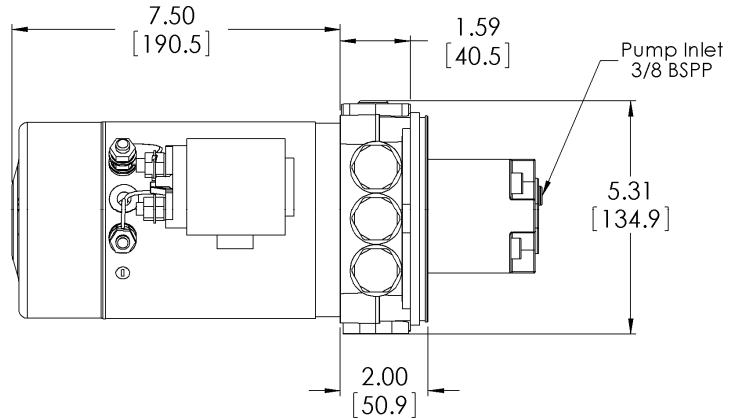
Preliminary  
**Dimensions (LP1A-0\*\*\*\*-000-A)**

In Inches (mm)

Front View



Side View



DC Power Pack Model Number Construction

<p>LP 1 A - 0 H X X 06 - 000 - A</p>																	
<p><b>DC Power Pack</b> - LP</p> <p><b>Design Number</b> - 1</p> <p><b>Motor 12V DC</b> - A</p> <p><b>Function</b></p> <p>Pump/Motor Only - 0</p> <p>Pump/Motor/Reservoir/Enclosure - 1</p> <p>Use mounting position V</p> <p>Pump/Motor/Reservoir/Manifold Mntg. - 2</p> <p>Pad for multiple functions**</p> <p>Pump/Motor/Reservoir/3-Way - 3</p> <p>Pump/Motor/Reservoir/4-Way - 4</p> <p><b>Mounting Position</b></p> <p>Horizontal (Std) - H</p> <p>Vertical (5.3 &amp; 8.5 Qt. Poly Only) - V</p> <p><b>Reservoir Type</b></p> <p>Steel - S</p> <p>Polyethylene (Std) - P</p> <p>None - X</p>	<p><b>Operator Control Device</b></p> <p>A - No Controls</p> <p>C - Corded Electronic Control</p> <p>M - Manual Control</p> <p><b>Assembly Code</b></p> <p>000 - Number increments for variations</p> <p><b>Pump Size</b></p> <p>03 - 1.00 cc/0.061 cu. in</p> <p>04 - 1.25 cc/0.076 cu. In.</p> <p>05 - 1.60 cc/0.097 cu. In.</p> <p>06 - 2.00 cc/0.122 cu. In. (Std)</p> <p>07 - 2.50 cc/0.152 cu. In.</p> <p>08 - 3.15 cc/0.192 cu. In.</p> <p><b>Reservoir Size*</b></p> <p>X - None</p> <table border="0"> <tr> <td><b>Steel</b></td> <td><b>Polyethylene</b></td> </tr> <tr> <td>A - 2.1 Qt. (2.0 L)</td> <td>F - 1.6 Qt. (1.5 L)</td> </tr> <tr> <td>B - 4.2 Qt. (4.0 L)</td> <td>H - 3.2 Qt. (3.0 L)</td> </tr> <tr> <td>C - 8.4 Qt. (8.0 L)</td> <td>J - 5.3 Qt (5.0 L)</td> </tr> <tr> <td>D - 10.5 Qt (10.0 L)</td> <td>K - 8.5 Qt. (8.0 L)</td> </tr> <tr> <td>E - 15.8 Qt. (15.0 L)</td> <td>L - 10.5 Qt.</td> </tr> <tr> <td>S - 8.4 Qt. (8.0 L)</td> <td>with enclosure</td> </tr> <tr> <td></td> <td>(Function Type 1 Only)</td> </tr> </table>	<b>Steel</b>	<b>Polyethylene</b>	A - 2.1 Qt. (2.0 L)	F - 1.6 Qt. (1.5 L)	B - 4.2 Qt. (4.0 L)	H - 3.2 Qt. (3.0 L)	C - 8.4 Qt. (8.0 L)	J - 5.3 Qt (5.0 L)	D - 10.5 Qt (10.0 L)	K - 8.5 Qt. (8.0 L)	E - 15.8 Qt. (15.0 L)	L - 10.5 Qt.	S - 8.4 Qt. (8.0 L)	with enclosure		(Function Type 1 Only)
<b>Steel</b>	<b>Polyethylene</b>																
A - 2.1 Qt. (2.0 L)	F - 1.6 Qt. (1.5 L)																
B - 4.2 Qt. (4.0 L)	H - 3.2 Qt. (3.0 L)																
C - 8.4 Qt. (8.0 L)	J - 5.3 Qt (5.0 L)																
D - 10.5 Qt (10.0 L)	K - 8.5 Qt. (8.0 L)																
E - 15.8 Qt. (15.0 L)	L - 10.5 Qt.																
S - 8.4 Qt. (8.0 L)	with enclosure																
	(Function Type 1 Only)																

\*Useable reservoir capacity is 10% less than shown. Please note that 4 Qt. = 1 Gallon (3.78 L)

\*\* Mounting plates and valves are sold separately, unless included in the assembly code.



Muncie Power Products, Inc. Member of the Interpump Hydraulics Group  
 General Offices and Distribution Center • P.O. Box 548 • Muncie, IN 47308-0548  
 (765)284-7721 • FAX • (765) 284-6991 • E-mail info@munciepower.com

