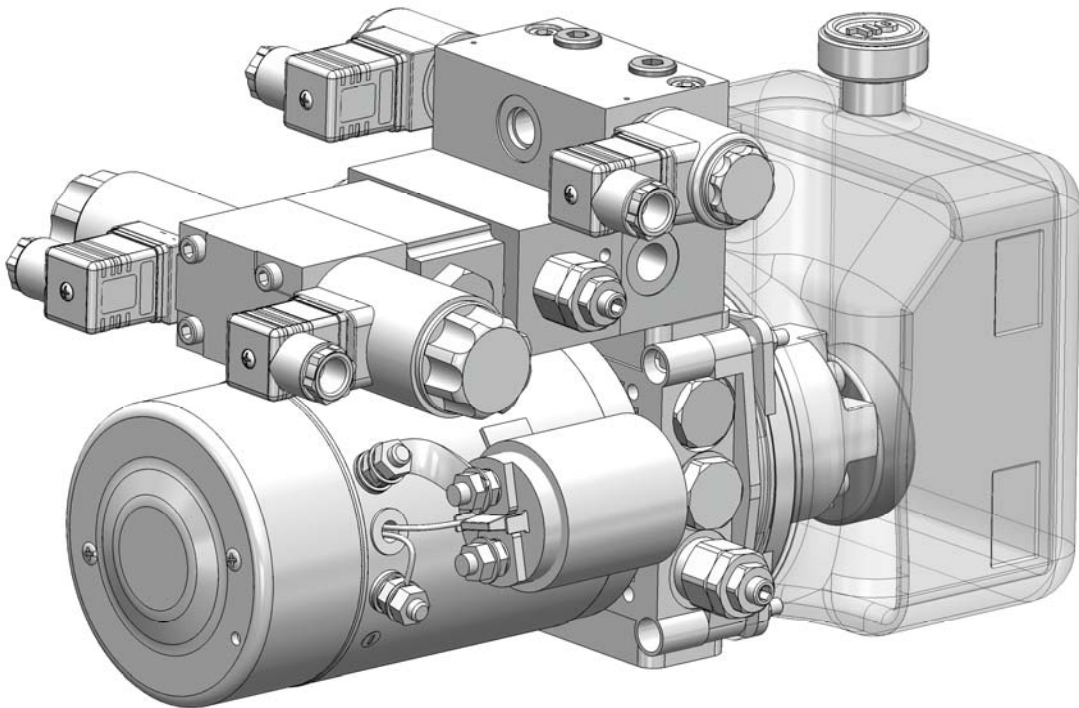


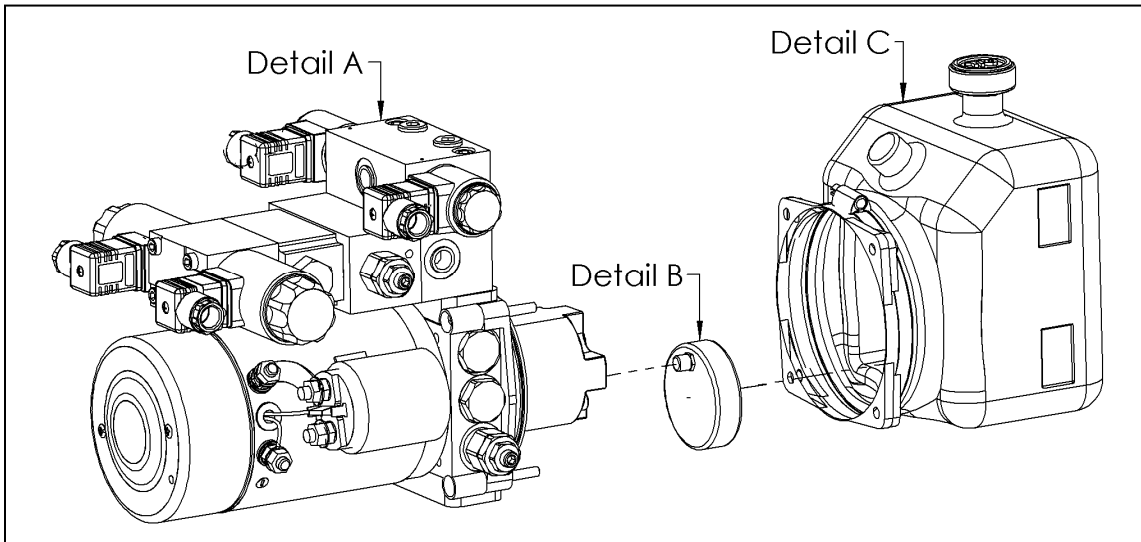
Preliminary DC Power Pack

LP1A-2****-100-C

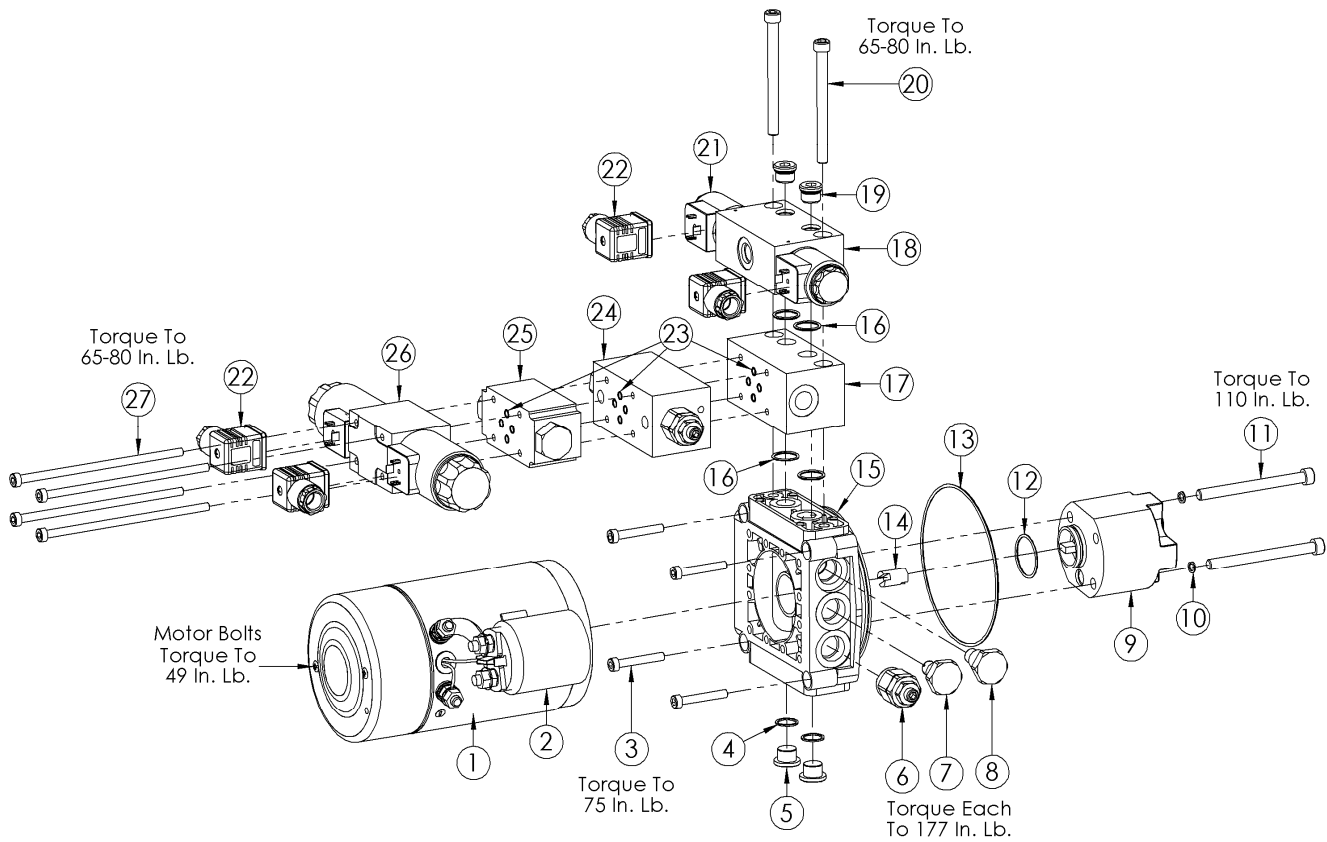
Parts List and Service Manual



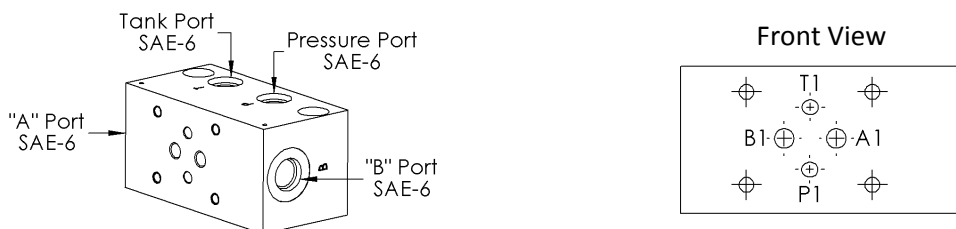
Preliminary
DCPP Exploded View (LP1A-2****-100-C)



Detail A – Central Manifold with Motor & Pump Assembly

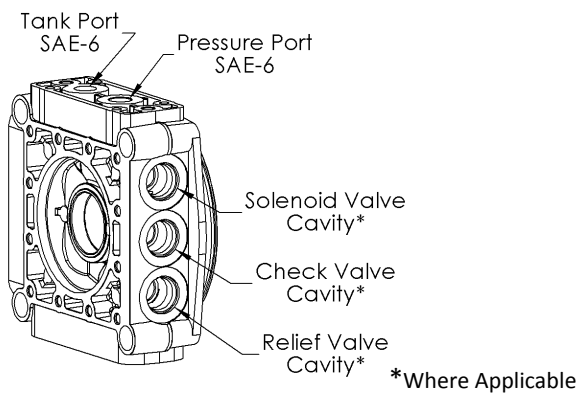


Adapter/Accessory Blocks Details (Item 17, 18, 24 & 25)

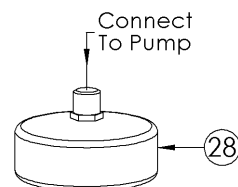


Note: Items 17 & 18 (adapter blocks) contain “P” and “T” ports on the top portion of the block.
 Items 17, 24 & 25 (adapter/accessory blocks) contain “P1”, “T1”, “A1” & “B1” ports on the front portion of the block.

Central Manifold Details (Item 15)



Detail B – Suction Filter

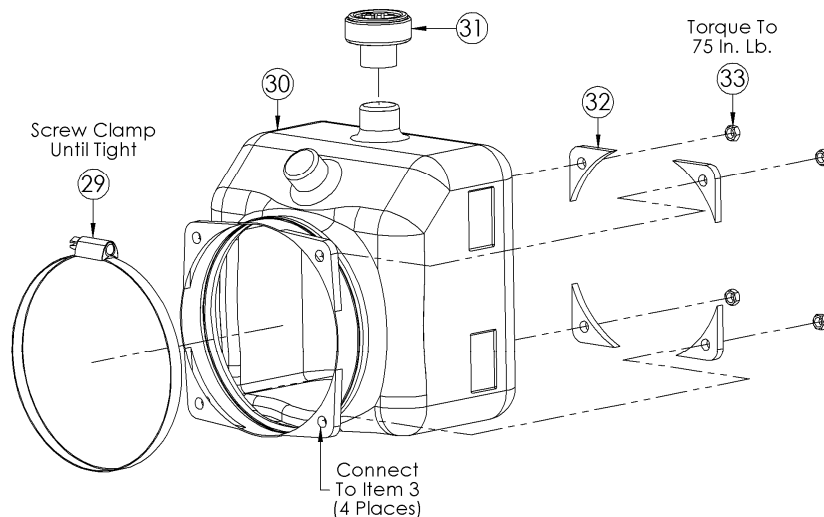
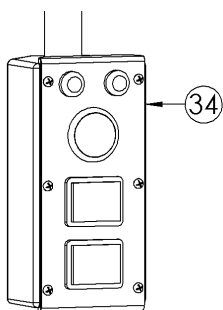


Detail C – Reservoir Assembly

1.6 Qt Reservoir Shown

Electrical Components

Snow Plow Corded Control

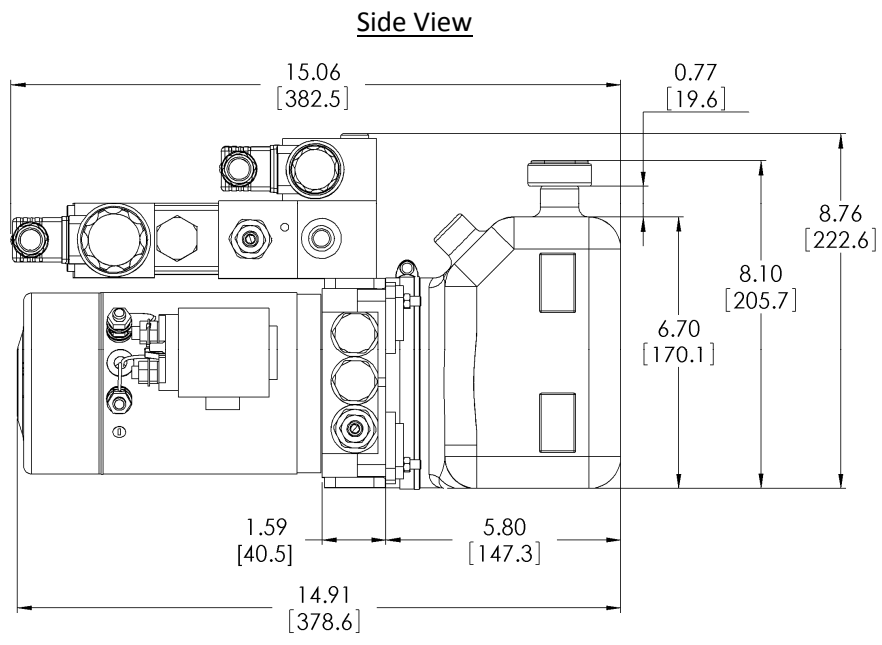
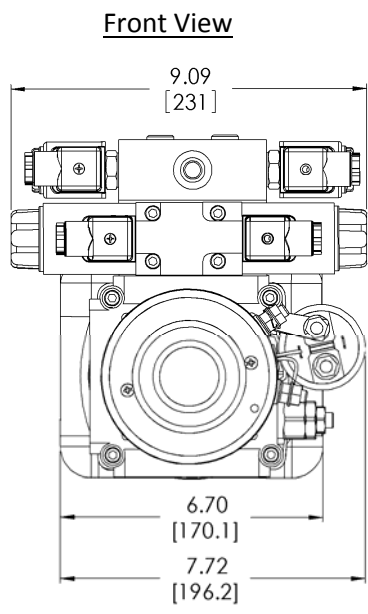


DCPP Parts List (LP1A-2**-100-C)**

ITEM	QTY	PART NO.	DESCRIPTION	ITEM	QTY	PART NO.	DESCRIPTION
Detail A							
01	1	56250A180L0H	12V DC Motor w/ 200A Relay	25	1	3224170005EK	NFPA Accessory Block - PO Check
02	1	56252120801H	200A Relay	26	1	0814B13EA00I	DIN Solenoid Valve 3P4W
03	4	71D15106040B	M6x40 Bolt	27	4	71D15105140B	M5x140 Bolt
04	2	71K12113000T	1/4" BSPP Copper Washer	Detail B			
05	2	090T80IEA014	1/4" BSPP Plug	28	1	56233D14HACA	Suction Filter
06	1	56203P31900V	Relief Valve	Detail C			
07	1	562571L3005E	Check Valve	29	1	71P03197127B	Worm Drive Clamp
08	1	56328PA0078A	Solenoid Cavity Plug	30	1	56220201B00E	1.6 Q Poly Horizontal - F
09	1	13B1W2D2ABBC	Pump 03 (0.061 cu. in.)	1	1	56220201B02E*	1.6 Q Poly Vertical - F
	1	13B1W2D2BBBC	Pump 04 (0.076 cu. in.)	1	1	56220301B00E*	3.2 Q Poly Horizontal - H
	1	13B1W2D2CBBC	Pump 05 (0.097 cu. in.)	1	1	56220301B02E*	3.2 Q Poly Vertical - H
	1	13B1W2D2EBBC	Pump 06 (0.122 cu. in.) (Std.)	1	1	56220501B00E*	5.3 Q Poly Horizontal - J (Std.)
	1	13B1W2D2GBBC	Pump 07 (0.152 cu. in.)	1	1	56220501B02E*	5.3 Q Poly Vertical - J
	1	13B1W2D2JBBC	Pump 08 (0.192 cu. in.)	1	1	56220701B00E*	8.5 Q Poly Horizontal - K
10	2	71F39008000B	M8 Lock Washer	1	1	56220701B02E*	8.5 Q Poly Vertical - K
11	2	71D15108085B	M8x85 Bolt (Pump 03/04)	1	1	56220301B04E*	8.5 Q Poly Horizontal - K (Center Port)
	2	71D15108090B	M8x90 Bolt (Pump 05/06)	1	1	56221203A23Z*	2.1 Q Steel Horizontal - A
	2	71D15108095B	M8x95 Bolt (Pump 07/08)	1	1	56221403A23Z*	4.2 Q Steel Horizontal - B
12	1	733B26202665	Pump Pilot O-ring	1	1	56221833A23Z*	8.4 Q Steel Horizontal - S
13	1	733B35311390	O-ring	1	1	56221803B23Z*	8.4 Q Steel Horizontal - C
14	1	563422B20EET	Motor Connector Shaft	1	1	56221A03B23Z*	10.5 Q Steel Horizontal - D
15	1	5620121031BT	Central Manifold	1	1	56221A53B23Z*	15.8 Q Steel Horizontal - E
16	4	733B17801717	O-ring	31	1	39G57B000COC	Breather Cap (Res. Type F, H, J & K)
17	1	1201PV04330A	Adapter Block 9/16 - 18 UNF	1	1	39G52E000COC	Breather Cap (Res. Type C, D & E)
18	1	1201PV04350A	Adapter Block 9/16 - 18 UNF	1	1	39G52D000COC	Breather Cap (Res. Type A, B & S)
19	2	HHP-6Z	9/16 - 18 UNF Plug	32	4	2300PS05270Z	Poly Reservoir Mtg. Bracket
20	2	71D15108050B	M8x50 Bolt	33	4	71E14106000B	M6 Nut
21	2	562611M3137C	Cartridge Valve	34	1	150123019A8G	Corded Control (Snow Plow)
22	4	78C00100500A	DIN Connector	*Sold Separately/Special Order Only			
23	12	733B17800873	O-ring				
24	1	1201PV0017CT	NFPA Accessory Block - RV Valve				

Preliminary Dimensions (LP1A-2**-100-C)**

In Inches (mm)



DC Power Pack Model Number Construction

LP 1 A - 2 H P F 06 - 000 - C

<p>DC Power Pack – LP</p> <p>Design Number – 1</p> <p>Motor 12V DC – A</p> <p>Function Pump/Motor Only - 0 Pump/Motor/Reservoir/Enclosure - 1 Use mounting position V Pump/Motor/Reservoir/Manifold Mntg. - 2 Pad for multiple functions** Pump/Motor/Reservoir/3-Way - 3 Pump/Motor/Reservoir/4-Way - 4</p> <p>Mounting Position Horizontal (Std) - H Vertical (5.3 & 8.5 Qt. Poly Only) - V</p> <p>Reservoir Type Steel - S Polyethylene (Std) - P None - X</p>	<p>Operator Control Device A – No Controls C – Corded Electronic Control M – Manual Control</p> <p>Assembly Code 000 – Number increments for variations</p> <p>Pump Size 03 – 1.00 cc/0.061 cu. in 04 – 1.25 cc/0.076 cu. in. 05 – 1.60 cc/0.097 cu. In. 06 – 2.00 cc/0.122 cu. In. (Std) 07 – 2.50 cc/0.152 cu. In. 08 – 3.15 cc/0.192 cu. In.</p> <p>Reservoir Size* X - None</p> <table border="0"> <tr> <td>Steel</td> <td>Polyethylene</td> </tr> <tr> <td>A – 2.1 Qt. (2.0 L)</td> <td>F – 1.6 Qt. (1.5 L)</td> </tr> <tr> <td>B – 4.2 Qt. (4.0 L)</td> <td>H – 3.2 Qt. (3.0 L)</td> </tr> <tr> <td>C – 8.4 Qt. (8.0 L)</td> <td>J – 5.3 Qt (5.0 L)</td> </tr> <tr> <td>D – 10.5 Qt (10.0 L)</td> <td>K – 8.5 Qt. (8.0 L)</td> </tr> <tr> <td>E – 15.8 Qt. (15.0 L)</td> <td>L – 10.5 Qt. with enclosure</td> </tr> <tr> <td>S – 8.4 Qt. (8.0 L)</td> <td>(Function Type 1 Only)</td> </tr> </table>	Steel	Polyethylene	A – 2.1 Qt. (2.0 L)	F – 1.6 Qt. (1.5 L)	B – 4.2 Qt. (4.0 L)	H – 3.2 Qt. (3.0 L)	C – 8.4 Qt. (8.0 L)	J – 5.3 Qt (5.0 L)	D – 10.5 Qt (10.0 L)	K – 8.5 Qt. (8.0 L)	E – 15.8 Qt. (15.0 L)	L – 10.5 Qt. with enclosure	S – 8.4 Qt. (8.0 L)	(Function Type 1 Only)
Steel	Polyethylene														
A – 2.1 Qt. (2.0 L)	F – 1.6 Qt. (1.5 L)														
B – 4.2 Qt. (4.0 L)	H – 3.2 Qt. (3.0 L)														
C – 8.4 Qt. (8.0 L)	J – 5.3 Qt (5.0 L)														
D – 10.5 Qt (10.0 L)	K – 8.5 Qt. (8.0 L)														
E – 15.8 Qt. (15.0 L)	L – 10.5 Qt. with enclosure														
S – 8.4 Qt. (8.0 L)	(Function Type 1 Only)														

*Useable reservoir capacity is 10% less than shown. Please note that 4 Qt. = 1 Gallon (3.78 L)
 ** Mounting plates and valves are sold separately, unless included in the assembly code.



Muncie Power Products, Inc. Member of the Interpump Hydraulics Group
 General Offices and Distribution Center • P.O. Box 548 • Muncie, IN 47308-0548
 (765)284-7721 • FAX • (765) 284-6991 • E-mail info@munciepower.com
 Web site <http://www.munciepower.com>
 Drive Products, Exclusive Agents for Canada, ISO Certified by an Accredited Registrar

