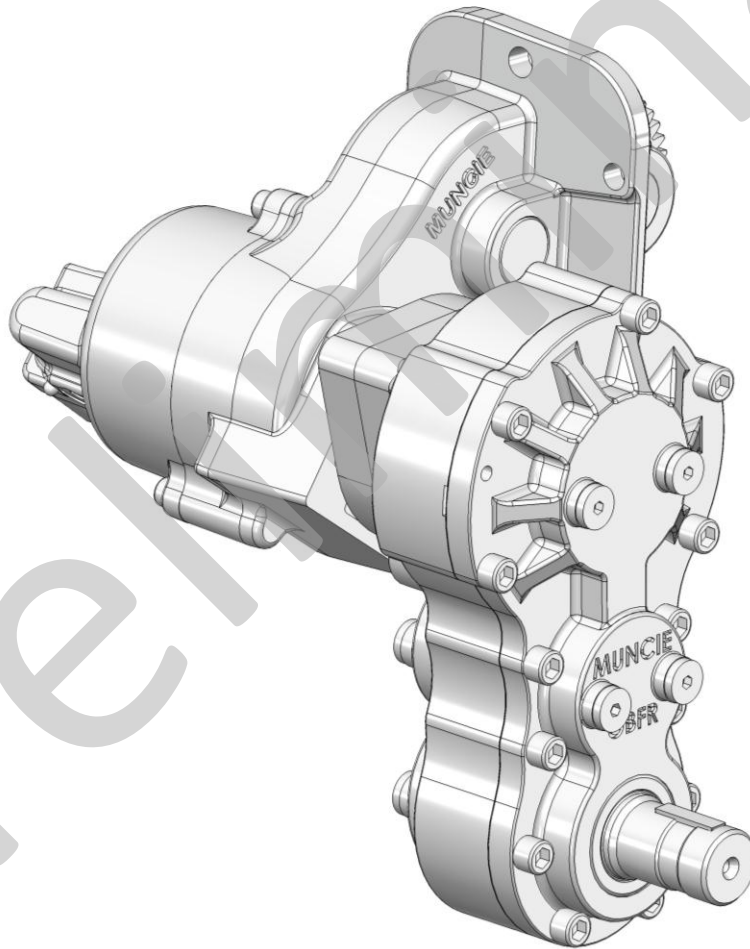




Muncie®
Power
Products

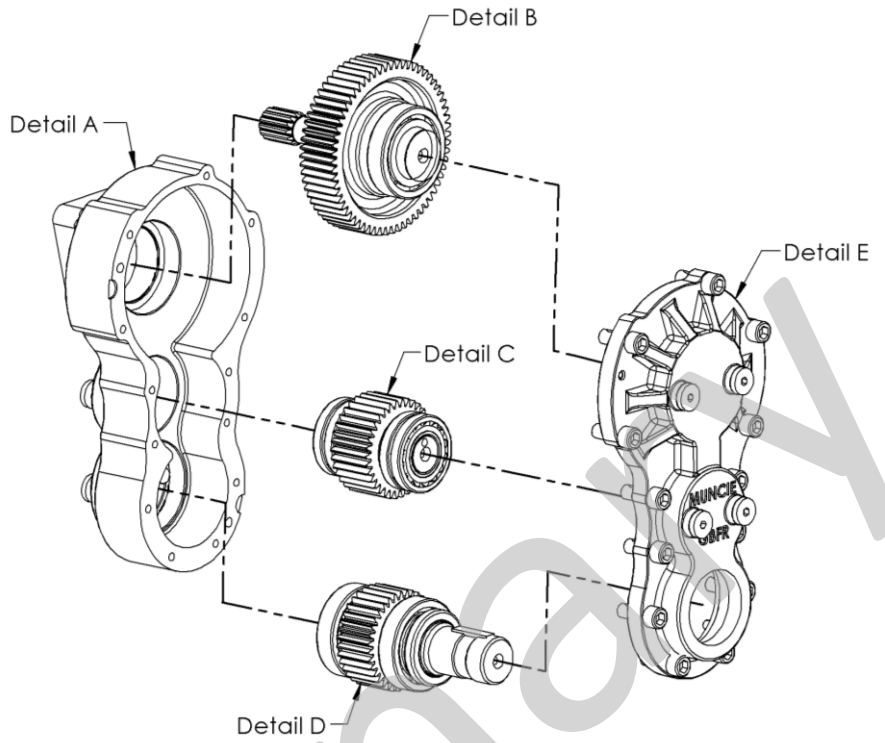
GBFR

Parts List and Service Manual



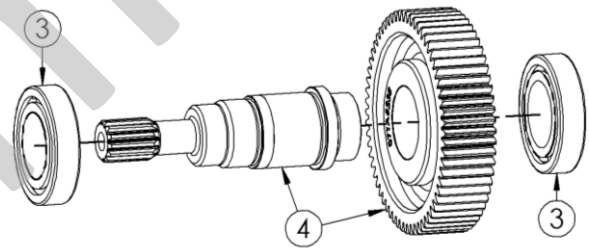
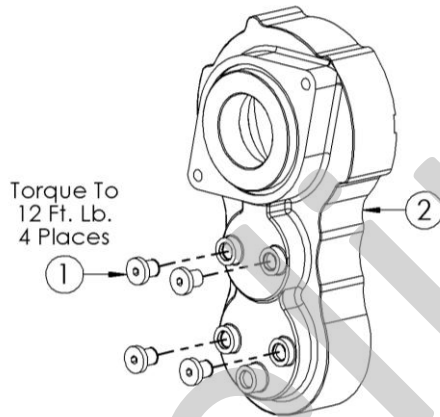
FR Series PTO is not included with the GBFR and is to be ordered separately

GBFR Exploded Views



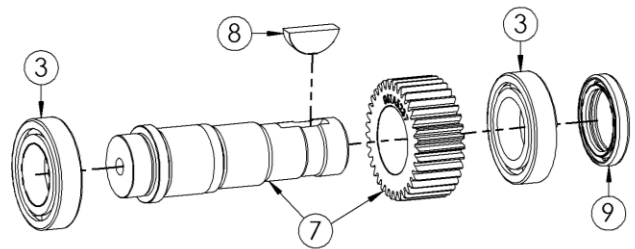
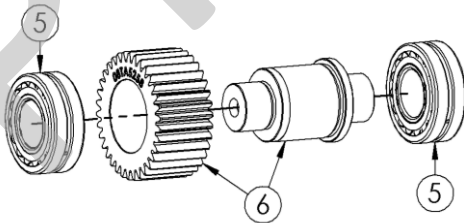
Detail A – Housing Assembly

Detail B – Input Shaft Assembly

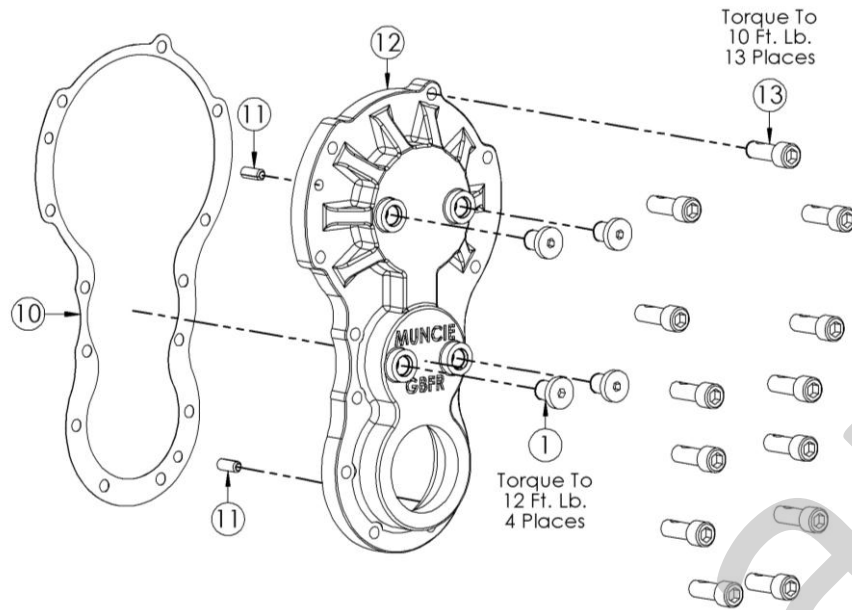


Detail C – Reverse Idler Shaft Assembly

Detail D – Output Shaft Assembly



Detail E – Housing Cover Assembly



Parts List and Description

<u>ITEM</u>	<u>QTY</u>	<u>PART NO</u>	<u>DESCRIPTION</u>	<u>ITEM</u>	<u>QTY</u>	<u>PART NO</u>	<u>DESCRIPTION</u>
<u>Detail A</u>				<u>Detail D</u>			
01	8	25T41463	Plug	07	1	06TA5237	Output Shaft Assembly ³
02	1	01T42283	GBFR Housing	08	1	26T01627	Key
<u>Detail B</u>				09	1	11T37790	Shaft Seal
03	4	10T40064	Bearing	<u>Detail E</u>			
04	1	07TA5238	Input Shaft Assembly ¹	10	1	13T42239	Gasket
<u>Detail C</u>				11	2	26T26112	Roll Pin
05	2	10T42076	Bearing	12	1	15T42282	Housing Cover
06	1	08TA5258	Idler Shaft Assembly ²	13	13	19T41162	Socket Head Capscrew

¹ 07TA5238 Input Shaft Assembly includes 07T41946 Input Shaft & 03T42314 Input Gear

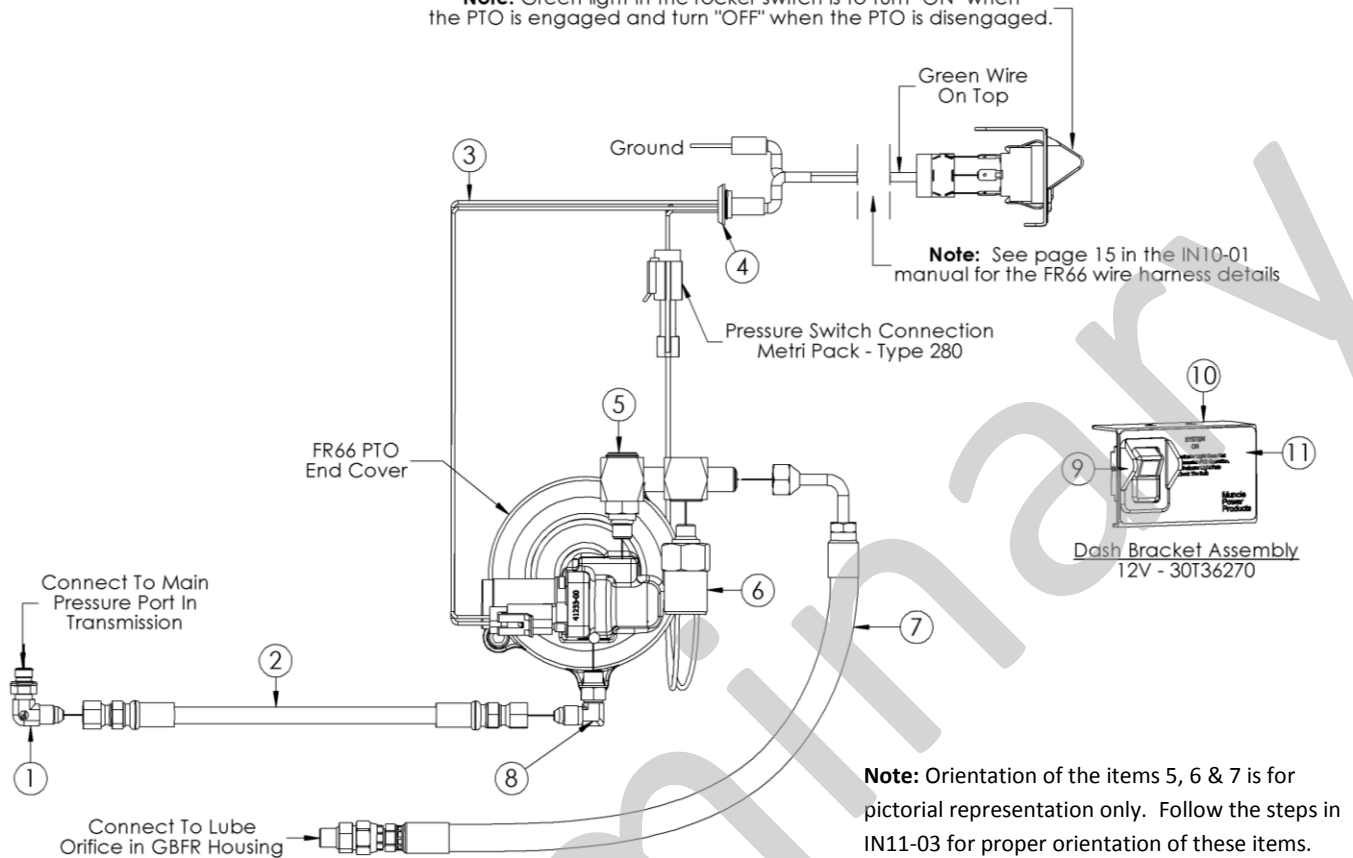
² 08TA5258 Reverse Idler Shaft Assembly includes 08T42008 Reverse Idler Shaft & 04T42315 Reverse Idler Gear

³ 06TA5237 Output Shaft Assembly includes 06T41948 Output Shaft & 02T42313 Output Gear

FR66 Activation Kit – 43TK5280

FR66 Electric/Hydraulic Shift System – “D” Activation Kit (GBFR)

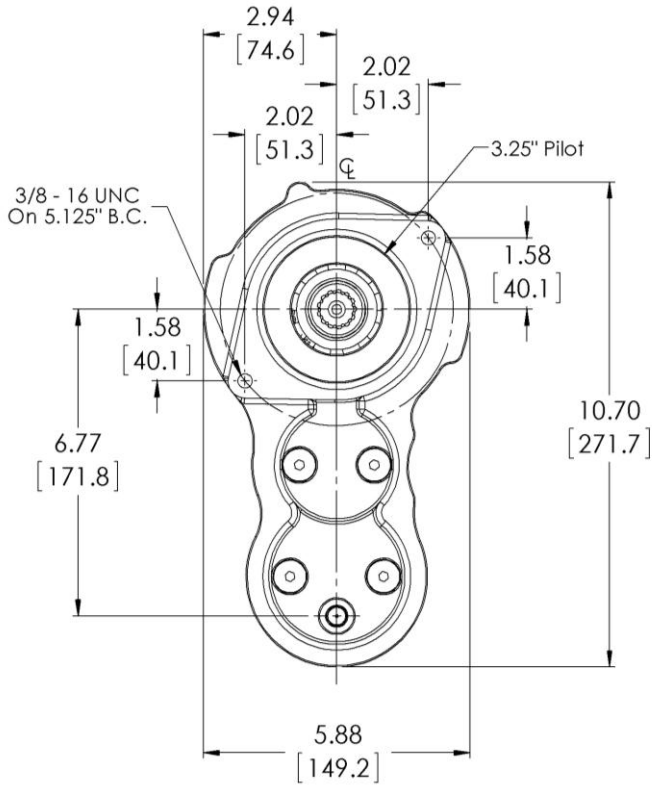
Note: Green light in the rocker switch is to turn "ON" when the PTO is engaged and turn "OFF" when the PTO is disengaged.



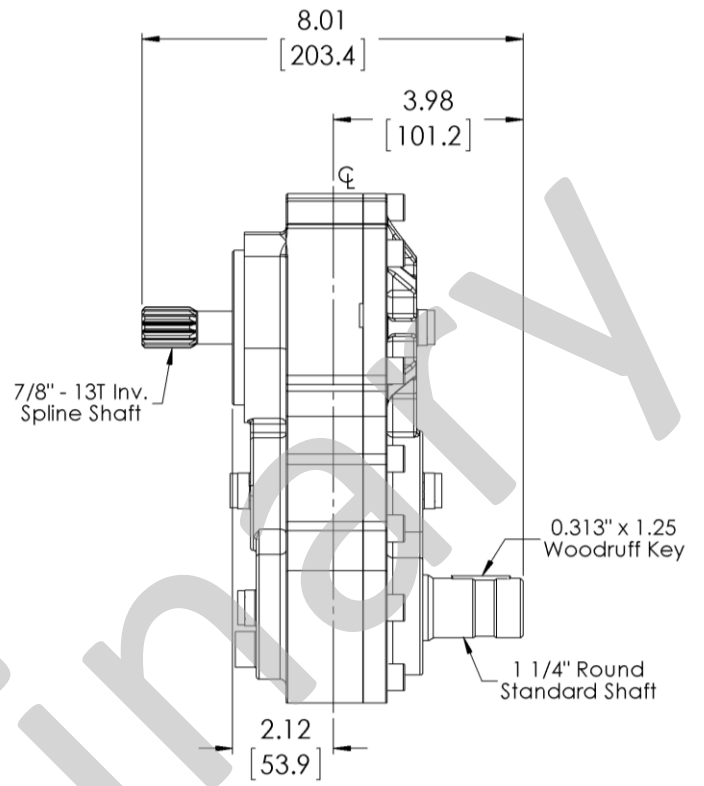
ITEM	QTY	PART NO	DESCRIPTION
1	1	43T41572	Fitting 90° (-4) M-JIC/10mm M-ORB
2	1	45T39186	17" Hose Assembly F-JIC/F-JIC
3	1	34T41671	FR66 Wire Harness
4	1	37T35674	Rubber Grommet
5	1	43T42369	Fitting (-4) M-ORFS/F-ORB/M-ORB
6	1	30T41642	Pressure Switch
7	1	45T42349	15" Hose Assembly 90° F-ORFS/M-ORB
8	1	43M68014*	JIC 90° Fitting
9	1	30T35687	Rocker Switch 12V
10	1	36MA1005	Switch Bracket
11	1	36T36271	Face Plate
N.S.	1	36MK1007	Dash Bracket Bolt Kit

*This fitting is included with the PTO and not included in the installation kit 43TK5280.

GBFR Dimensions
IN INCHES (MM)



Front View



Side View

Preliminary



Muncie Power Products, Inc. Member of the Interpump Hydraulics Group
 General Offices and Distribution Center • P.O. Box 548 • Muncie, IN 47308-0548
 (765)284-7721 • FAX • (765) 284-6991 • E-mail info@munciepower.com
 Web site <http://www.munciepower.com>



SP11-04 – Preliminary Printed in the U.S.A.
 © Muncie Power Products, Inc. 2011

Drive Products, Exclusive Agents for Canada, ISO Certified by an Accredited Registrar