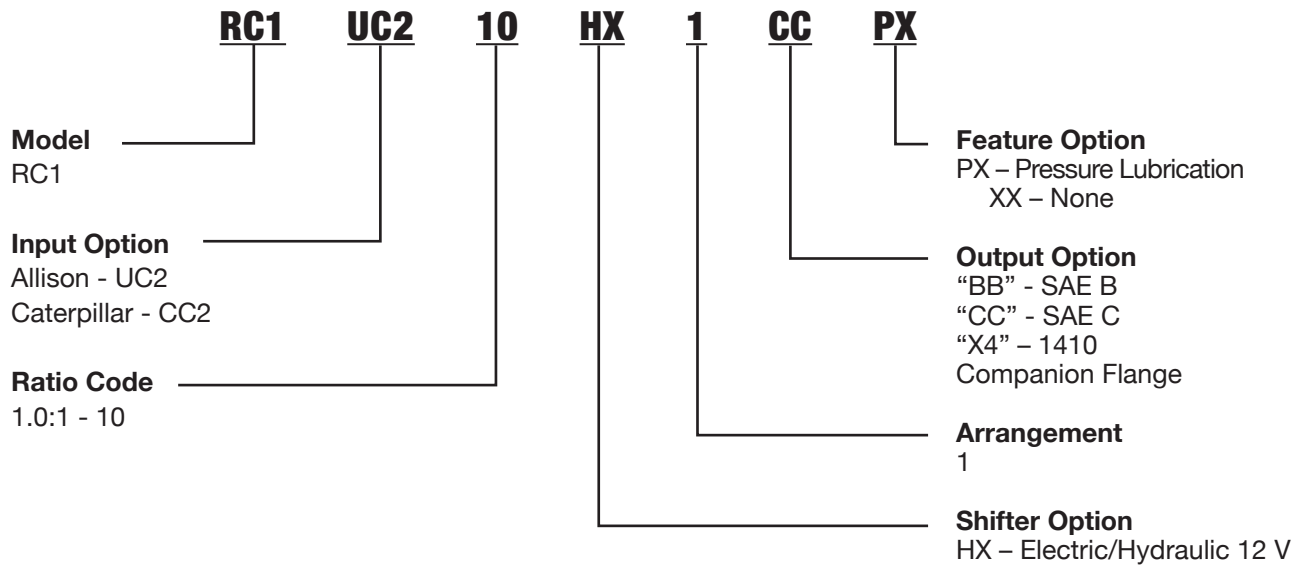


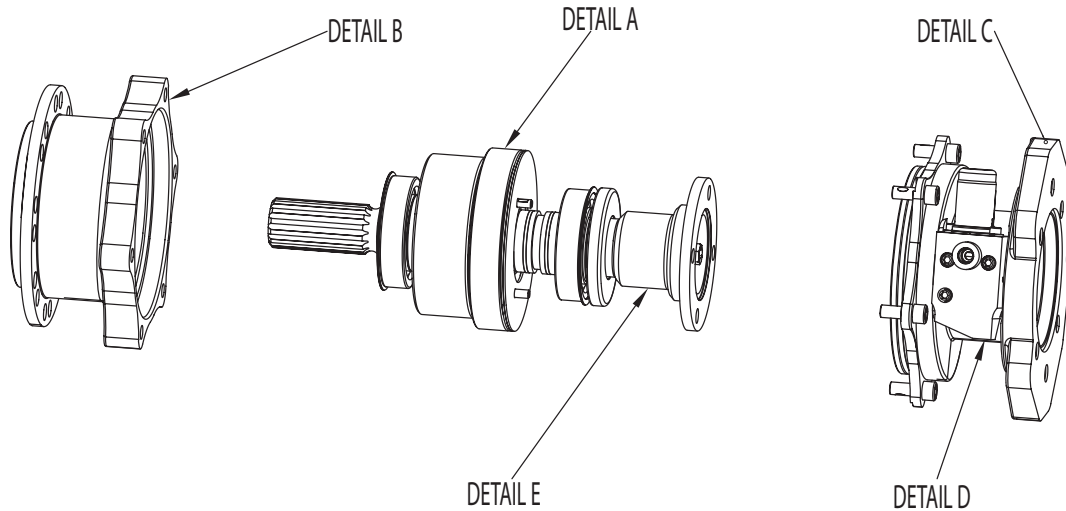
# RC SERIES REAR MOUNT PTO

## Parts List and Service Manual

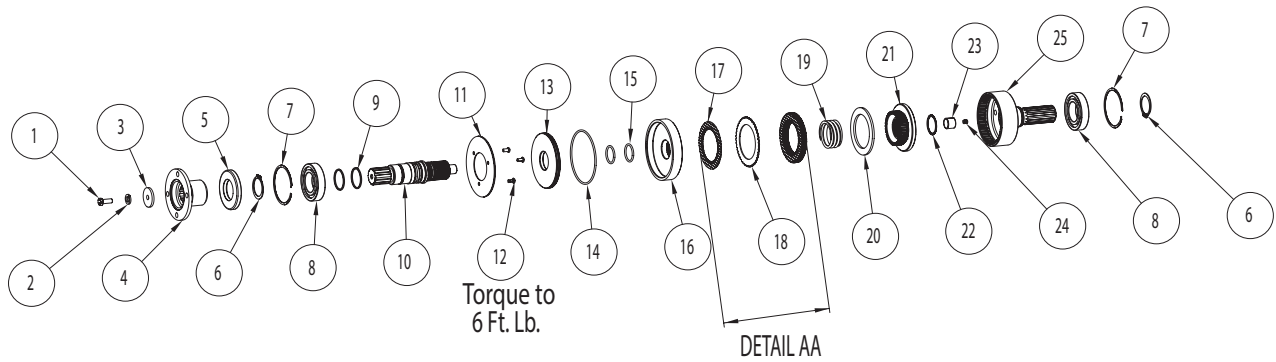
# MODEL NUMBER



# RC SERIES PTO EXPLODED VIEW



## DETAIL A – RC1 SHAFT ASSEMBLY PARTS



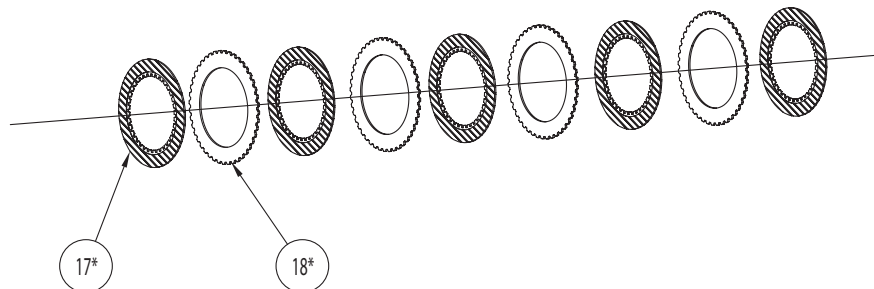
ITEM	QTY	PART NO	DESCRIPTION
1	1	19T20522	Hex Head Capscrew*
2	1	21T35276	Lock Washer*
3	1	21T20092	Washer*
4	1	14T31499	1410 Companion Flange*
5	1	11T42953	Seal*
6	2	24T38347	Retaining Ring - External
7	2	24T42735	Retaining Ring
8	2	10T35775	Ball Bearing Single Row, Radial
9	2	12T42749	Seal Ring, Hook

ITEM	QTY	PART NO	DESCRIPTION
10	1	06T43307	Shaft, Output – “X4” Option
	1	06T42728	Shaft, Output – SAE “C” Option
	1	06T43279	Shaft, Output – SAE “B” Option
11	1	49T42732	Friction Plate
12	3	19T41164	Capscrew
13	1	49T42729	Clutch Piston
14	1	12T42737	O-Ring, Viton
15	2	12T42739	O-Ring, Viton
16	1	49T42730	Clutch Cap

ITEM	QTY	PART NO	DESCRIPTION
17	5	49T33564	Friction Disc
18	4	49T33563	Steel Spacer Disc
19	1	27T38791	Spring
20	1	18T42740	Spacer
21	1	49T42731	Clutch Hub
22	1	24T42736	Retaining Ring
23	1	49T42910	Bushing - 13DU12
24	1	25T42810	Expanding Plug
25	1	07T43156	Shaft, Input – Caterpillar
	1	07T42727	Shaft, Input - Allison

\* These items are only included in the RC Series PTO with “X4” Output Option.

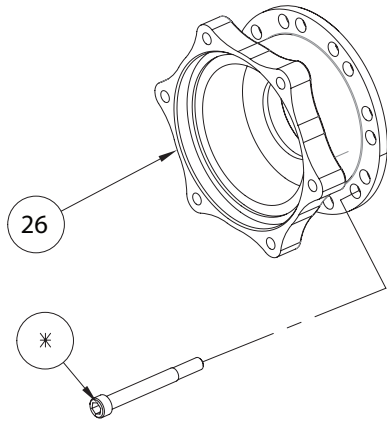
## DETAIL AA – CLUTCH PACK ASSEMBLY (DISC LOCATION)\*\*



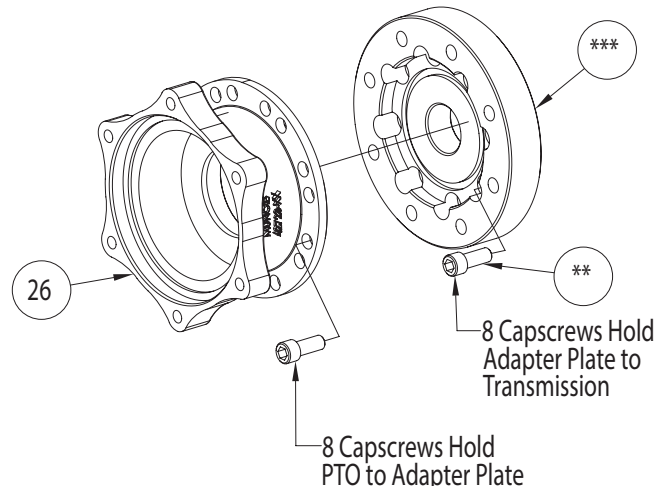
\* See RC1 Shaft Assembly Parts List for part numbers.

\*\* The clutch pack assembly contains a friction disc followed by a spacer disc. The assembly should begin and end with a friction disc.

# DETAIL B - RC1 PTO HOUSING



Detail B – RC1 PTO Housing (Allison)



Detail B – RC1 PTO Housing (Caterpillar)

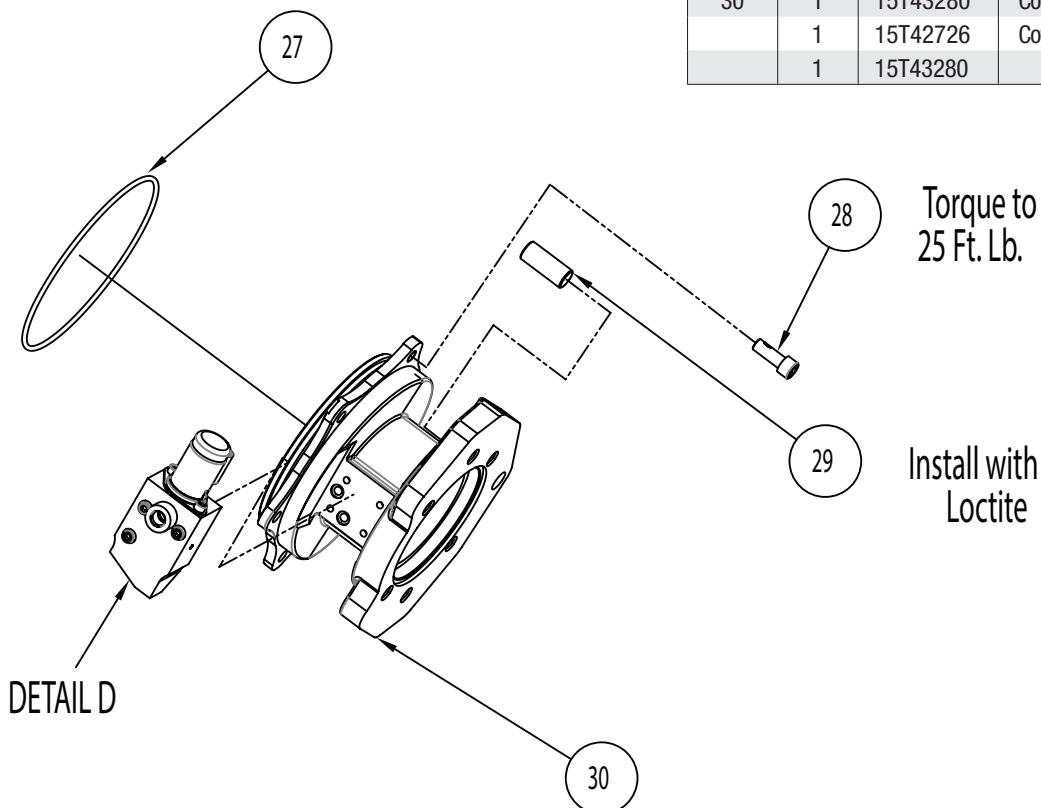
8 Capscrews Hold Adapter Plate to Transmission

8 Capscrews Hold PTO to Adapter Plate

ITEM	QTY	PART NO	DESCRIPTION
26	1	01T42724	PTO Housing
*	4	19T43221	Capscrew from 48TK5509
**	16	19T43186	Capscrew from 48TK5406
***	1	41T42866	Caterpillar Adapter Plate

# DETAIL C - PTO COVER AND SOLENOID ASSEMBLY PARTS

ITEM	QTY	PART NO	DESCRIPTION
27	1	12T42738	O-Ring, Viton
28	6	19T39418	Socket Head Capscrew
29	1	26T43265	Pin, Support
30	1	15T43280	Cover Housing – SAE “B” Output Shaft
	1	15T42726	Cover Housing – SAE “C” Output Shaft
	1	15T43280	Cover Housing – “X4” Option

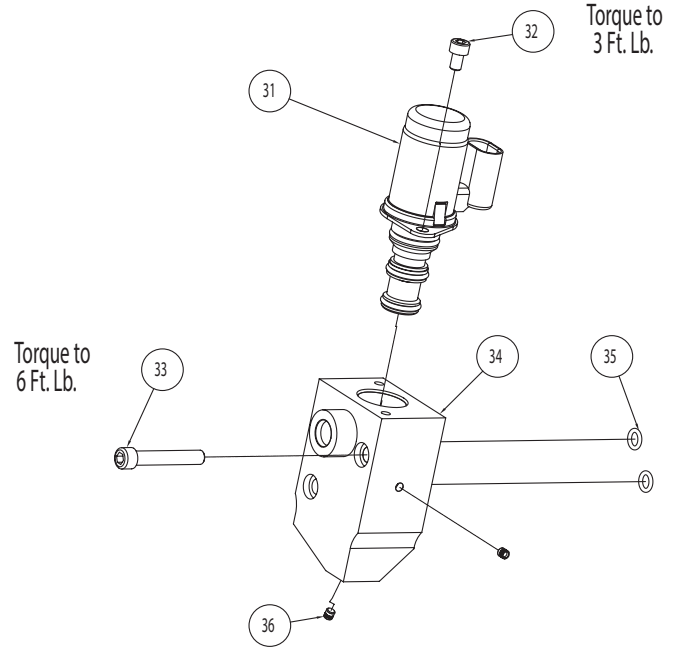


Torque to 25 Ft. Lb.

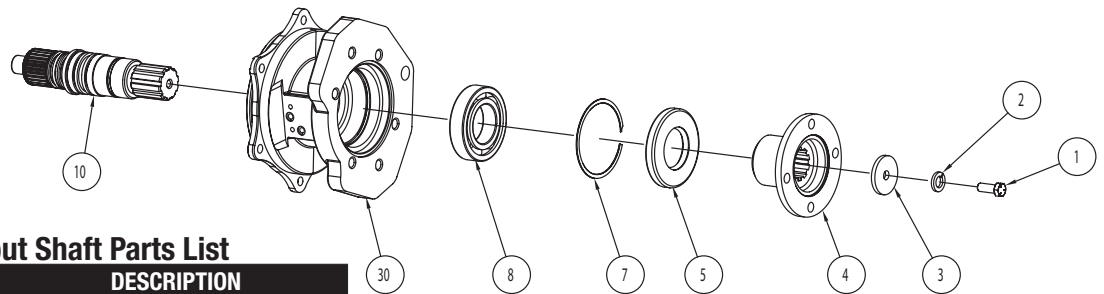
Install with Loctite

# DETAIL D – SOLENOID ASSEMBLY PARTS LIST

ITEM	QTY	PART NO	DESCRIPTION
31	1	35T40860	Solenoid Valve (12VDC)
32	2	19T40859	Socket Head Capscrew
33	3	19T41158	Socket Head Capscrew
34	1	35T42733	Solenoid Mount
35	2	12T36882	O-Ring, Viton
36	2	25T41375	Plug - Drive

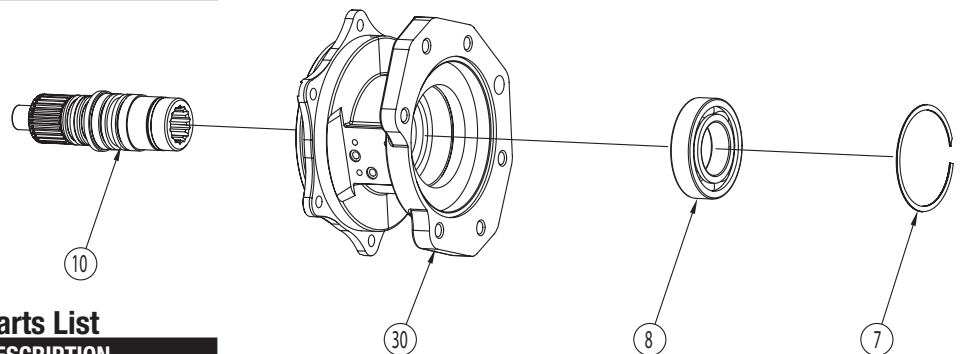


# DETAIL E – OUTPUT OPTIONS



## X4 Option Output Shaft Parts List

ITEM	QTY	PART NO	DESCRIPTION
1	1	19T20522	Hex Head Capscrew
2	1	21T35276	Lock Washer
3	1	21T20092	Washer
4	1	14T31499	1410 Companion Flange
5	1	11T42953	Seal
7	1	24T42735	Retaining Ring
8	1	10T35775	Bearing
10	1	06T43307	X4 Output Shaft
30	1	15T43280	X4 Cover Housing



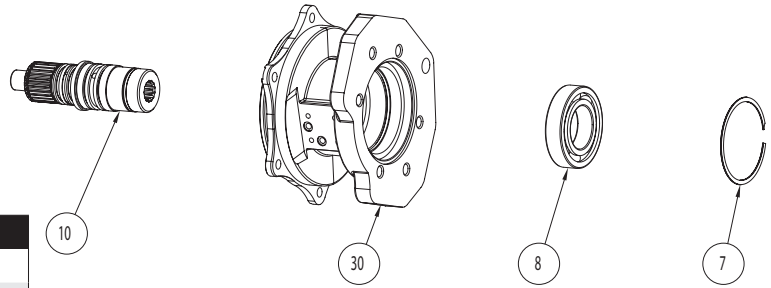
## CC Option Output Shaft Parts List

ITEM	QTY	PART NO	DESCRIPTION
7	1	24T42375	Retaining Ring
8	1	10T35775	Bearing
10	1	06T42728	SAE "C" Output Shaft
30	1	15T42726	SAE "C" Cover Housing

# DETAIL E – OUTPUT OPTIONS

## BB Option Output Shaft Parts List

ITEM	QTY	PART NO	DESCRIPTION
7	1	24T42375	Retaining Ring
8	1	10T35775	Bearing
10	1	06T43279	SAE "B" Output Shaft
30	1	15T43280	SAE "B" Cover Housing



# RC1 PTO GASKET AND REBUILD KITS

## RC1 Gasket Kit - RC1-GSK

ITEM	QTY	PART NO	DESCRIPTION
9	2	12T42749	Seal Ring, Hook
14	1	12T42737	O-Ring
15	2	12T42739	O-Ring
27	1	12T42738	O-Ring
35	2	12T36682	O-Ring

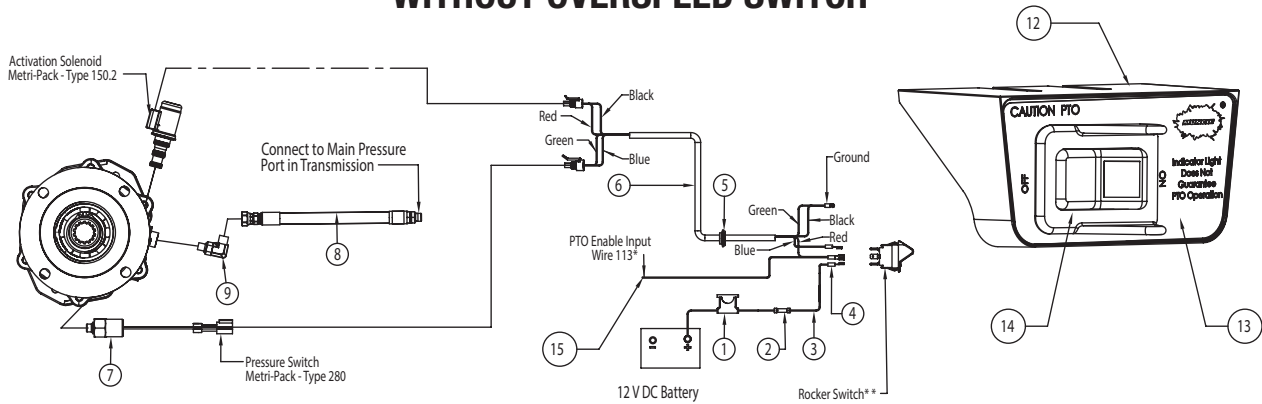
## RC1 Rebuild Kit - RC1-RBK

RC1-RBK includes all items in RC1-GSK Gasket Kit plus these additional items

ITEM	QTY	PART NO	DESCRIPTION
6	2	24T38347	External Retaining Ring
7	2	24T42735	Retaining Ring
8	2	10T35775	Bearing
11	1	49T42732	Friction Plate
12	3	19T41164	Capscrew
17	5	49T33564	Friction Disc
18	4	49T33563	Steel Spacer Disc
19	1	27T38791	Spring
22	1	24T42736	Retaining Ring
24	1	25T42810	Expanding Plug

# INSTALLATION KITS

## RC1 ALLISON INSTALLATION KIT – 48TK5509 (12V) WITH DIRECT ACTIVATION SOLENOID WITHOUT OVERSPEED SWITCH



### Installation Kit – 48TK5509

ITEM	QTY	PART NO	DESCRIPTION
1	1	33T36299	Fuse Assembly
2	1	34M18002	Butt Splice
3	6 FT	37T42506	Wire, 18 AWG
4	1	34M18250	Female Spade Connector
5	1	37T35674	Grommet
6	1	34T40902	Wire Harness
7	1	30T60223	Pressure Switch
8	1	45T43222	Hose Assembly RM/RC
9	1	43T42972	Pipe Elbow
10	2	34M18009	Ring Terminal
11	3	34M18187	Female Spade Connector
12	1	36T42362	Switch Bracket
13	1	36T42380	Face Plate For Switch

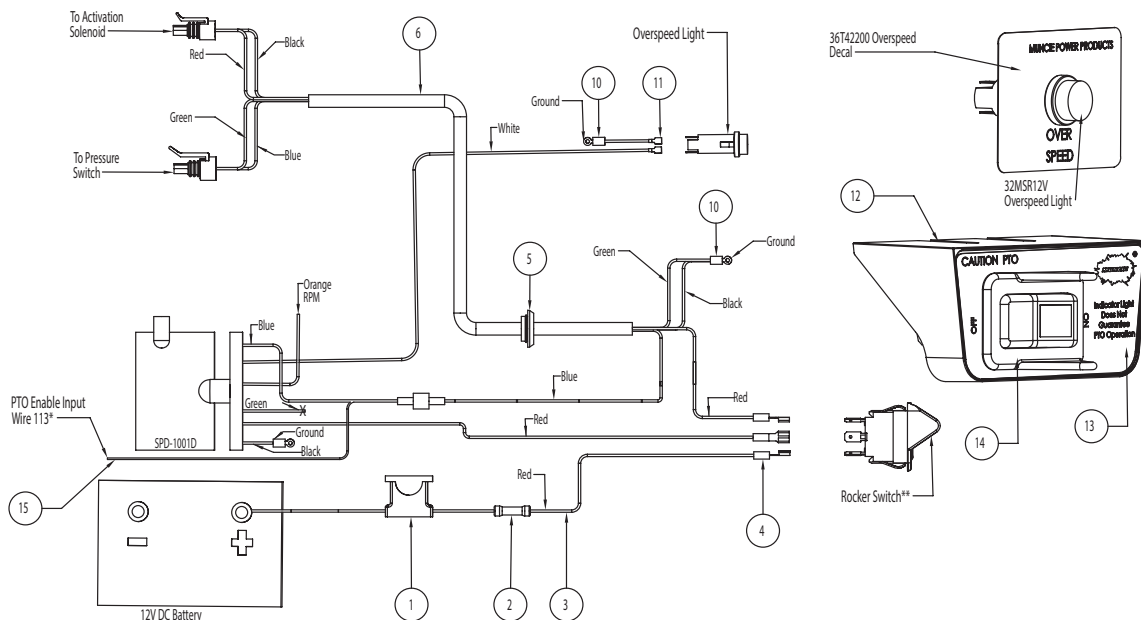
ITEM	QTY	PART NO	DESCRIPTION
14	1	30T35687	Rocker Switch
15	1	34T34180	Allison Wire
N.S.	1	36MK1007	Bolt Kit
N.S.	1	12T36054	4.75" Allison Mounting O-Ring
N.S.	1	12T36279	3.88" SAE "B" Pump Mount O-Ring
N.S.	1	12T43349	4.88" SAE "C" Pump Mount O-Ring
N.S.	1	36MK3841	Safety Labels
N.S.	1	58T43264	Allison Support Bracket
N.S.	4	19T43221	Allison Mounting Capscrews
N.S.	2	19T43353	Support Bracket Capscrews
N.S.	2	21T43351	Flat Hardened Washers
N.S.	1	I3187	Allison PTO Enable Instructions

\* Allison TCM (Pin 113)

\*\* Red light in the rocker switch is to turn "ON" when the PTO is engaged and turn "OFF" when the PTO is disengaged.

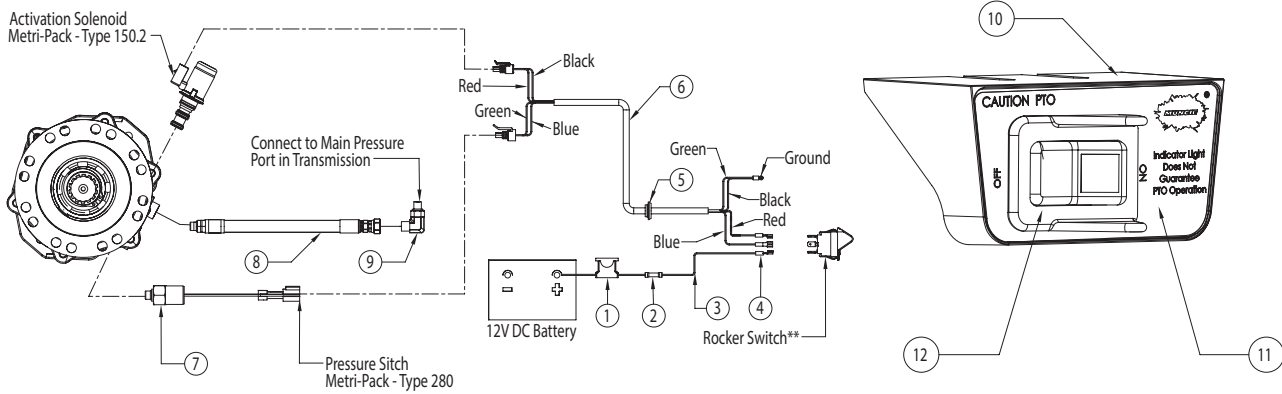
**Note:** Clutch shift PTO's require a connection to the Allison "PTO Enable Input" circuits. Check the vehicle dealer or body builder's information for this location.

### WITH OVERSPEED SWITCH



**Overspeed Option** –Faceplate with light access and overspeed light are not included in 48TK5509 (12V Allison Installation Kit). When using Overspeed Protection (SPD-1001D), order 36TK4971 for Overspeed Light and Decal.

# RC1 CATERPILLAR INSTALLATION KIT – 48TK5406 (12V) WITH DIRECT ACTIVATION SOLENOID WITHOUT OVERSPEED SWITCH



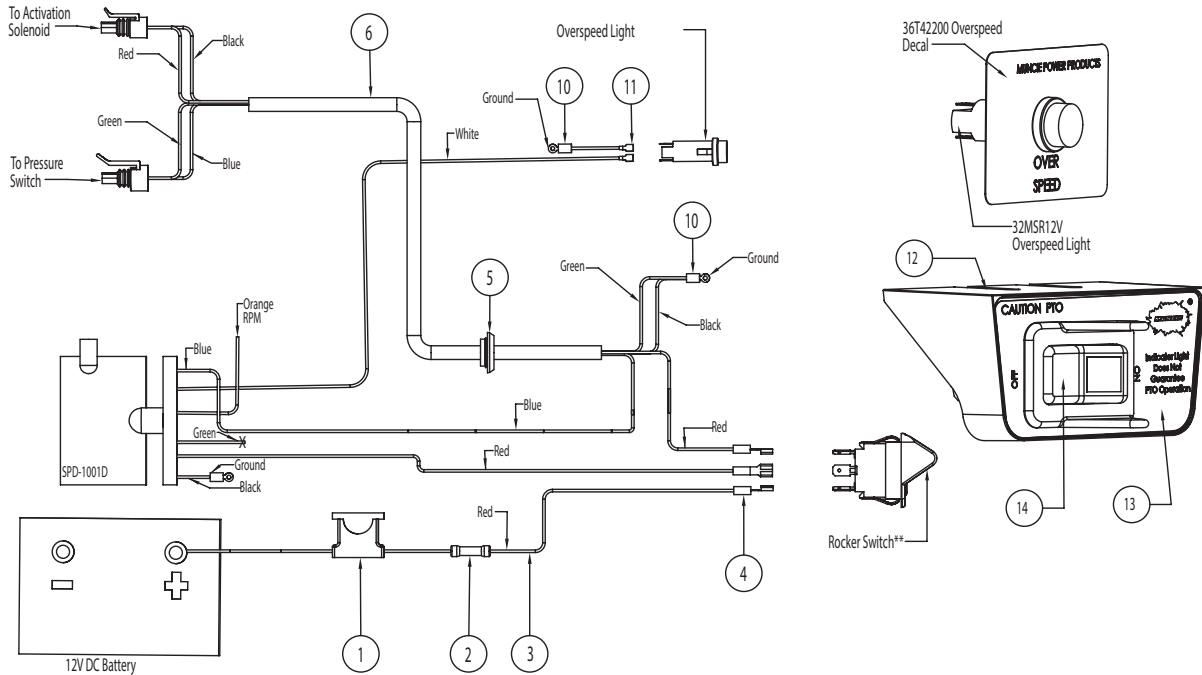
## Installation Kit – 48TK5406

ITEM	QTY	PART NO	DESCRIPTION
1	1	33T36299	Fuse Assembly
2	1	34M18002	Butt Splice
3	6 FT	37T42506	Wire, 18 AWG
4	1	34M18250	Female Spade Connector
5	1	37T35674	Grommet
6	1	34T40902	Wire Harness
7	1	30T60223	Pressure Switch
8	1	45T43350	Hose Assembly RM/RC
9	1	43T42972	Pipe Elbow
10	2	34M18009	Ring Terminal
11	3	34M18187	Female Spade Connector
12	1	36T42362	Switch Bracket

ITEM	QTY	PART NO	DESCRIPTION
13	1	36T42380	Face Plate For Switch
14	1	30T35687	Rocker Switch
N.S.	1	36MK1007	Bolt Kit
N.S.	1	12T36279	3.88" SAE "B" Pump Mount O-Ring
N.S.	1	12T43182	3.50" Caterpillar Mounting O-Ring
N.S.	1	12T43349	4.88" SAE "C" Pump Mount O-Ring
N.S.	1	36MK3841	Safety Labels
N.S.	16	19T43186	Mounting Capscrews
N.S.	1	58T43331	Caterpillar Support Bracket
N.S.	2	19T43352	Support Bracket Capscrews
N.S.	2	21T43351	Flat Hardened Washers
N.S.	1	41T42866	Caterpillar Mounting Adapter Plate (See Detail B)

\*\* Red light in the rocker switch is to turn "ON" when the PTO is engaged and turn "OFF" when the PTO is disengaged.

## WITH OVERSPEED SWITCH

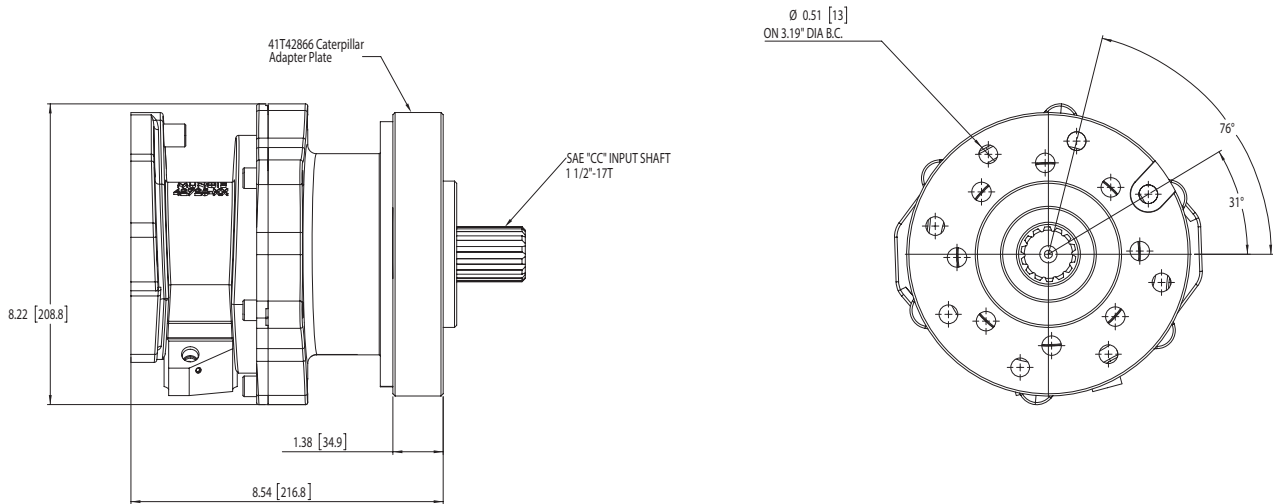


**Overspeed Option** –Faceplate with light access and overspeed light are not included in 48TK5406 (12V Caterpillar Installation Kit). When using Overspeed Protection (SPD-1001D), order 36TK4971 for Overspeed Light and Decal.

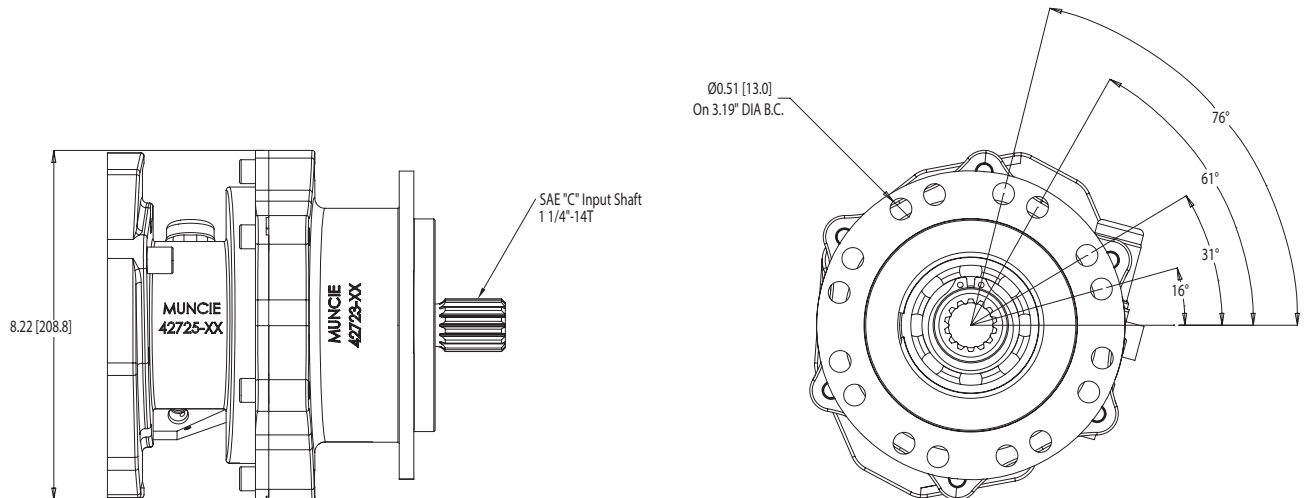


# DIMENSIONS IN INCHES (MM)

## CATERPILLAR MOUNTING OPTION – SAE “CC” INPUT SHAFT

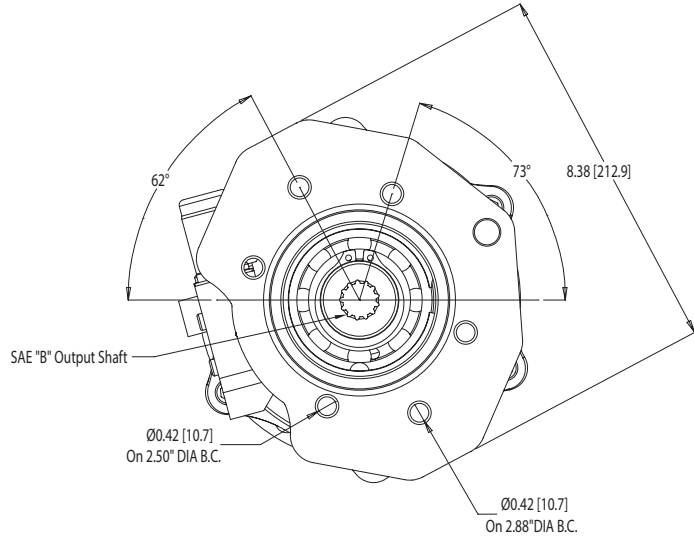
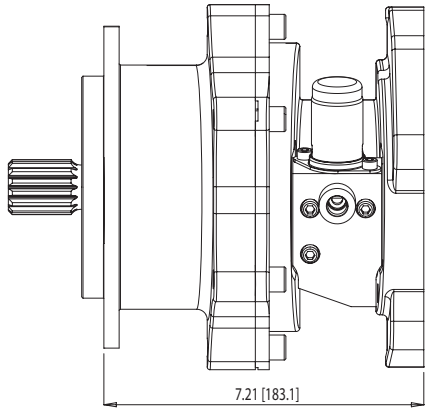


## ALLISON MOUNTING OPTION – SAE “C” INPUT SHAFT

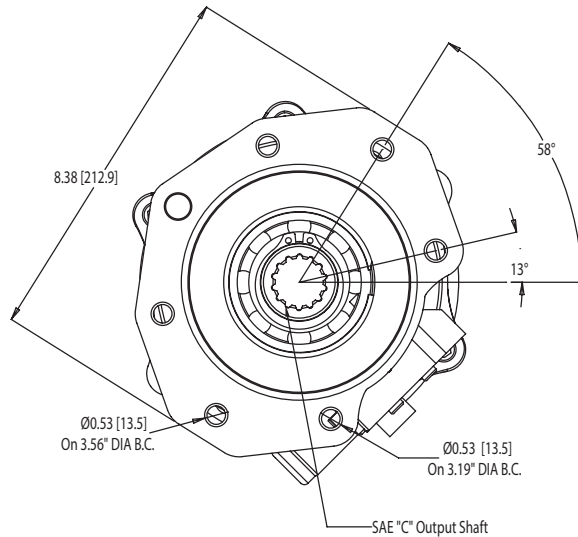
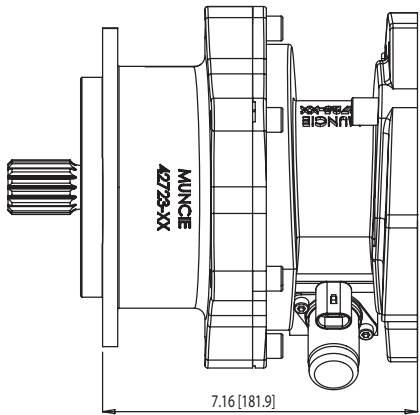


# DIMENSIONS IN INCHES (MM)

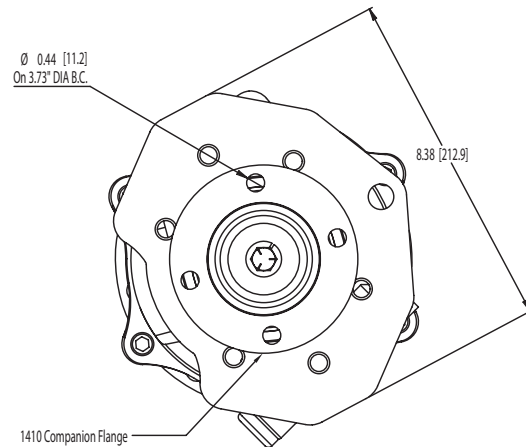
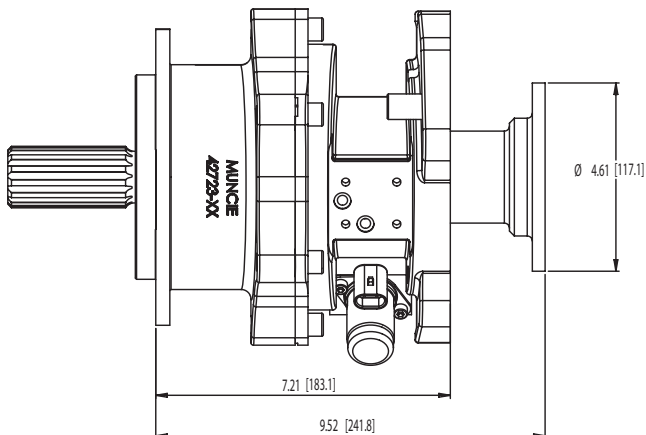
## “BB” OUTPUT OPTION – SAE “B” 2 AND 4-BOLT MOUNTING FLANGE WITH 7/8”-13T SHAFT



## “CC” OPTION – SAE “C” 2 AND 4 BOLT MOUNTING FLANGE WITH 1 ¼”-14T SHAFT



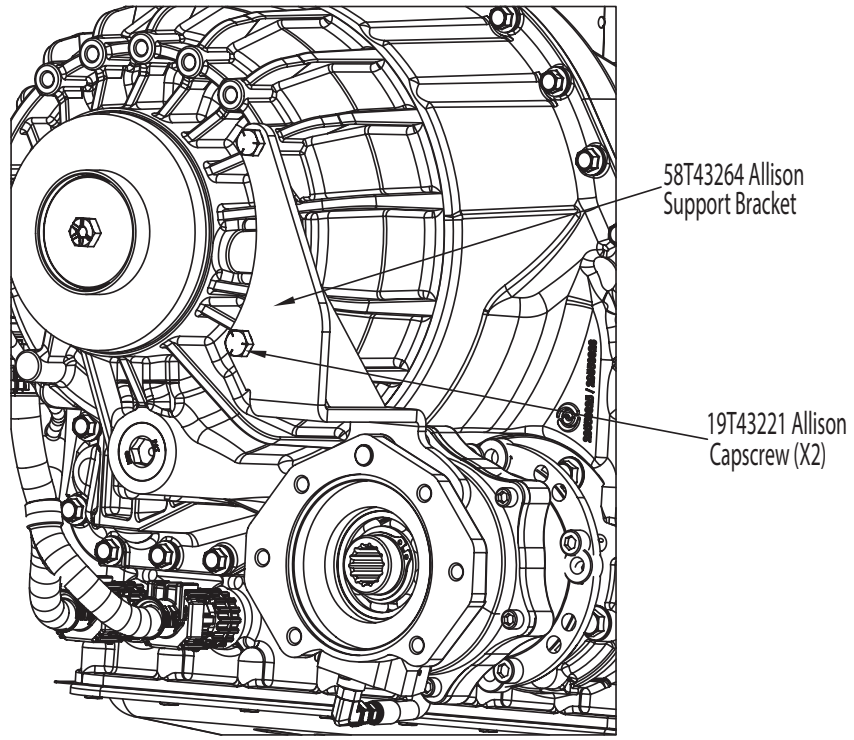
## “X4” OPTION – 1410 COMPANION FLANGE MOUNTED TO 1 1/2” – 10T SHAFT



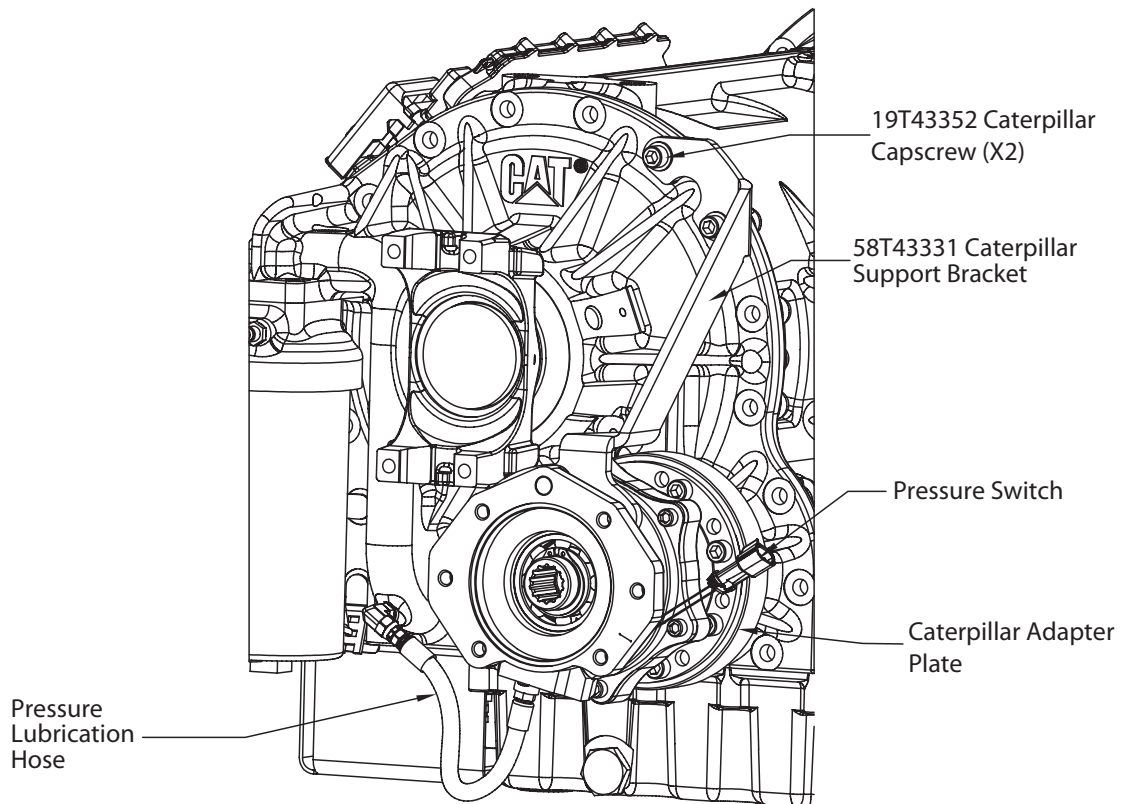
Note: For Caterpillar mounting, add 1.38 inches to length from transmission mounting pad for adapter plate.

# MOUNTING LOCATION

## ALLISON



## CATERPILLAR





**Muncie<sup>®</sup>  
Power  
Products**

SP15-01

© Muncie Power Products, Inc. 2015

**Muncie Power Products, Inc.** *Member of the Interpump Hydraulics Group*  
General Offices and Distributor Center • P.O. Box 548 • Muncie, IN 47308-0548  
(765) 284-7721 • FAX (765) 284-6991 • *E-mail* info@munciepower.com  
*Web site* <http://www.munciepower.com>

Drive Products, Exclusive Agents for Canada, ISO Certified by an Accredited Registrar