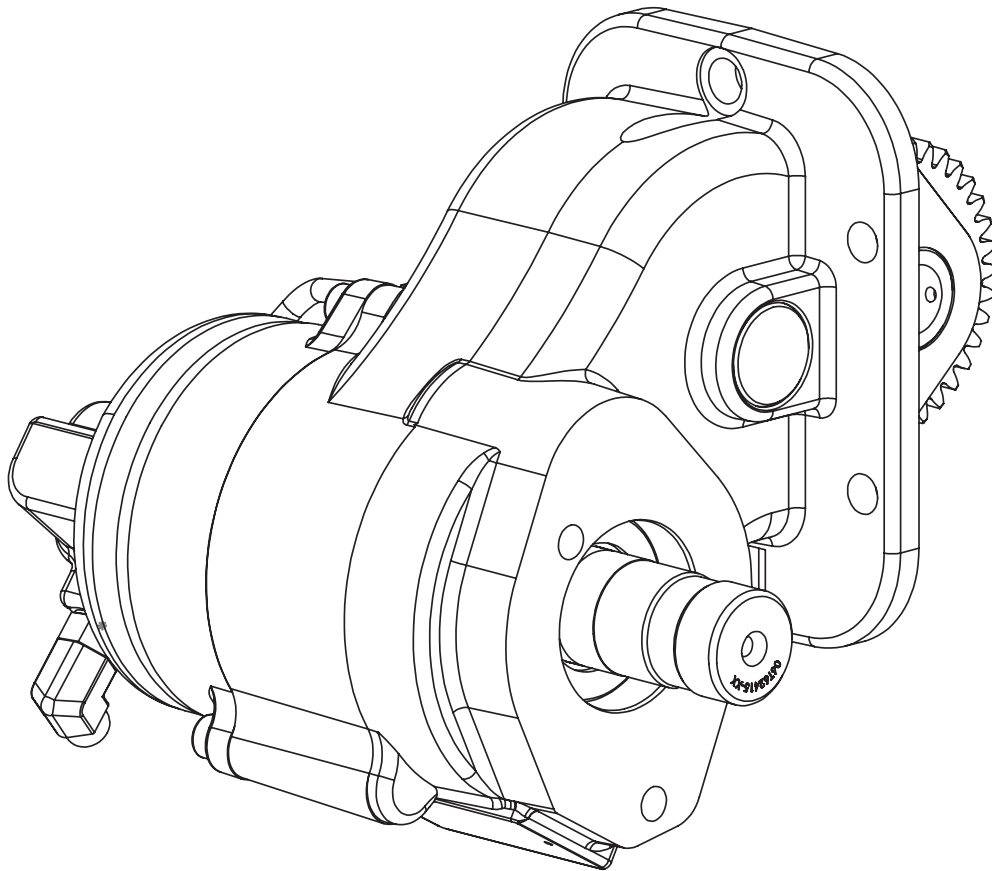




Muncie[®]
Power
Products

FR6Q PTO

PARTS LIST AND SERVICE MANUAL



MODEL NUMBER CONSTRUCTION

FR6Q - F12 09 - 6 3 N X

PTO Type

FR6Q — Ford 6-Bolt Quiet

Transmission Input Gear Option

F12 — Ford 6R140

Speed Ratio:

09 — 0.90:1

Shift Types

6 — Elec./Hyd. 2016–2023 F-650/F-750 (Diesel Engine)
2017–2019 F-250–F-550 (Diesel Engine)

F — Elec./Hyd. 2016 & Later F-650/F-750 (Gas Engine)
2017–2019 F-250–F-550 (Gas Engine)

D — Elec./Hyd. 2016 & Earlier F-250–F-550 (Diesel Engine)

G — Elec./Hyd. 2015 & Earlier F-650/F-750 (Gas Engine)

Assembly Arrangement

3 — Left Side Shaft Low

Output Types*

B — 1¼" Round Keyed Shaft (4x2 Only)

N — ¾" -11T, MPP "N" Pump Mount

Q — SAE "B" 7/8" -13T, SAE "A" 2-Bolt (4x2 Only)

T — SAE ¾" -11T, SAE "A" 2-Bolt (4x2 Only)

Special Features:

X — None

B — Stationary **AND** Mobile (Only available on 6, F, & D shift types)

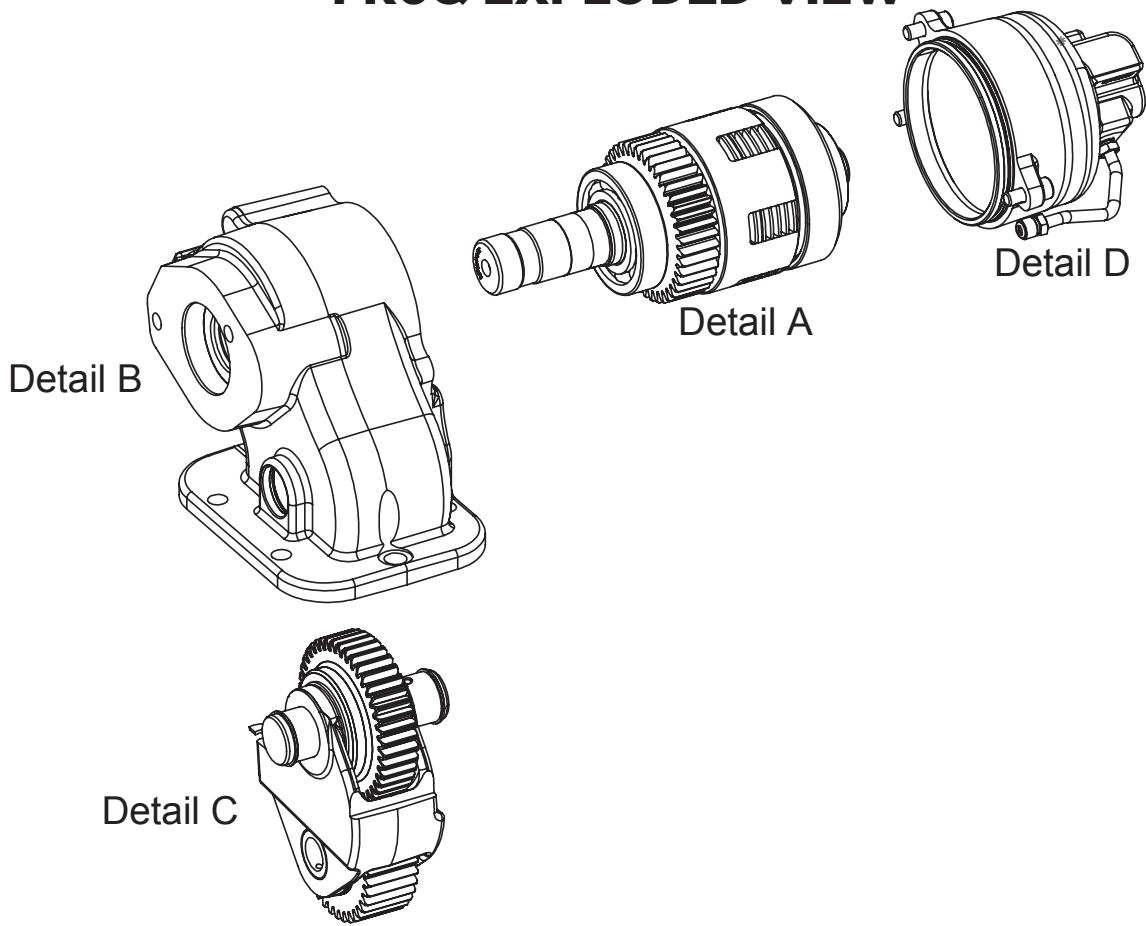
6 — **Muncie Start**® Stationary **OR** Mobile

7 — **Muncie Start**® Stationary **AND** Mobile (Only available on 6, F, & D shift types)

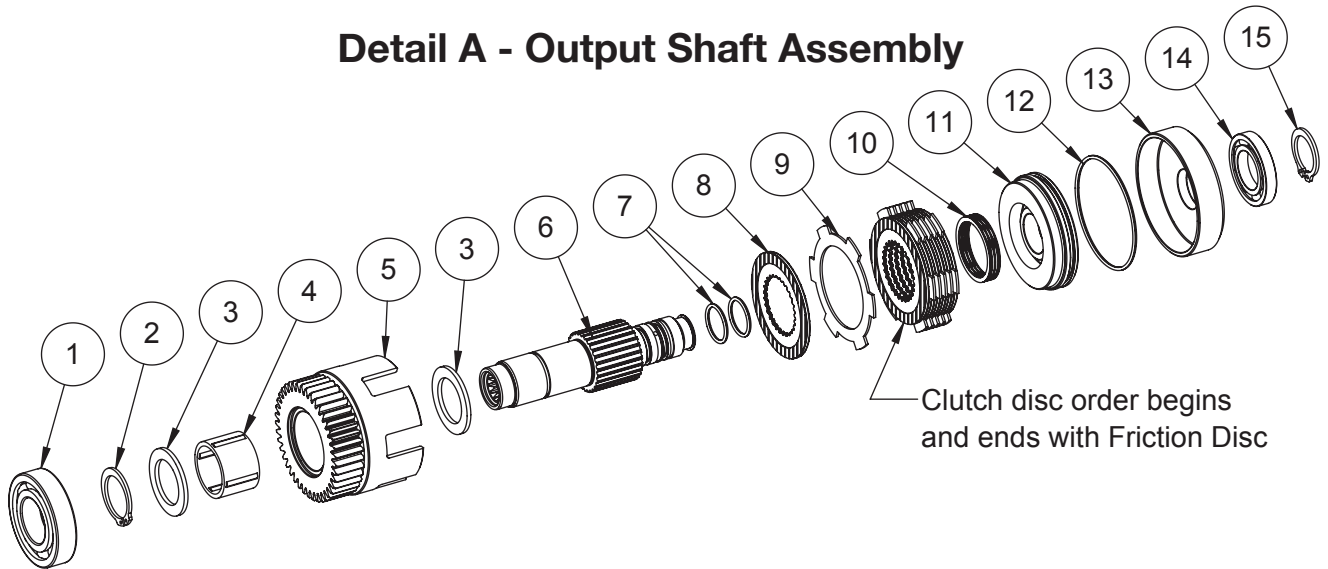
NOTE: Driveline output is not recommended on 4x4 chassis.

| Other FR6Q Literature | |
|-----------------------|--|
| IN16-06 | Installation and Operator's Manual |
| MP16-07 | Specifications Manual |
| IN17-14 | Muncie Start Installation Instructions |

FR6Q EXPLODED VIEW



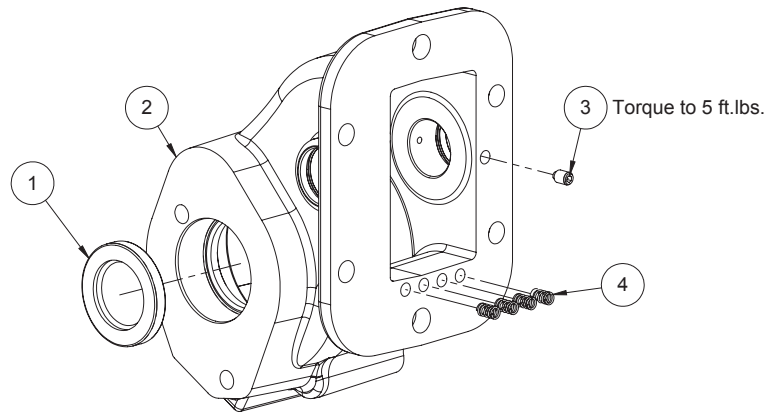
Detail A - Output Shaft Assembly



| ITEM | QTY | PART NO. | DESCRIPTION |
|------|-----|----------|-------------------------|
| 1 | 1 | 10T21017 | Bearing |
| 2 | 1 | 24T36470 | Snap Ring: Output |
| 3 | 2 | 21T62472 | Thrust Washer |
| 4 | 1 | 10T62471 | Needle Bearing |
| 5 | 1 | 02T62402 | Output Gear |
| 6 | 1 | 06T62415 | Output Shaft - "B" |
| | | 06T62416 | Output Shaft - "N", "T" |
| | | 06T62434 | Output Shaft - "Q" |
| 7 | 2 | 12T39023 | O-Ring |

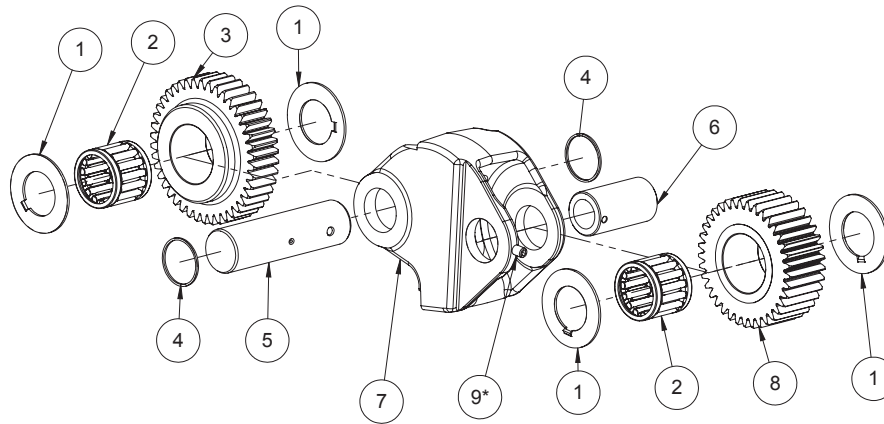
| ITEM | QTY | PART NO. | DESCRIPTION |
|------|-----|----------|----------------------|
| 8 | 7 | 49T61803 | Friction Disc |
| 9 | 6 | 49T62876 | Wave Spacer Disc |
| 10 | 1 | 27T61827 | Piston Return Spring |
| 11 | 1 | 49T61822 | Piston |
| 12 | 1 | 12T36540 | Piston O.D. O-Ring |
| 13 | 1 | 49T39022 | Piston Cup |
| 14 | 1 | 10T39072 | Bearing |
| 15 | 1 | 24T39182 | Snap Ring |
| N.S. | 1 | 26T01627 | Woodruff Key |

Detail B - Housing Assembly



| ITEM | QTY | PART NO. | DESCRIPTION |
|------|-----|----------------------|--|
| 1 | 1 | 11T63830 | Output Shaft Seal |
| 2 | 1 | 01T63403 01T63404 | Housing - "B", "N" Housing - "Q", "T" |
| 3 | 1 | 19T63009 | Set Screw |
| 4 | 4 | 27T63431 | Coil Spring |

Detail C - Input Assembly

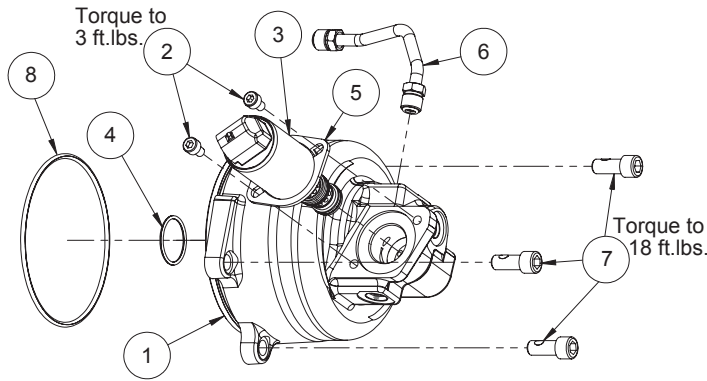


| ITEM | QTY | PART NO. | DESCRIPTION |
|------|-----|----------|-----------------------|
| 1 | 4 | 21T42017 | Tabbed Thrust Washer |
| 2 | 2 | 10T39145 | Needle Bearing |
| 3 | 1 | 04T62405 | Idler Gear (42 Tooth) |
| 4 | 2 | 12T36276 | O-Ring |
| 5 | 1 | 08T62417 | Idler Gear Shaft |

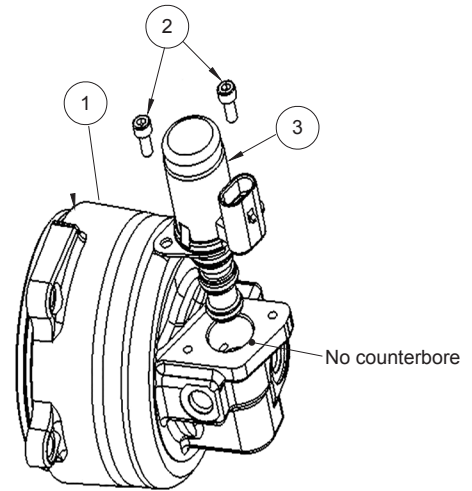
| ITEM | QTY | PART NO. | DESCRIPTION |
|------|-----|----------|-----------------------|
| 6 | 1 | 07T62045 | Input Gear Shaft |
| 7 | 1 | 49T62346 | Rocker |
| 8 | 1 | 03T62406 | Input Gear (37 Tooth) |
| 9 | 1 | 19T63010 | Set Screw |

Detail D - Rear Cover Assembly

PRIOR TO 2/23/2025



ON/AFTER 2/21/2025



| ITEM | QTY | PART NO. | DESCRIPTION |
|------|-----|----------|---|
| 1 | 1 | 15T62484 | Rear Cover – Standard (Units built before 2/21/2025) |
| | | 15T62756 | Rear Cover (M-Start) |
| | | 15T42720 | Rear Cover – Standard (Units built on/after 2021/2025) |
| 2 | 2 | 19T62950 | Cap Screw for Solenoid |
| 3 | 1 | 35T43600 | Solenoid Valve (Units built before 2/21/2025) |
| | | 35T62496 | Solenoid Valve (M-Start) |
| | | 35T40860 | Solenoid Valve (Units built on/after 2/21/2025) |

| ITEM | QTY | PART NO. | DESCRIPTION |
|------|-----|----------|---|
| 4 | 1 | 12T36280 | O-Ring - Output Shaft |
| 5 | 1 | 49T62436 | Solenoid Clamp Ring (Not used on 35T40860) |
| 6 | 1 | 43T62475 | Lubrication Tube |
| 7 | 3 | 19T35237 | Cap Screw - Cover |
| 8 | 1 | 12T36863 | O-Ring - Cover |

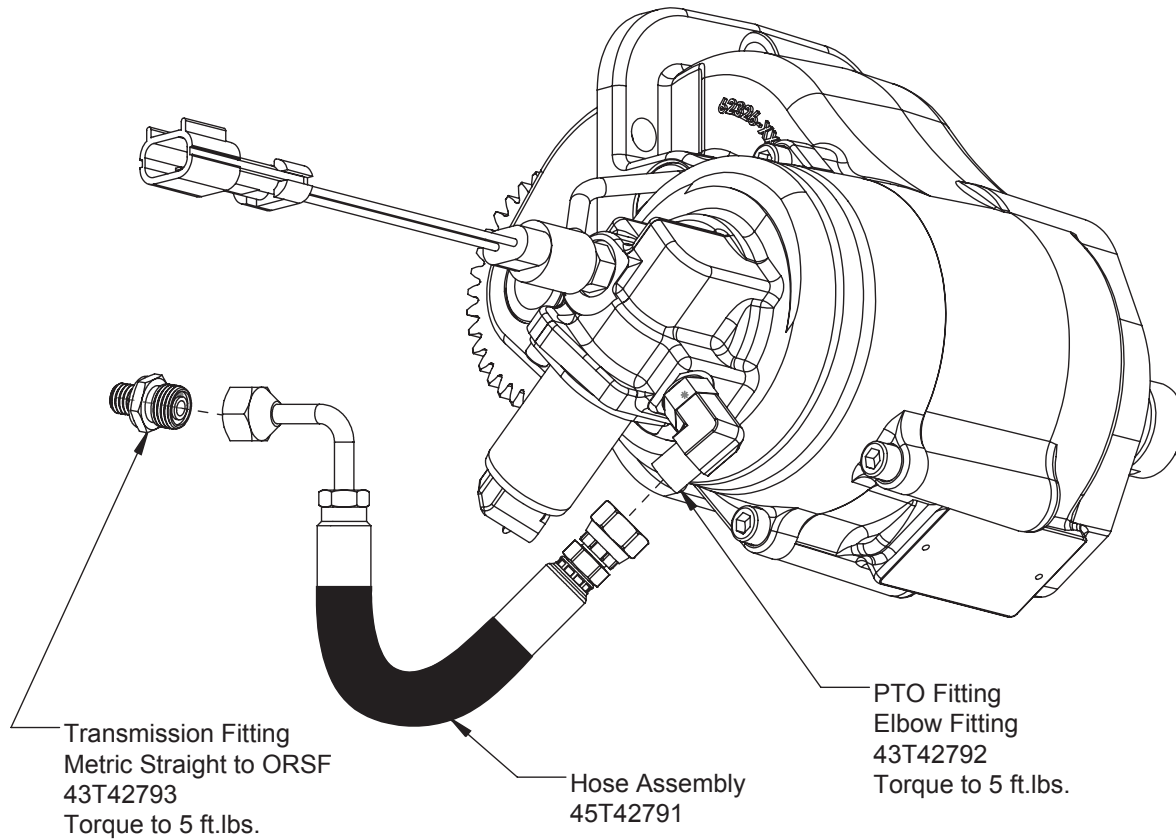
Gasket and Rebuild Kit Contents

| P/N | DESCRIPTION | Gasket Kit (FR6Q-GSK) | Rebuild Kit (FR6Q-RBK) |
|----------|-----------------------|-----------------------|------------------------|
| | | Qty | Qty |
| 10T21017 | Bearing | - | 1 |
| 24T36470 | Snap Ring: Output | - | 1 |
| 21T62472 | Thrust Washer | - | 2 |
| 10T62471 | Needle Bearing | - | 1 |
| 12T39023 | O-Ring | 2 | 2 |
| 27T61827 | Piston Return Spring | - | 1 |
| 49T61803 | Friction Disc | - | 7 |
| 49T62876 | Wave Spacer Disc | - | 6 |
| 12T36540 | Piston O.D. O-Ring | 1 | 1 |
| 10T39072 | Bearing | - | 1 |
| 24T39182 | Snap Ring | - | 1 |
| 11T63830 | Output Shaft Seal | 1 | 1 |
| 21T42017 | Tabbed Thrust Washer | - | 4 |
| 10T39145 | Needle Bearing | - | 2 |
| 12T36276 | O-Ring | 2 | 2 |
| 27T63431 | Rocker Spring | - | 4 |
| 12T36280 | O-Ring - Output Shaft | 1 | 1 |
| 12T36863 | O-Ring - Cover | 1 | 1 |
| 13T41973 | PTO Gasket | 1 | 1 |

FR6Q Installation Kits

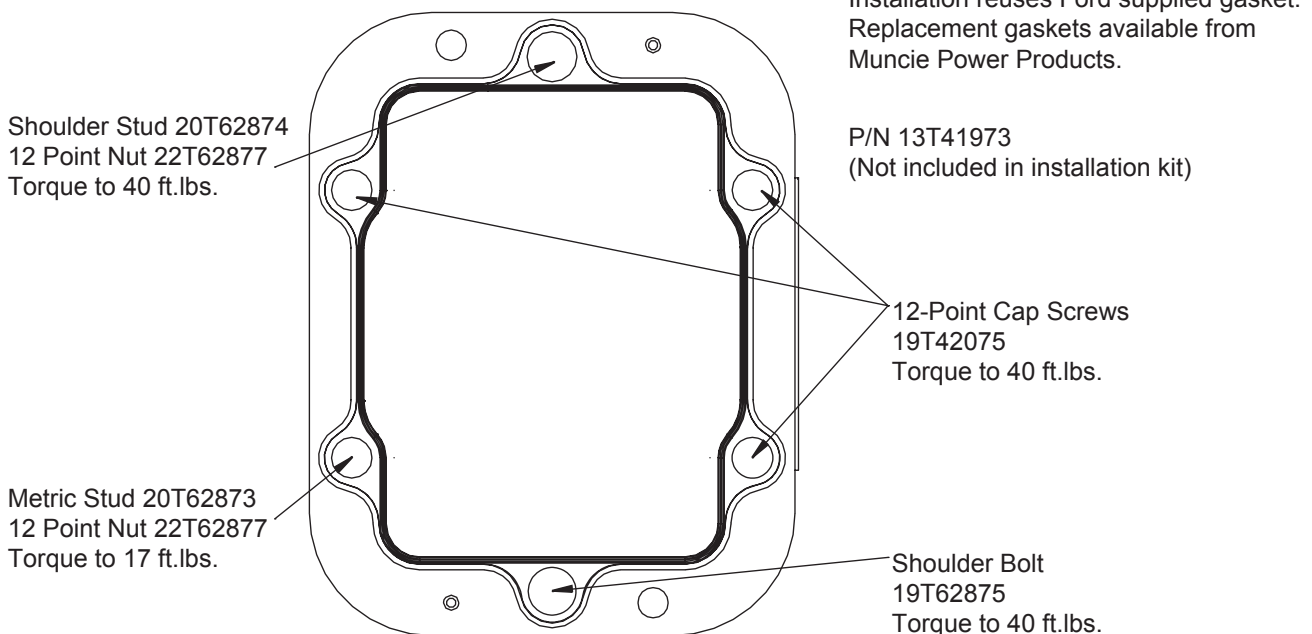
Activation Plumbing Components

Included in All Installation Kits

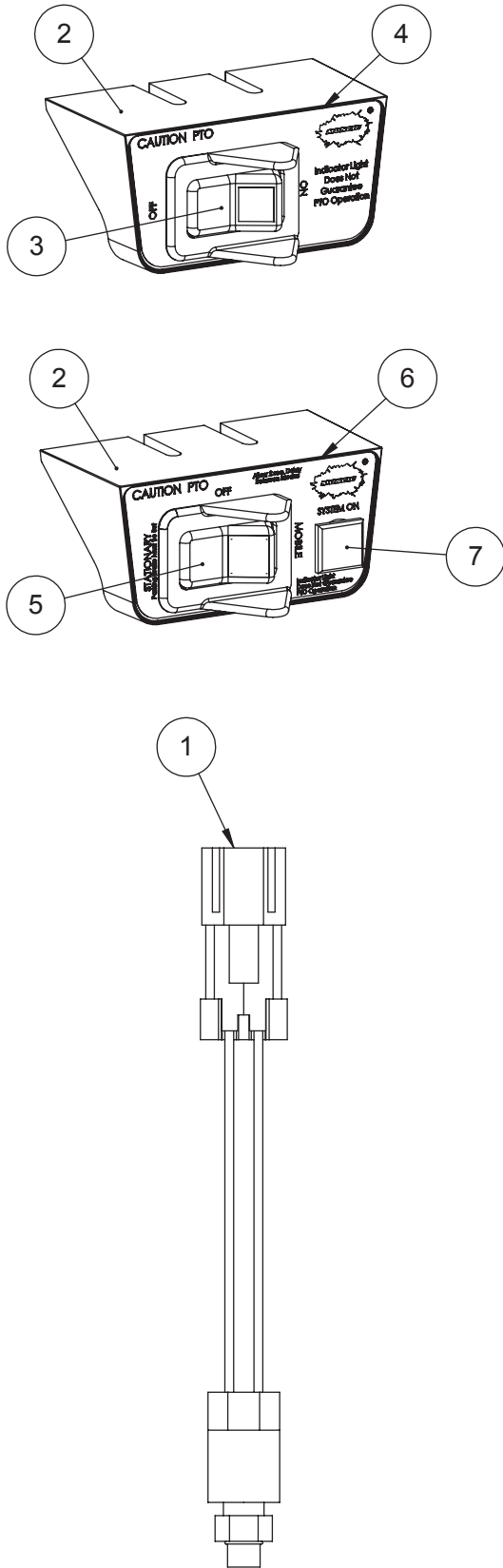


FR6Q Stud Kit Details

20TK6385



FR6Q Installation Kit Parts Breakdown

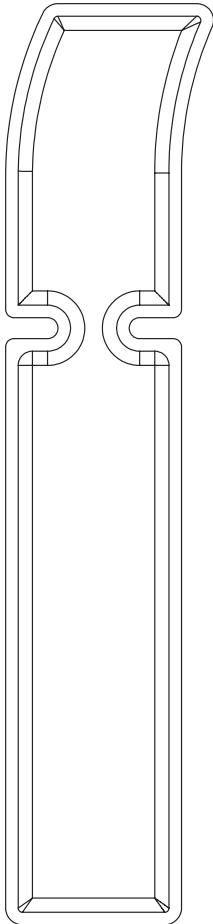


| | ITEM | QTY | PART NO. | DESCRIPTION | |
|-------------------------------------|-------------------------------------|----------|--|--|--|
| Common (ALL Kits) | 1 | 1 | 30T60223 | Pressure Switch | |
| | 2 | 1 | 36T42362 | Dash Bracket | |
| | N.S. | 1 | 36MK1007 | Dash Bracket Bolt Kit | |
| | N.S. | 1 | 37T35674 | Grommet | |
| | N.S. | 6 | 28T35442 | Cable Ties | |
| | 6X - Shift Option (48TK6200) | | | | |
| Shift Specific Components | 3 | 1 | 30T35687 | Rocker Switch | |
| | 4 | 1 | 36T42380 | Face Place | |
| | N.S. | 1 | 34T43730 | Wire Harness (See IN16-07 for details) | |
| | 6B - Shift Option (48TK6201) | | | | |
| | 5 | 1 | 30T41975 | Rocker Switch | |
| | 6 | 1 | 36T42383 | Face Place | |
| | 7 | 1 | 32MSR12V | Light | |
| | N.S. | 1 | 34T43740 | Wire Harness (See IN16-07 for details) | |
| | FX - Shift Option (48TK6205) | | | | |
| | 3 | 1 | 30T35687 | Rocker Switch | |
| | 4 | 1 | 36T42380 | Face Place | |
| | N.S. | 1 | 34T43735 | Wire Harness (See IN16-07 for details) | |
| | FB - Shift Option (48TK6206) | | | | |
| | 5 | 1 | 30T41975 | Rocker Switch | |
| | 6 | 1 | 35T42383 | Face Place | |
| | 7 | 1 | 32MSR12V | Light | |
| | N.S. | 1 | 34T43745 | Wire Harness (See IN16-07 for details) | |
| | DX - Shift Option (48TK6311) | | | | |
| | 3 | 1 | 30T35687 | Rocker Switch | |
| | 4 | 1 | 36T42380 | Face Place | |
| | N.S. | 1 | 34T41671 | Wire Harness (See IN16-07 for details) | |
| | DB - Shift Option (48TK6312) | | | | |
| | 5 | 1 | 30T41975 | Rocker Switch | |
| | 6 | 1 | 36T42383 | Face Place | |
| 7 | 1 | 32MSR12V | Light | | |
| N.S. | 1 | 34T41940 | Wire Harness (See IN16-07 for details) | | |
| GX - Shift Option (48TK6313) | | | | | |
| 3 | 1 | 30T35687 | Rocker Switch | | |
| 4 | 1 | 36T42380 | Face Place | | |
| N.S. | 1 | 34T43359 | Wire Harness (See IN16-07 for details) | | |

Heat Shield/Pressure Switch Relocation Parts List

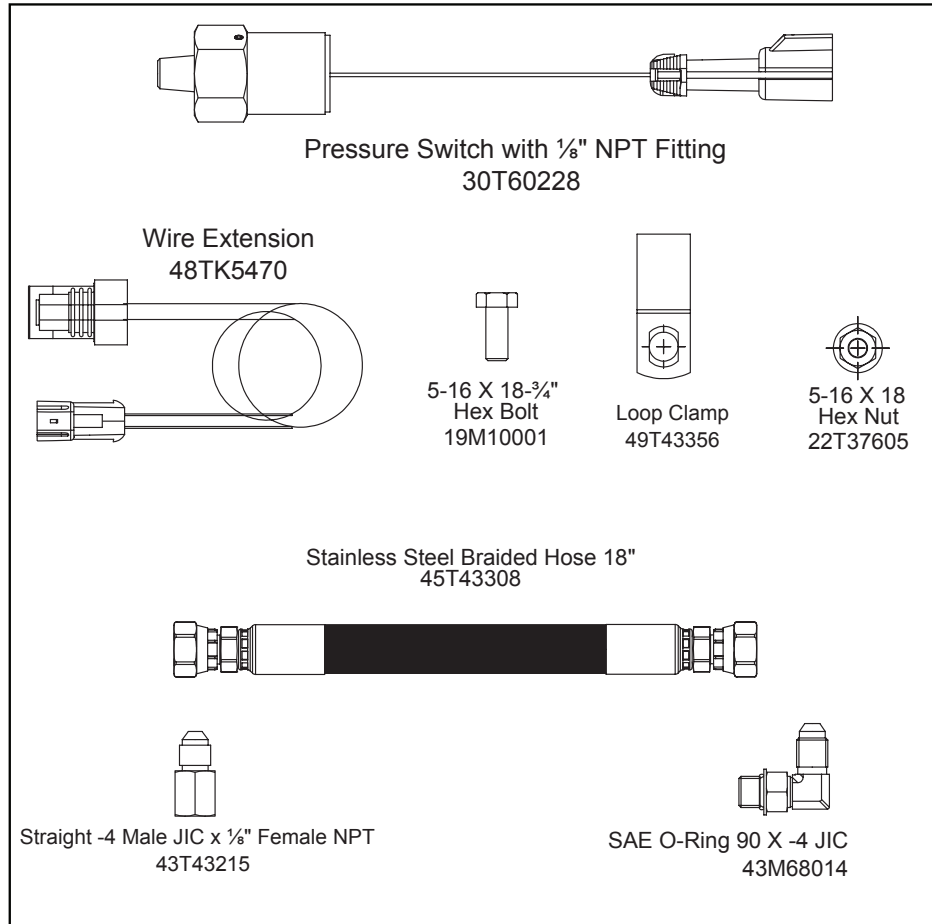
(Required for FX, FB, and GX Shift Options ONLY)

Pressure Switch Relocation Kit 43TK5527



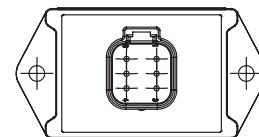
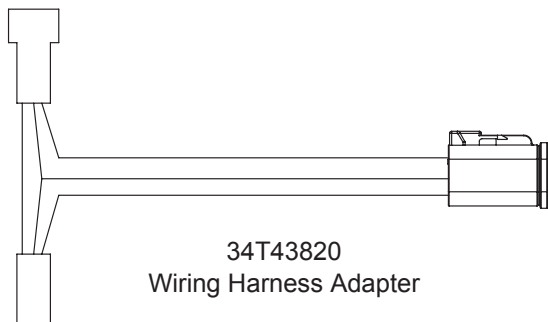
Heat Shield
49T43320

Required: Heat Shield
Fasteners 48TK5557



Muncie Start Kit Parts List

(6 and 7 Special Feature ONLY; Connects to Included Wire Harness)



A Member of the Interpump Group

SP16-04 (Rev. 05-25)

201 East Jackson Street, Muncie, Indiana 47305
800-367-7867 • Fax: 765-284-6991 • info@munciepower.com

Specifications are subject to change without notice. Visit www.munciepower.com
for warranties and literature. All rights reserved. © Muncie Power Products, Inc. (2018)