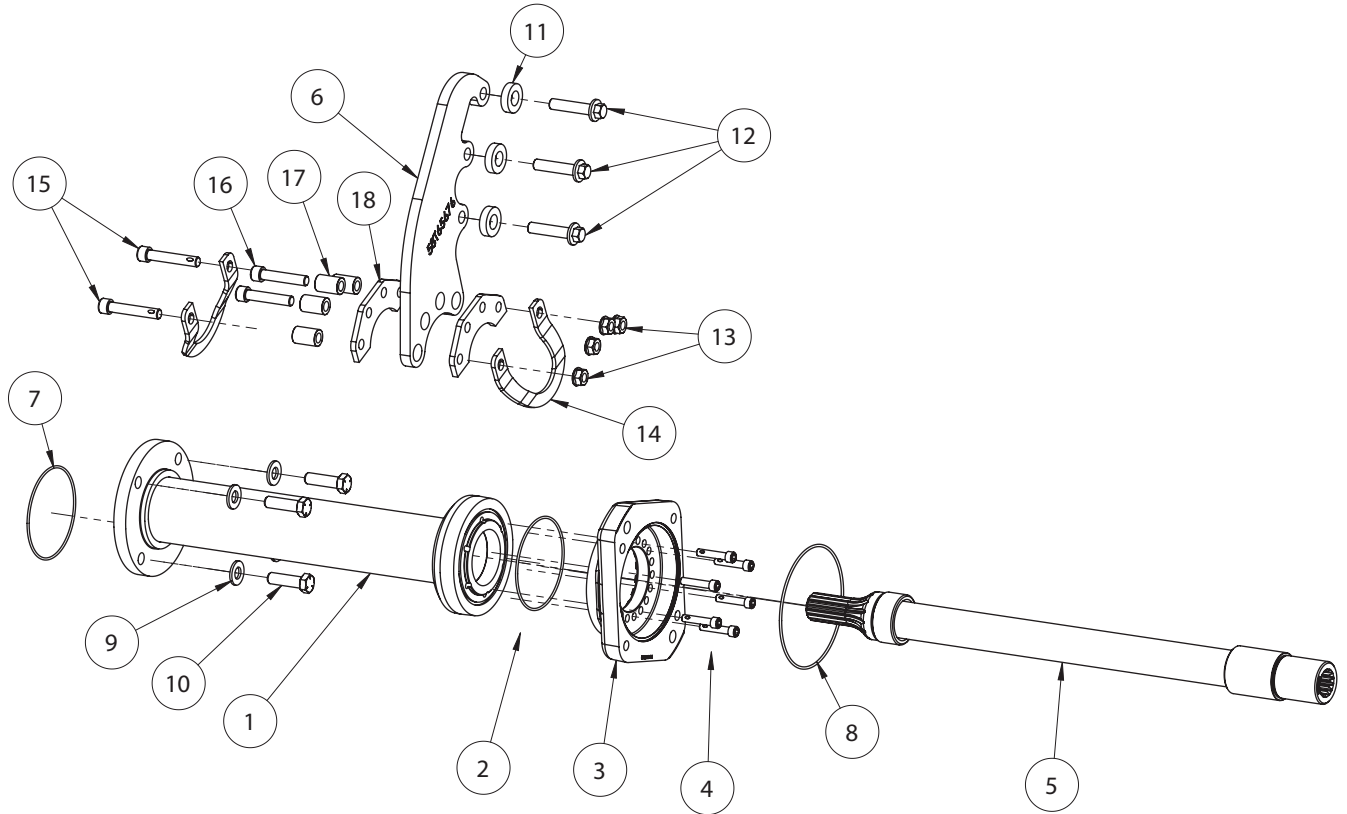




EX DRIVE SERVICE PARTS LIST XSMC SERIES WITH CLAMP STYLE BRACKET

ALLISON 3000/4000/4700 TRANSMISSIONS



ITEM #	P/N	QTY	DESCRIPTION
1	49TA6165	1	SAE Housing 3000 standard; MC1 PTO; 17.0" Flange to Flange
	49TA6166	1	DIN Housing 3000 standard; MC1 PTO; 17.0" Flange to Flange
	49TA5678	1	SAE Housing 4000 standard; MC1 PTO; 17.9" Flange to Flange
	49TA5679	1	DIN Housing 4000 standard; MC1 PTO; 17.9" Flange to Flange
	49TA6173	1	SAE Housing 4700 standard; MC1 PTO; 25.5" Flange to Flange
	49TA6209	1	SAE Housing 3000 w/retarder/cooler; MC1 PTO; 20.4" Flange to Flange
	49TA6210	1	DIN Housing 3000 w/retarder/cooler; MC1 PTO; 20.4" Flange to Flange
	49TA6224	1	SAE Housing 4000 w/retarder/cooler; MC1 PTO; 23.00" Flange to Flange
	49TA6225	1	DIN Housing 4000 w/retarder/cooler; MC1 PTO; 23.00" Flange to Flange
2	12T43185	1	Flange O-Ring; SAE Output
	12T36863	1	Flange O-Ring; DIN Output
3	14T43150	1	SAE "B" 2/4-Bolt Output Flanges
	14T43152	1	SAE "C" 2/4-Bolt Output Flanges
	14T43151	1	DIN 5462 Output Flange
4	19T31577	6	Cap Screw for SAE "B", "BB" Flanges
	19M84478	6	Cap Screw for SAE "C" Flanges
	19T96512	6	Cap Screw for DIN Flanges

ITEM #	P/N	QTY	DESCRIPTION
5	06TA6176	1	SAE "B" Shaft 7/8"-13T; OAL 19.7"; 3000 standard
	06TA6175	1	SAE "BB" 1.0"-15T Shaft; OAL 19.5"; 3000 standard
	06TA5563	1	SAE "C" Shaft; OAL 19.8"; 3000 standard
	06TA6178	1	DIN 5462 Shaft; OAL 20.2"; 3000 standard
	06TA5683	1	SAE "B" Shaft 7/8"-13T; OAL 20.5"; 4000 standard
	06TA5682	1	SAE "BB" 1.0"-15T Shaft; OAL 20.4"; 4000 standard
	06TA5681	1	SAE "C" Shaft; OAL 20.7"; 4000 standard
	06TA5684	1	DIN 5462 Shaft; OAL 21.1"; 4000 standard
	06TA6169	1	SAE "B" 7/8"-13T Shaft; OAL 28.4"; 4700 standard
	06TA6170	1	SAE "BB" 1.0"-15T Shaft; OAL 28.3"; 4700 standard
	06TA6168	1	SAE "C" 1.25"-14T Shaft; OAL 28.6"; 4700 standard
	06TA6213	1	SAE "B" 7/8"-13T Shaft; OAL 23.3"; 3000 w/retarder/cooler
	06TA6214	1	SAE "BB" 1.0"-15T Shaft; OAL 23.2"; 3000 w/retarder/cooler
	06TA6211	1	SAE "C" 1.25"-14T Shaft; OAL 23.5"; 3000 w/retarder/cooler
	06TA6212	1	DIN 5462 Shaft; OAL 23.9"; 3000 w/retarder/cooler
	06TA6227	1	SAE "B" 7/8"-13T Shaft; OAL 25.9"; 4000 w/retarder/cooler
	06TA6228	1	SAE "BB" 1.0"-15T Shaft; OAL 26.5"; 4000 w/retarder/cooler
	06TA6226	1	SAE "C" 1.25"-14T Shaft; OAL 26.1"; 4000 w/retarder/cooler
06TA6229	1	DIN 5462 Shaft; OAL 26.0"; 4000 w/retarder/cooler	
6	58T65665	1	Bracket; 3000 Series Right Side; 1 arrangement
	58T65671	1	Bracket; 3000 Series Right Side; 2 arrangement
	58T65604	1	Bracket; 3000 Series Left Side; 3 arrangement
	58T65670	1	Bracket; 3000 Series Left Side; 4 arrangement
	58T65676	1	Bracket; 4000/4700 Series Left Side; 3 arrangement
	58T65669	1	Bracket; 4000 Series Left Side; 4 arrangement
	58T65672	1	Bracket; 4000/4700 Series Top Side; 5 arrangement

INSTALLATION KIT PART QUANTITIES

ITEM #	P/N	DESCRIPTION	XSMC-A40XX-X3**XX	XSMC-A40XX-X3**RX	XSMC-A30XX-X3**XX	XSMC-A30XX-X3**RX
			XSMC-A40XX-X4**CX		XSMC-A30XX-X4**CX	
			48TK6557	48TK6580	48TK6558	48TK6559
7	12T43185	O-Ring	1	1	1	1
	13T63186	Gasket	1	1	1	1
8	12TK5496	O-Ring Kit (Includes 1 each of the following O-Rings)	1	1	1	1
	12T34003	O-Ring (SAE C)				
	12T43185	O-Ring (SAE B, SAE BB)				
	12T43360	O-Ring (DIN)				
	12T64073	O-Ring (PTO end)				
9	21T43218	Washer, Flat (SC-529)	4	4	4	4
10	19T43219	Bolt, for PTO (SC-257)	4	4	4	4
11	21T43377	Flat Washer (SC-529)	3	3	-	-
	21T64881	Washer	-	-	3	3
12	19T38845	Bolt, for Transmission	3	-	3	-
	19T43370	Bolt, for Transmission	-	3	-	-
	19T64880	Bolt, for Transmission	-	-	-	3
13	22T43336	Nut	4	4	4	4
14	58T42775	Bottom Clamp	2	2	2	2
15	19T42777	Capscrew, 2.5"	2	2	2	2
16	19T43325	Capscrew	2	2	2	2
17	49T42560	Bushing	4	4	4	4
18	58T42276	Bracket Support	2	2	2	2



A Member of the Interpump Group

SP18-04 (Rev. 12-21)

201 East Jackson Street, Muncie, Indiana 47305
800-367-7867 • Fax: 765-284-6991 • info@munciepower.com

Specifications are subject to change without notice. Visit www.munciepower.com for warranties and literature. All rights reserved. © Muncie Power Products, Inc. (2018)