

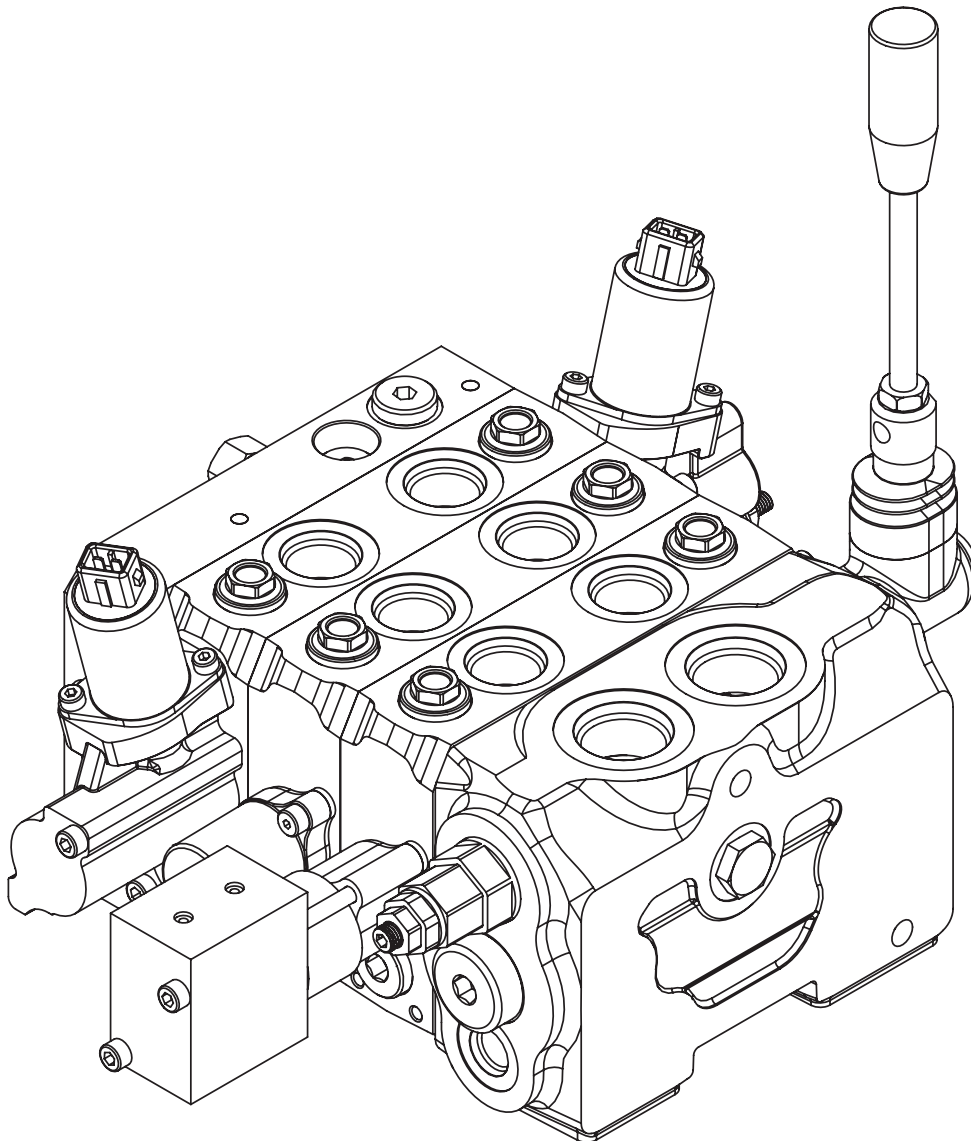


Muncie[®]
Power
Products

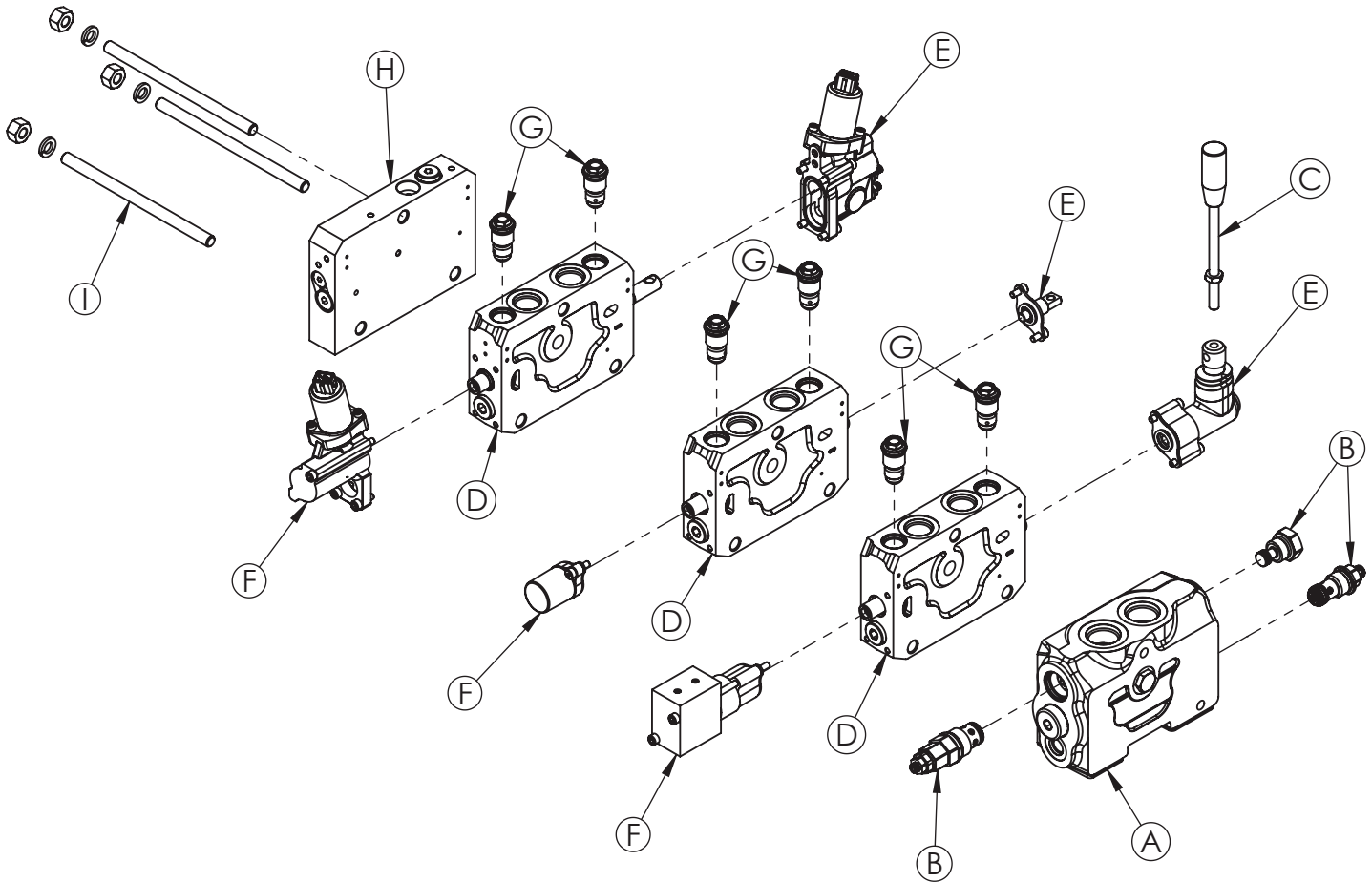
L125 SERIES

POST COMPENSATED SECTIONAL LOAD SENSE VALVE

PARTS LIST AND SERVICE MANUAL



L125 Assembly - Exploded View

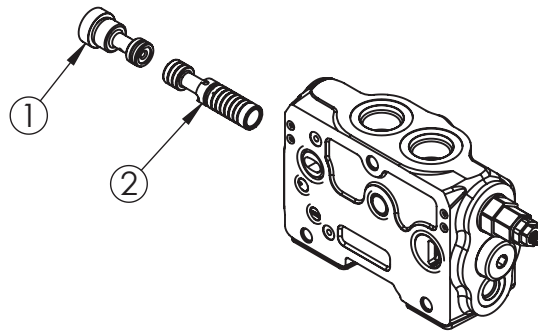


Item	Description	Page
A	Inlet Section	3-6
B	Inlet Relief Valve/Accessories	7-8
C	Lever Handle	9
D	Work Section	9
E	Control Options	10-12
F	Back-cap Options	12-18
G	Work Port Accessory Valves (Reliefs, etc.)	19-21
H	End Plate	22-23
N/A	Seal Kits	23
I	Stud Kits	24

Inlet Section

Kits for Variable or Fixed displacement pumps

L125-A-QK-J**-***-**-*

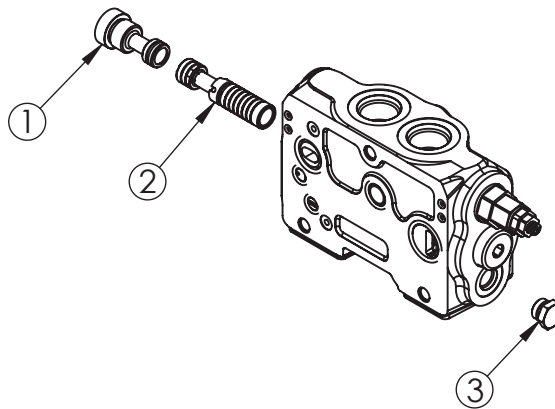


Kit Part Number

L125-A-IN-K2J-KIT, Kit to create inlet for variable displacement pump

Item	Description	P/N	Qty.
1	Inlet compensator plug, variable	N/A	1
2	Spool assembly, variable	N/A	1
Notes			
Item 1	Torque to 35 ± 1.8 lb.ft. (47.5 ± 2.5 Nm)		

L125-A-QK-K**-***-**-*

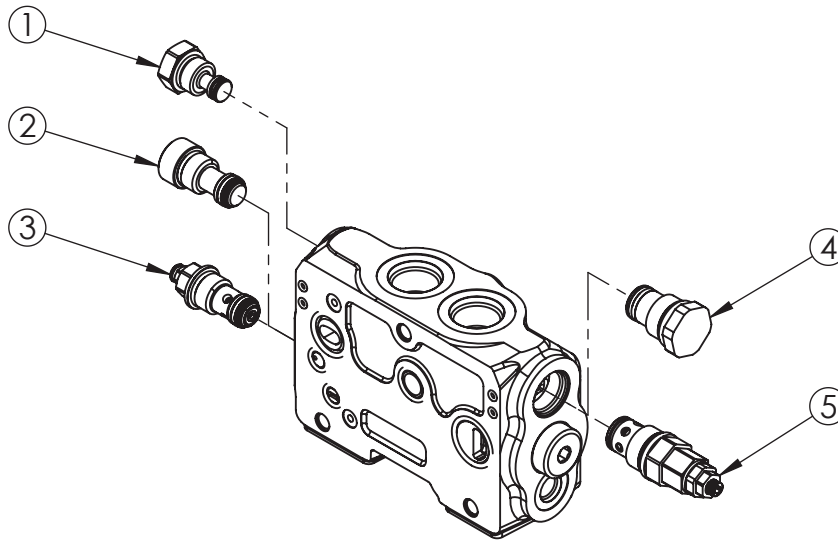


Kit Part Number

L125-A-IN-J2K-KIT, Kit to create inlet for fixed displacement pump

Item	Description	P/N	Qty.
1	Inlet compensator plug, fixed	N/A	1
2	Spool assembly, fixed	N/A	1
3	Steel plug, -6 SAE	N/A	1
Notes			
Item 1	Torque to 35 ± 1.8 lb.ft. (47.5 ± 2.5 Nm)		

Inlet Section - Plugs & RVs



Steel Plug and Relief Valve Information

Item	Description	P/N	Qty.
1	Steel plug for auxiliary port	L125-AB-XXLS-02	See Next Page
2	Steel plug used in place of LS relief valve	L125-AB-XXXX-LS	See Next Page
3	Inlet LS relief valve	See table below	See Next Page
4	Steel plug used in place of full flow main relief valve	L125-AB-XXXX	See Next Page
5	Inlet full flow relief valve	See table below	See Next Page

Notes

Item 1,2,&3	Torque to 35 ± 1.8 lb.ft. (47.5 ± 2.5 Nm)
Item 4&5	Torque to 44 ± 1.8 lb.ft. (60 ± 2.5 Nm)

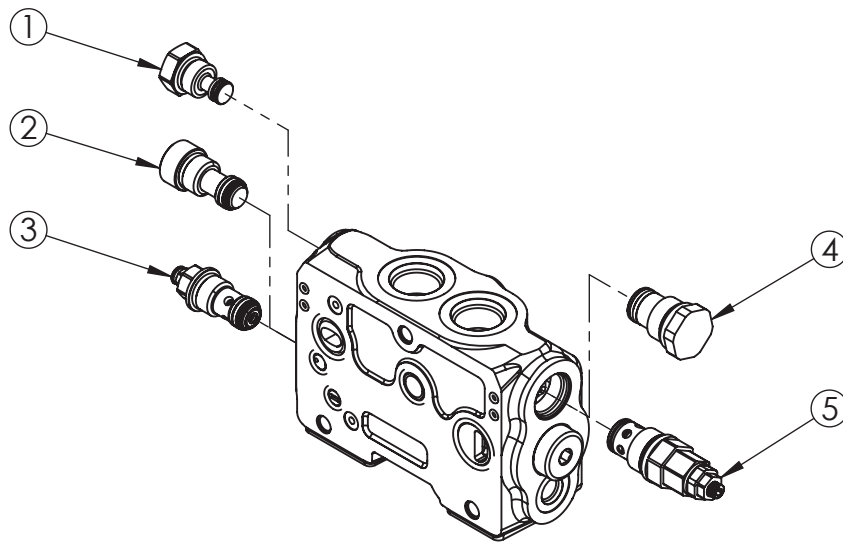
Relief Valve Options

Part Number	Type	Valve Set Point	Valve Adj. Range	Inlet Setting Code
L125-AB-L-125-LS	LS	1,812 PSI (125 BAR)	725 - 3,625 PSI (50 - 250 BAR)	13
L125-AB-L-150-LS	LS	2,175 PSI (150 BAR)	725 - 3,625 PSI (50 - 250 BAR)	15
L125-AB-L-200-LS	LS	2,900 PSI (200 BAR)	725 - 3,625 PSI (50 - 250 BAR)	20
L125-AB-L-240-LS	LS	3,480 PSI (240 BAR)	725 - 3,625 PSI (50 - 250 BAR)	24
L125-AB-N-165	Main	2,393 PSI (165 BAR)	580 - 2,900 PSI (40 - 200 BAR)	17
L125-AB-N-200	Main	2,900 PSI (200 BAR)	580 - 2,900 PSI (40 - 200 BAR)	20
L125-AB-R-250	Main	3,625 PSI (250 BAR)	2,915 - 6,090 PSI (201 - 420 BAR)	25
L125-AB-R-280	Main	4,060 PSI (280 BAR)	2,915 - 6,090 PSI (201 - 420 BAR)	28

Notes

LS relief valve must be, at minimum, 580 PSI (40 BAR) less than the Main relief valve when installed
--

Inlet Section - Configurations

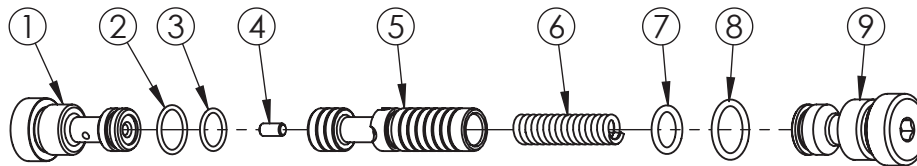


Inlet Configurations for Variable Displacement Pumps					
Item #:	Plug/RV Part Numbers				
	1	2	3	4	5
Description	Steel Plug, Aux	Steel Plug, LS RV	LS RV	Steel Plug, Main RV	Main RV
Inlet Part Number*	Quantity				
L125-A-QK-J00-##-##-X	1		1		1
L125-A-QK-J01-##-XX-X	1		1	1	
L125-A-QK-J19-XX-##-X	1	1			1
Notes					
1. ## = RV setting(s), see "Relief Valve Options" table on previous page for "inlet setting codes"					
2. LS relief valve must be, at minimum, 580 PSI (40 BAR) less than the Main relief valve when installed					

Inlet Configurations for Fixed Displacement Pumps					
Item #:	Plug/RV Part Numbers				
	1	2	3	4	5
Description	Steel Plug, Aux	Steel Plug, LS RV	LS RV	Steel Plug, Main RV	Main RV
Inlet Part Number*	Quantity				
L125-A-QK-K00-##-##-X	1		1		1
L125-A-QK-K01-##-XX-X	1		1	1	
L125-A-QK-K19-XX-##-X	1	1			1
Notes					
1. ## = RV setting(s), see "Relief Valve Options" table on previous page for "inlet setting codes"					
2. LS relief valve must be, at minimum, 580 PSI (40 BAR) less than the Main relief valve when installed					

Inlet Section - Compensators

Inlet Compensator Assembly for Variable Displacement Pumps



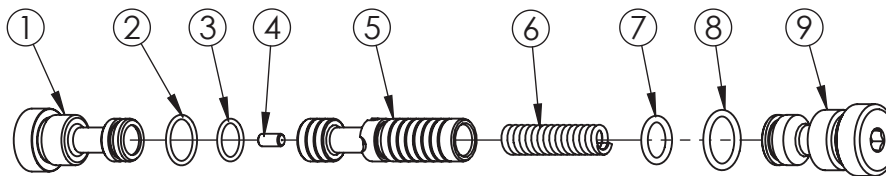
Compensator assembly not available for purchase. (See page 3 for available parts)

Item	Description	P/N	Qty.
1	Inlet compensator plug with oil passage holes	N/A	1
2	O-Ring, Viton, 70°Sh, 0.07" x 0.68" (1.78 x 17.17mm)	12T36880	1
3	O-Ring, Viton, 90°Sh, 0.07" x 0.55" (1.78 x 14.00mm)	N/A	1
4	Compensator spool plug, solid plug	N/A	1
5	Compensator spool	N/A	1
6	Compensator spring	N/A	1
7	O-Ring, Viton, 90°SH, 0.10" x 0.61" (2.62 x 15.54mm)	N/A	1
8	O-Ring, Viton, 70°SH, 0.10" x 0.74" (2.62 x 18.72mm)	12T35774	1
9	Compensator assembly plug	N/A	1

Control Notes

Item 1&9	Torque to 35 ± 1.8 lb.ft. (47.5 ± 2.5 Nm)
----------	---

Inlet Compensator Assembly for Fixed Displacement Pumps



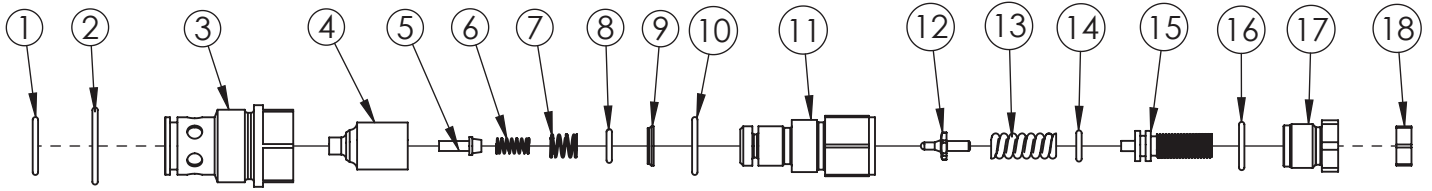
Compensator assembly not available for purchase. (See page 3 for available parts)

Item	Description	P/N	Qty.
1	Inlet compensator plug, solid plug	N/A	1
2	O-Ring, Viton, 70°Sh, 0.07" x 0.68" (1.78 x 17.17mm)	12T36880	1
3	O-Ring, Viton, 90°Sh, 0.07" x 0.55" (1.78 x 14.00mm)	N/A	1
4	Compensator spool plug, with 0.6mm orifice	N/A	1
5	Compensator spool	N/A	1
6	Compensator spring	N/A	1
7	O-Ring, Viton, 90°SH, 0.10" x 0.61" (2.62 x 15.54mm)	N/A	1
8	O-Ring, Viton, 70°SH, 0.10" x 0.74" (2.62 x 18.72mm)	12T35774	1
9	Compensator assembly plug	N/A	1

Control Notes

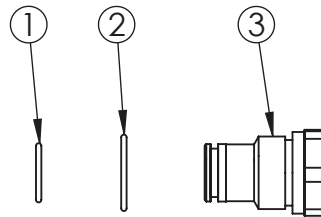
Item 1&9	Torque to 35 ± 1.8 lb.ft. (47.5 ± 2.5 Nm)
----------	---

Inlet Relief Valves



L125-AG-**** (See page 4 for standard main relief valve part numbers)

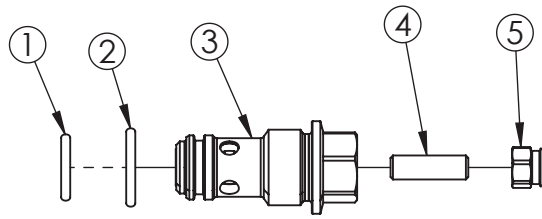
Item	Description	P/N	Qty.
1	O-Ring, Viton, 90°Sh, 0.07" x 0.61" (1.78 x 15.6mm)	N/A	1
2	O-Ring, Viton, 70°Sh, 0.07" x 0.86" (1.78 x 21.95mm)	12T35949	1
3	Main RV cartridge body	N/A	1
4	Poppet	N/A	1
5	Poppet	N/A	1
6	Spring	N/A	1
7	Spring	N/A	1
8	O-Ring, Viton, 70°Sh, 0.07" x 0.30" (1.78 x 7.65mm)	N/A	1
9	Slide ring	N/A	1
10	O-Ring, Viton, 70°Sh, 0.07" x 0.61" (1.78 x 15.6mm)	12T64426	1
11	Valve seat	N/A	1
12	Poppet	N/A	1
13	Spring	N/A	1
14	O-Ring, Viton, 70°Sh, 0.07" x 0.27" (1.78 x 6.75mm)	N/A	1
15	Adjusting screw	N/A	1
16	O-Ring, Viton, 70°Sh, 0.07" x 0.49" (1.78 x 12.42mm)	12T36526	1
17	Drilled plug	N/A	1
18	Jam nut	N/A	1
Control Notes			
Item 3&11	Torque to 52 ± 7 lb.ft. (70 ± 10 Nm)		
Item 17	Torque to 30 ± 2.5 lb.ft. (40 ± 3 Nm)		
Item 18	Torque to 11 ± 1.5 lb.ft. (15 ± 2 Nm)		



L125-AB-XXXX

Item	Description	P/N	Qty.
1	O-Ring, Viton, 90°Sh, 0.07" x 0.61" (1.78 x 15.6mm)	N/A	1
2	O-Ring, Viton, 70°Sh, 0.07" x 0.86" (1.78 x 21.95mm)	12T35949	1
3	Steel blanking plug	N/A	1
Control Notes			
Item 3	Torque to 52 ± 7 lb.ft. (70 ± 10 Nm)		

Inlet Load Sense Relief Valve



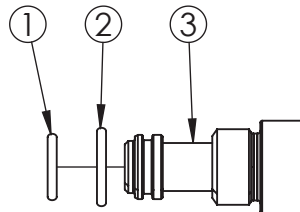
Part Number

L125-AB-**-LS**

Inlet Load Sense Relief Valve (Internal Parts no serviceable)

(See page 4 for standard inlet load sense relief valve part numbers)

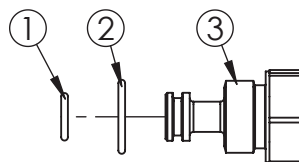
Item	Description	P/N	Qty.
1	O-Ring, Viton, 90°Sh, 0.07" x 0.55" (1.78 x 14.00mm)	N/A	1
2	O-Ring, Viton, 70°Sh, 0.07" x 0.68" (1.78 x 17.17mm)	12T36880	1
3	Load sense RV cartridge assembly (internal parts not serviceable)	N/A	1
4	Adjusting screw	N/A	1
5	M6 Jam nut	N/A	1
Control Notes			
Item 3	Torque to 33.2 - 37.0 lb.ft. (45 - 50 Nm)		
Item 5	Torque to 4.8 - 6.3 lb.ft. (6.5 - 8.5 Nm)		



Part Number

L125-AB-XXXX-LS (Used in place of the LS relief valve)

Item	Description	P/N	Qty.
1	O-Ring, Viton, 90°Sh, 0.07" x 0.55" (1.78 x 14.00mm)	N/A	1
2	O-Ring, Viton, 70°Sh, 0.07" x 0.68" (1.78 x 17.17mm)	12T36880	1
3	Steel blanking plug	N/A	1
Control Notes			
Item 3	Torque to 33.2 - 37.0 lb.ft. (45 - 50 Nm)		

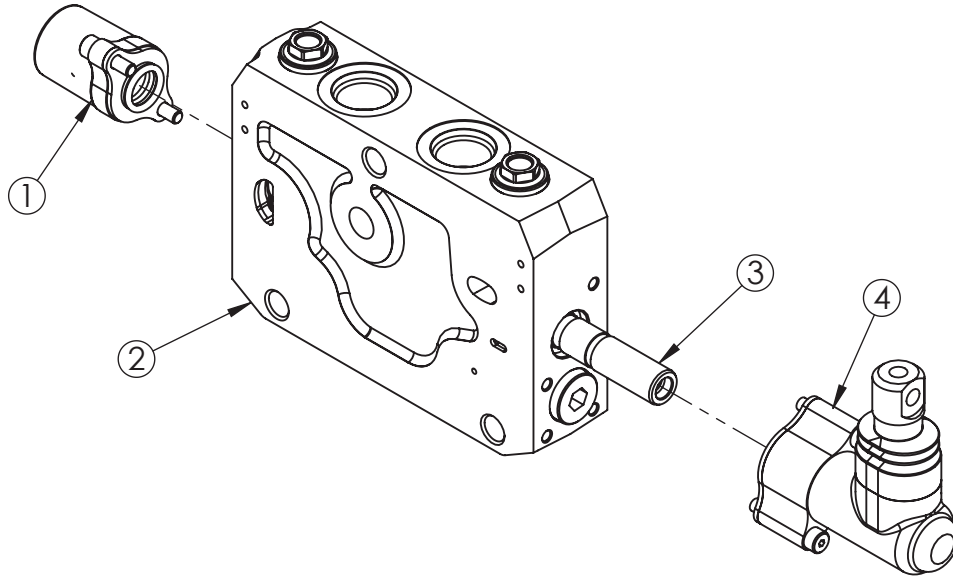


Part Number

L125-AB-XXLS-02 (Assembly plug in inlet)

Item	Description	P/N	Qty.
1	O-Ring, Viton, 90°Sh, 0.07" x 0.36" (1.78 x 9.25mm)	N/A	1
2	O-Ring, Viton, 70°Sh, 0.09" x 0.64" (2.21 x 16.36mm)	N/A	1
3	Steel blanking plug	N/A	1
Control Notes			
Item 3	Torque to 33.2 - 37.0 lb.ft. (45 - 50 Nm)		

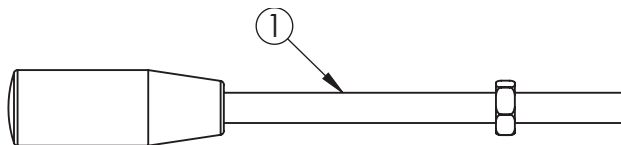
Work Section



Item	Description	P/N
1	Back-cap option (See pages 13-18 for more information)	L125-BC-**
2	Work section casting machined for work port options with -10 SAE ports	N/A
3	Spool (See table below for more information)	L125-SPL-**
4	Control option (See pages 10-12 for more information)	L125-CT-**

3 Position, 4 Way Spools		4 Position, 4 Way Spools		Max Flow
Double Acting Cylinder Spool	Double Acting Motor Spool	Double Acting Cylinder with Float Spool		GPM/LPM
L125-SPL-ZC-005	L125-SPL-YE-005	--		1.3 GPM (5 LPM)
L125-SPL-ZD-010	L125-SPL-YF-010	L125-SPL-XH-010		2.6 GPM (10 LPM)
L125-SPL-ZE-015	L125-SPL-YG-015	--		4.0 GPM (15 LPM)
L125-SPL-ZF-025	L125-SPL-YH-025	--		6.6 GPM (25 LPM)
L125-SPL-ZG-035	L125-SPL-YJ-035	L125-SPL-XM-035		9.2 GPM (35 LPM)
L125-SPL-ZJ-050	L125-SPL-YM-050	--		13.2 GPM (50 LPM)
L125-SPL-ZM-065	L125-SPL-YP-065	L125-SPL-XS-065		17.2 GPM (65 LPM)
L125-SPL-ZN-080	L125-SPL-YR-080	L125-SPL-XT-080		21 GPM (80 LPM)
L125-SPL-ZR-100	L125-SPL-YT-100	--		24.6 GPM (100 LPM)

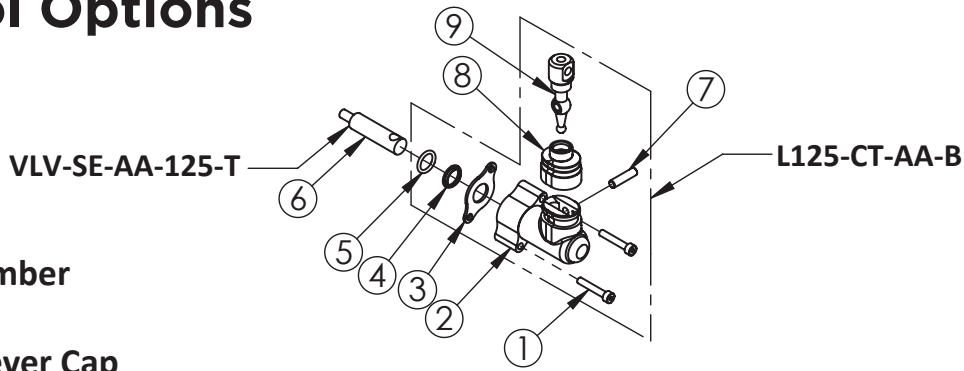
Lever Handle Kits



Item	Description	P/N
1	6.5" (164 mm) lever handle, M8 thread	VLVH-01B-164
	7" (180 mm) lever handle, M8 thread	VLVH-01B-180
	8" (204 mm) lever handle, M8 thread	VLVH-01B-204

Control Options

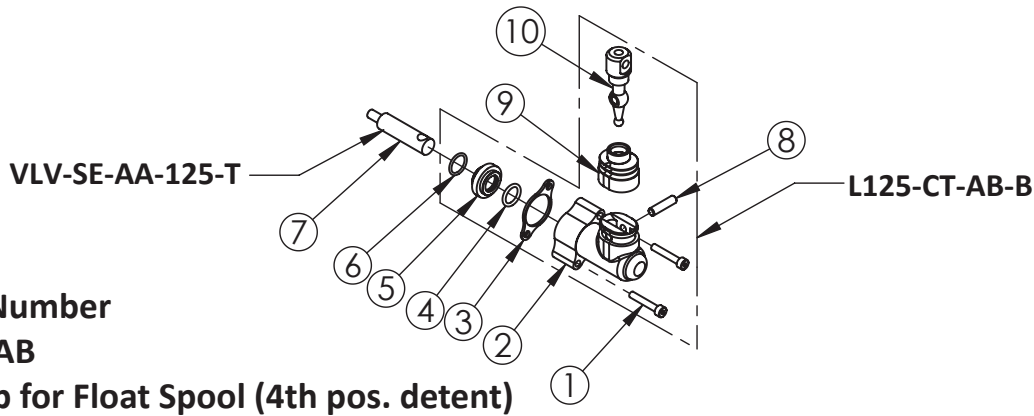
L125-CT-AA



Kit Part Number
L125-CT-AA
Standard Lever Cap

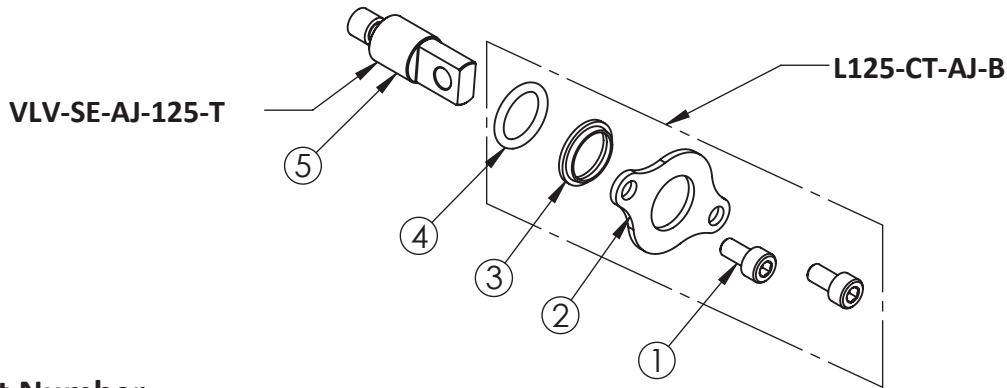
Item	Description	P/N	Qty.
1	Screw, M5x30 gr. 8.8 (UNI 5931)	N/A	2
2	Lever cap control housing	N/A	1
3	Mounting plate	N/A	1
4	O-Ring retainer	49T64767	1
5	O-Ring, Viton, 70°Sh, 0.10" x 0.55" (2.50 x 14.00 mm)	12T36899	1
6	Spool Connector for lever cap controls	VLV-SE-AA-125-T	1
7	Pivot pin	N/A	1
8	Rubber dust boot	N/A	1
9	Handle receiver & spool connector	N/A	1
Notes			
Item 1	Torque to 4.4 ± 0.3 ft.lb. (6 ± 0.4 Nm)		
Item 6	Clean the threads on item 6 and in the spool seat with a degreasing product. Apply 2 drops of LOCTITE 242 and torque item 6 to 7.4 ± 0.3 lb.ft. (10 ± 0.4 Nm). Be sure not to scratch or damage the spool.		

L125-CT-AB



Kit Part Number
L125-CT-AB
Lever Cap for Float Spool (4th pos. detent)

Item	Description	P/N	Qty.
1	Screw, M5x30 gr. 8.8 (UNI 5931)	N/A	2
2	Lever cap control housing	N/A	1
3	Mounting plate for float option	N/A	1
4	O-Ring, Viton, 70°Sh, 0.07" x 0.59" (1.80 x 15.00 mm)	N/A	1
5	Spacer bushing, for float option	N/A	1
6	O-Ring, Viton, 70°Sh, 0.10" x 0.55" (2.50 x 14.00 mm)	12T36899	1
7	Spool Connector for lever cap controls	VLV-SE-AA-125-T	1
8	Pivot pin	N/A	1
9	Rubber dust boot	N/A	1
10	Handle receiver & spool connector	N/A	1
Notes			
Item 1	Torque to 4.4 ± 0.3 ft.lb. (6 ± 0.4 Nm)		
Item 7	Clean the threads on item 7 and in the spool seat with a degreasing product. Apply 2 drops of LOCTITE 242 and torque item 7 to 7.4 ± 0.3 lb.ft. (10 ± 0.4 Nm). Be sure not to scratch or damage the spool.		



Kit Part Number

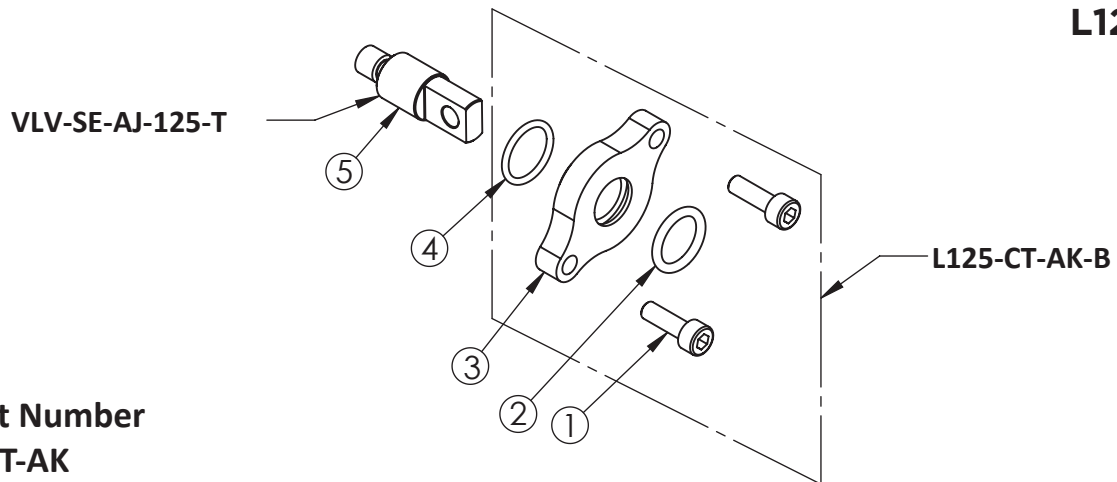
L125-CT-AJ

Spool Eye ONLY for Direct Connection

Item	Description	P/N	Qty.
1	Screw, M5 x 10 gr. 8.8 (UNI 5931)	N/A	2
2	Mounting plate	N/A	1
3	O-Ring retainer	49T64767	1
4	O-Ring, Viton, 70°Sh, 0.10" x 0.55" (2.50 x 14.00 mm)	12T36899	1
5	Spool connector for "exposed spool eye option"	N/A	1

Notes

Item 1	Torque to 4.4 ± 0.3 ft.lb. (6 ± 0.4 Nm)
Item 5	Clean the threads on item 5 and in the spool seat with a degreasing product. Apply 2 drops of LOCTITE 242 and torque item 5 to 7.4 ± 0.3 lb.ft (10 ± 0.4 Nm). Be sure not to scratch or damage the spool.



L125-CT-AK

Kit Part Number

L125-CT-AK

Spool Eye ONLY for Float Spool (4th pos. detent)

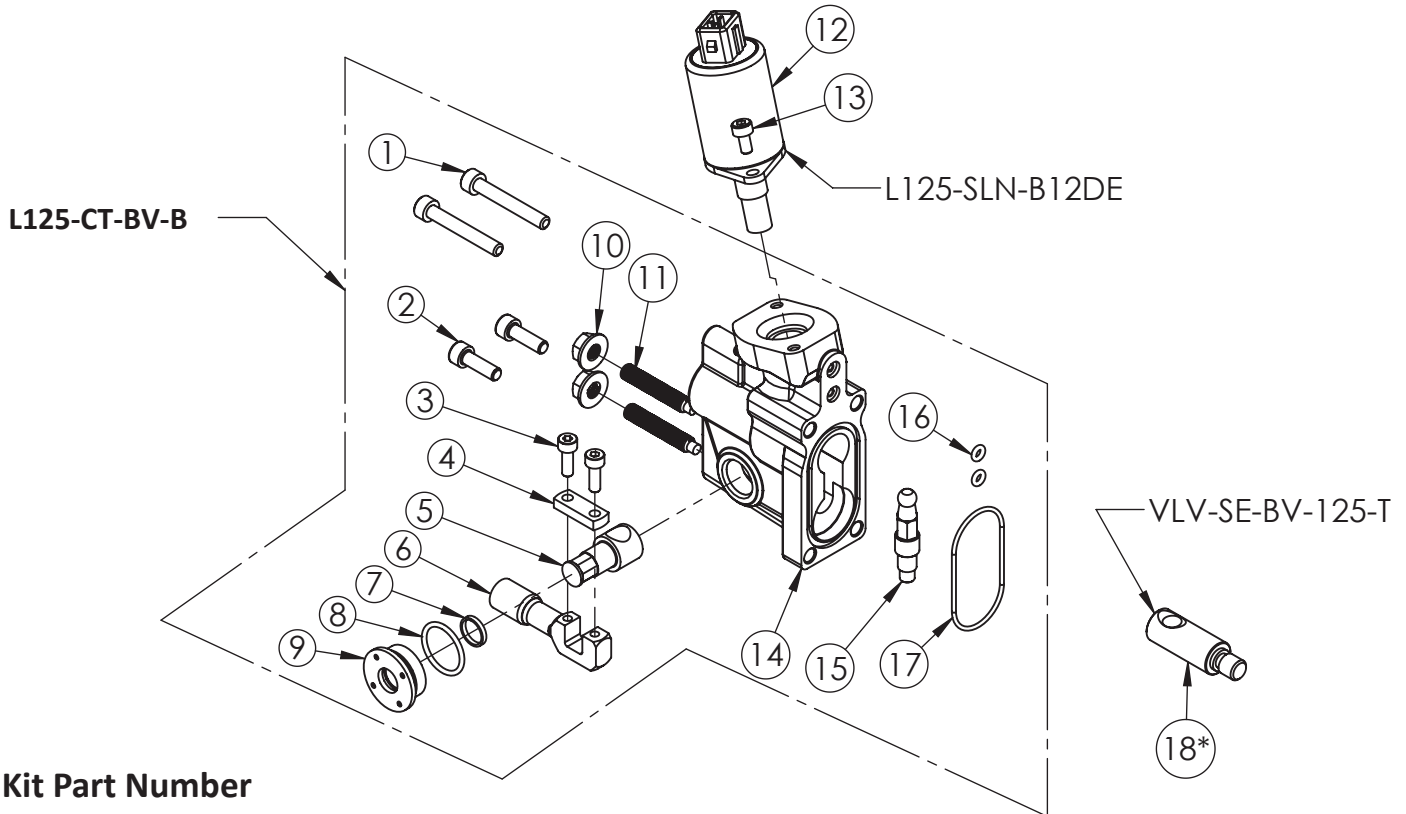
Item	Description	P/N	Qty.
1	Screw, M5 x 11 gr. 8.8 (UNI 5931)	N/A	2
2	O-Ring, Viton, 70°Sh, 0.10" x 0.55" (2.50 x 14.00 mm)	12T36899	1
3	Mounting plate	N/A	1
4	O-Ring, Viton, 70°Sh, 0.07" x 0.59" (1.80 x 15.00 mm)	N/A	1
5	Spool connector for "exposed spool eye option"	N/A	1

Notes

Item 1	Torque to 4.4 ± 0.3 ft.lb. (6 ± 0.4 Nm)
Item 5	Clean the threads on item 5 and in the spool seat with a degreasing product. Apply 2 drops of LOCTITE 242 and torque item 5 to 7.4 ± 0.3 lb.ft (10 ± 0.4 Nm). Be sure not to scratch or damage the spool.

Control Options

L125-CT-BV



Kit Part Number

L125-CT-BV

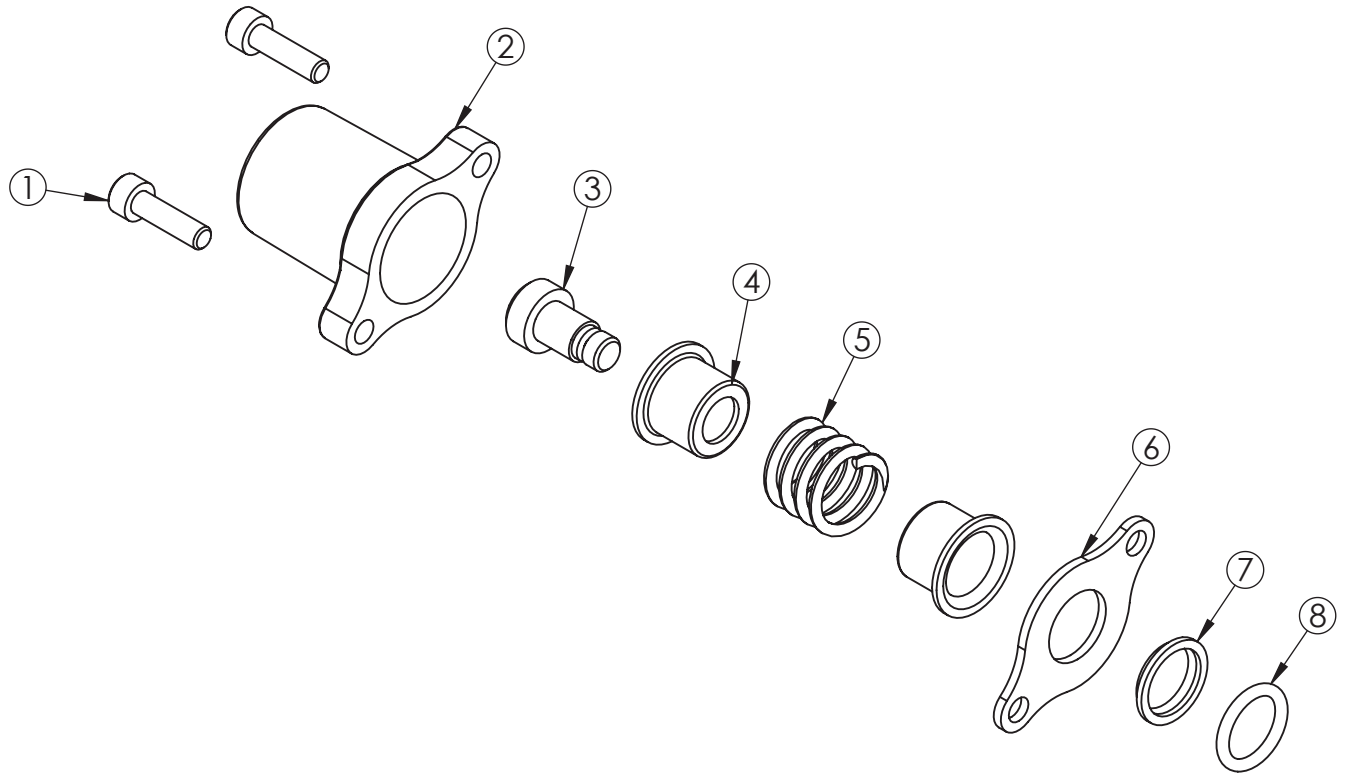
12 VDC Electrohydraulic Proportional Control w/Lever Connection & Stroke Limiter

(Must use L125-BC-49 with L125-CT-BV. Electrohydraulic control can only be installed on work sections pre-arranged with electrohydraulic pilots.)

Item	Description	P/N	Qty.
1	Screw, M5 x 35 gr. 8.8 (UNI 5931)	N/A	2
2	Screw, M5 x 16 gr. 8.8 (UNI 5931)	N/A	2
3	Screw, M4 x 10 gr. 8.8 (UNI 5931)	N/A	2
4	Retainer plate for lever receiver	N/A	1
5	Pivot pin	N/A	1
6	Lever receiver	N/A	1
7	Quad seal, Viton 70°Sh, 0.10" x 0.42" (2.62 x 10.77 mm)	12T36878	1
8	O-Ring, Viton 70°Sh, 0.07" x 0.68" (1.78x 17.17 mm)	12T36880	1
9	Drilled plug/pivot pin retainer	N/A	1
10	M6 flanged nut	N/A	2
11	M6 x 35 mm set screw (stroke limiter)	N/A	2
12	Solenoid valve, 12V, Deutsch DT4 (Comes with Item 13 if ordered separately)	L125SLNB12DE	1
13	Screw, M4 x 8 gr. 8.8 (UNI 5931)	N/A	2
14	Electrohydraulic control body	N/A	1
15	Electrohydraulic spool connector	N/A	1
16	O-Ring, Viton, 90°Sh, 0.06" x 0.12" (1.6 x 3.10 mm)	12T64435	2
17	O-Ring, Viton, 70°Sh, 0.07" x 1.61" (1.78 x 41.0 mm)	N/A	1
18*	Spool eye for electrohydraulic control	VLVSEBV125T	1

Back-cap Notes

Item 1 & 2	Torque to 4.4 ± 0.3 lb.ft. (6 ± 0.4 Nm)
Item 3 & 13	Torque to 1.5 ± 0.3 lb.ft. (2 ± 0.4 Nm)
Item 18*	Not included in L125-CT-BV, only required if not already installed on a spool.
	Clean the threads on item 18 and in the spool seat with a degreasing product. Apply 2 drops of LOCTITE 242 and torque item 18 to 7.4 ± 0.3 lb.ft. (10 ± 0.4 Nm). Be sure not to scratch or damage the spool.



Kit Part Number

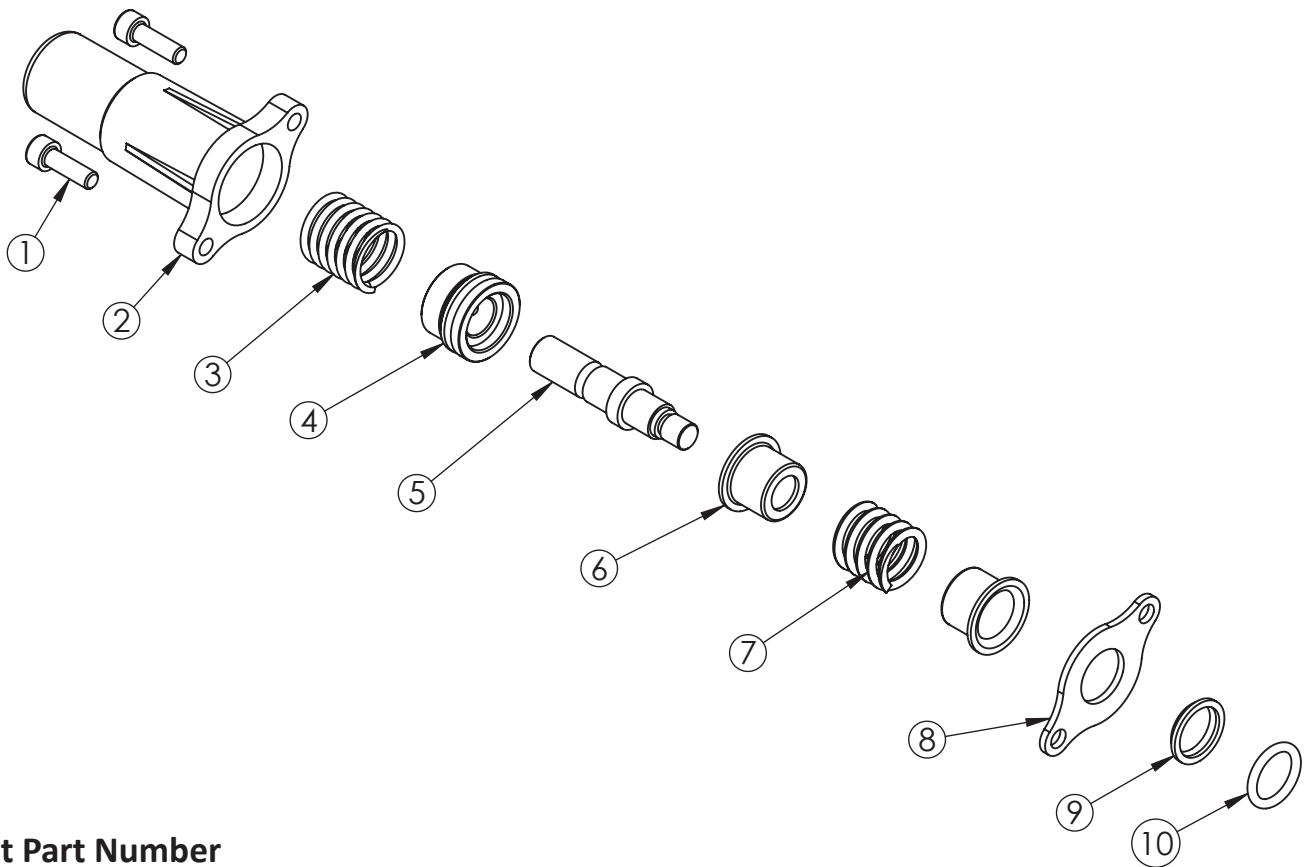
L125-BC-01

Standard 3 Position, Spring Center

Item	Description	P/N	Qty.
1	Screw, M5 x 18 gr. 8.8 (UNI 5931)	N/A	2
2	Back-cap housing	N/A	1
3	Back-cap spool connector	N/A	1
4	Spring support/spacer	N/A	2
5	Positioning spring	N/A	1
6	Back-cap mounting plate	N/A	1
7	O-Ring retainer	49T64767	1
8	O-Ring, 70°Sh, 0.10" x 0.55" (2.50 x 14.00mm)	12T36899	1

Back-cap Notes

Item 1	Torque to 4.4 ± 0.3 lb.ft. (6 ± 0.4 Nm)
Item 3	Clean the threads on item 3 and in the spool seat with a degreasing product. Apply 2 drops of LOCTITE 242 and torque item 3 to 7.4 ± 0.3 lb.ft. (10 ± 0.4 Nm). Be sure not to scratch or damage the spool.
Item 5	Generously apply multi-purpose grease to the spring prior to assembly to aid in the assembly process.



Kit Part Number

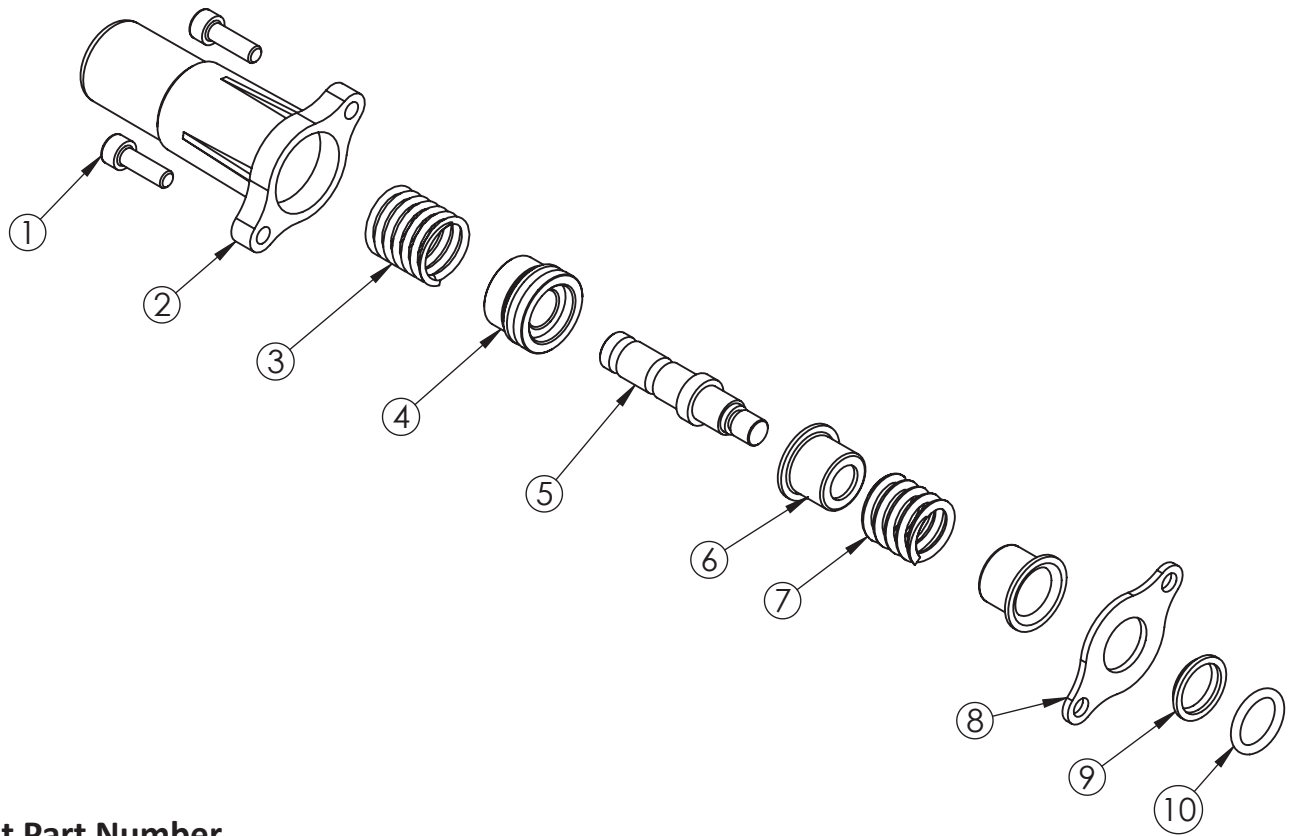
L125-BC-06

Detent Spool "IN", Spring "Out"

Item	Description	P/N	Qty.
1	Screw, M5 x 16 gr. 8.8 (UNI 5931)	N/A	2
2	Back-cap housing	N/A	1
3	Detent spring	N/A	1
4	Detent ball assembly	N/A	1
5	Back-cap spool connector for one position detent (detent spool "IN", spring "OUT")	N/A	1
6	Spring support/spacer	N/A	2
7	Positioning spring	N/A	1
8	Back-cap mounting plate	N/A	1
9	O-Ring retainer	49T64767	1
10	O-Ring, Viton, 70°Sh, 0.10" x 0.55" (2.50 x 14.00mm)	12T36899	1

Back-cap Notes

Item 1	Torque to 4.4 ± 0.3 lb.ft. (6 ± 0.4 Nm)
Item 3,4,7	Apply multi-purpose grease to the springs and detent ball assembly prior to assembly to aid in the assembly process.
Item 5	Clean the threads on item 5 and in the spool seat with a degreasing product. Apply 2 drops of LOCTITE 242 and torque item 5 to 7.4 ± 0.3 lb.ft. (10 ± 0.4 Nm). Be sure not to scratch or damage the spool.



Kit Part Number

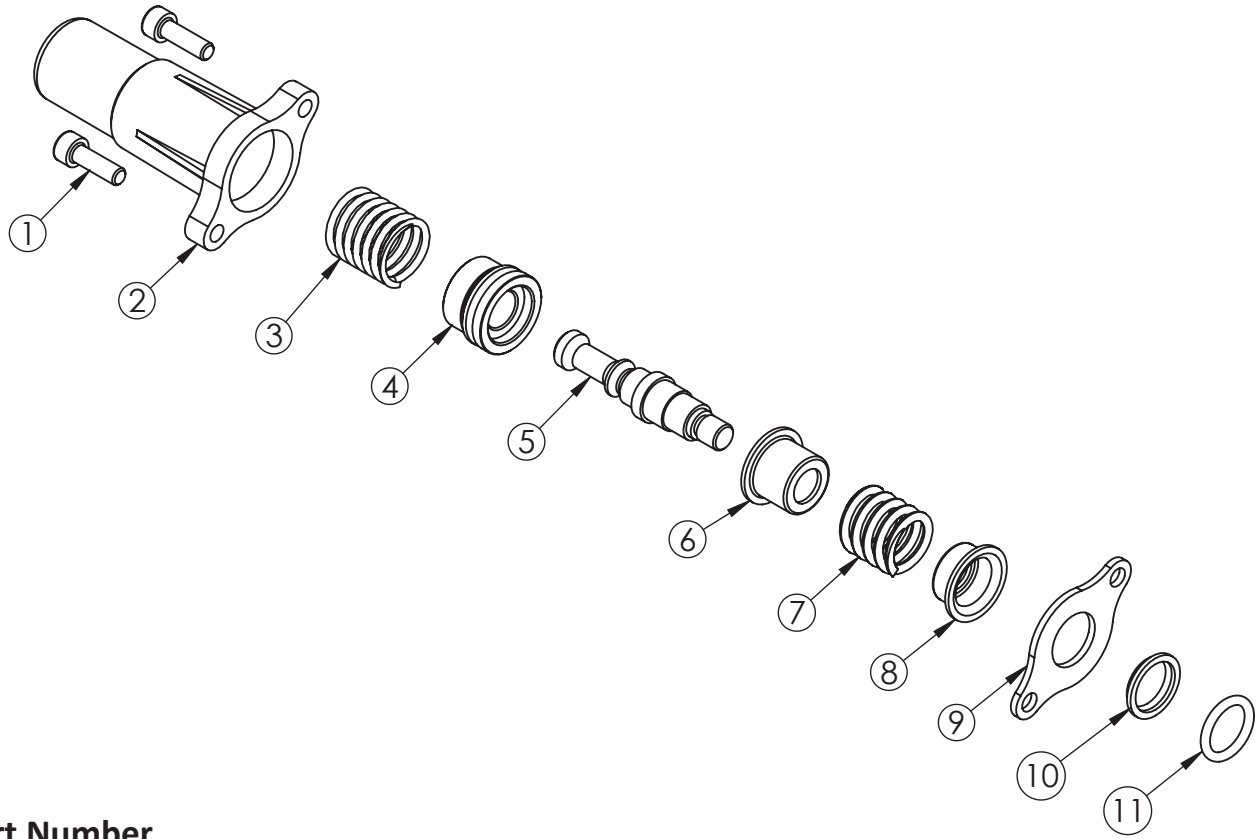
L125-BC-08

3 Position Detent in "A & B" ONLY, Spring Return to Neutral

Item	Description	P/N	Qty.
1	Screw, M5 x 16 gr. 8.8 (UNI 5931)	N/A	2
2	Back-cap housing	N/A	1
3	Detent spring	N/A	1
4	Detent ball assembly	N/A	1
5	Back-cap spool connector for "three" position detent (detent in "A & B" only)	N/A	1
6	Spring support/spacer	N/A	2
7	Positioning spring	N/A	1
8	Back-cap mounting plate	N/A	1
9	O-Ring retainer	49T64767	1
10	O-Ring, Viton, 70°Sh, 0.10" x 0.55" (2.50 x 14.00mm)	12T36899	1

Back-cap Notes

Item 1	Torque to 4.4 ± 0.3 lb.ft. (6 ± 0.4 Nm)
Item 3,4,7	Apply multi-purpose grease to the springs and detent ball assembly prior to assembly to aid in the assembly process.
Item 5	Clean the threads on item 5 and in the spool seat with a degreasing product. Apply 2 drops of LOCTITE 242 and torque item 5 to 7.4 ± 0.3 lb.ft. (10 ± 0.4 Nm). Be sure not to scratch or damage the spool.



Kit Part Number

L125-BC-12

3 Position, Spring Return with 4th Pos. Detent

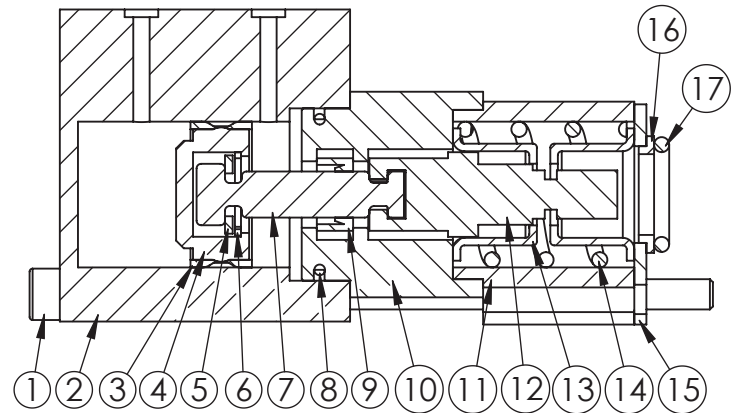
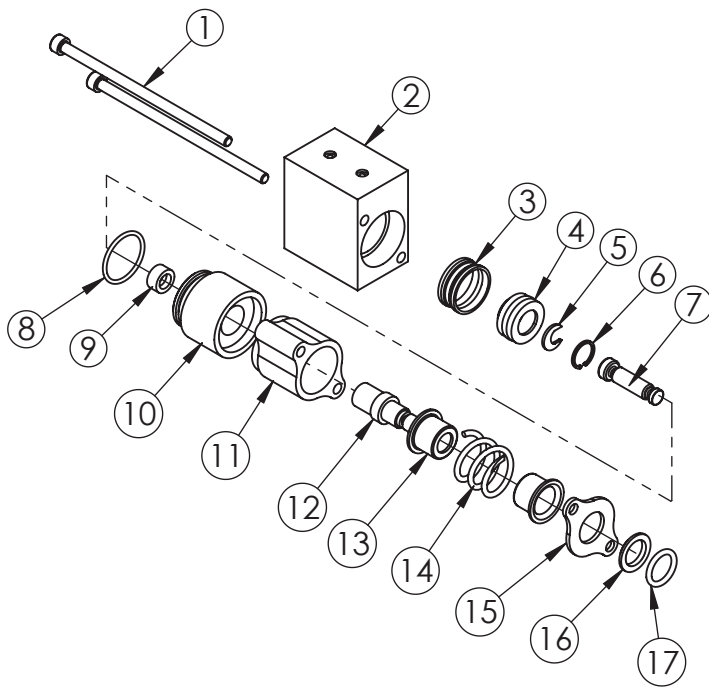
Item	Description	P/N	Qty.
1	Screw, M5 x 16 gr. 8.8 (UNI 5931)	N/A	2
2	Back-cap housing	N/A	1
3	Detent spring	N/A	1
4	Detent ball assembly	N/A	1
5	Back-cap spool connector for float spool (4th pos. detent)	N/A	1
6	Spring support/spacer (long)	N/A	1
7	Positioning spring	N/A	1
8	Spring support/spacer (short)	N/A	1
9	Back-cap mounting plate	N/A	1
10	O-Ring retainer	49T64767	1
11	O-Ring, Viton, 70°Sh, 0.10" x 0.55" (2.50 x 14.00mm)	12T36899	1

Back-cap Notes

Item 1	Torque to 4.4 ± 0.3 lb.ft. (6 ± 0.4 Nm)
Item 3,4,7	Apply multi-purpose grease to the springs and detent ball assembly prior to assembly to aid in the assembly process.
Item 5	Clean the threads on item 5 and in the spool seat with a degreasing product. Apply 2 drops of LOCTITE 242 and torque item 5 to 7.4 ± 0.3 lb.ft. (10 ± 0.4 Nm). Be sure not to scratch or damage the spool.

Back-cap Positioners & Controls

L125-BC-33



Section View

Part Number

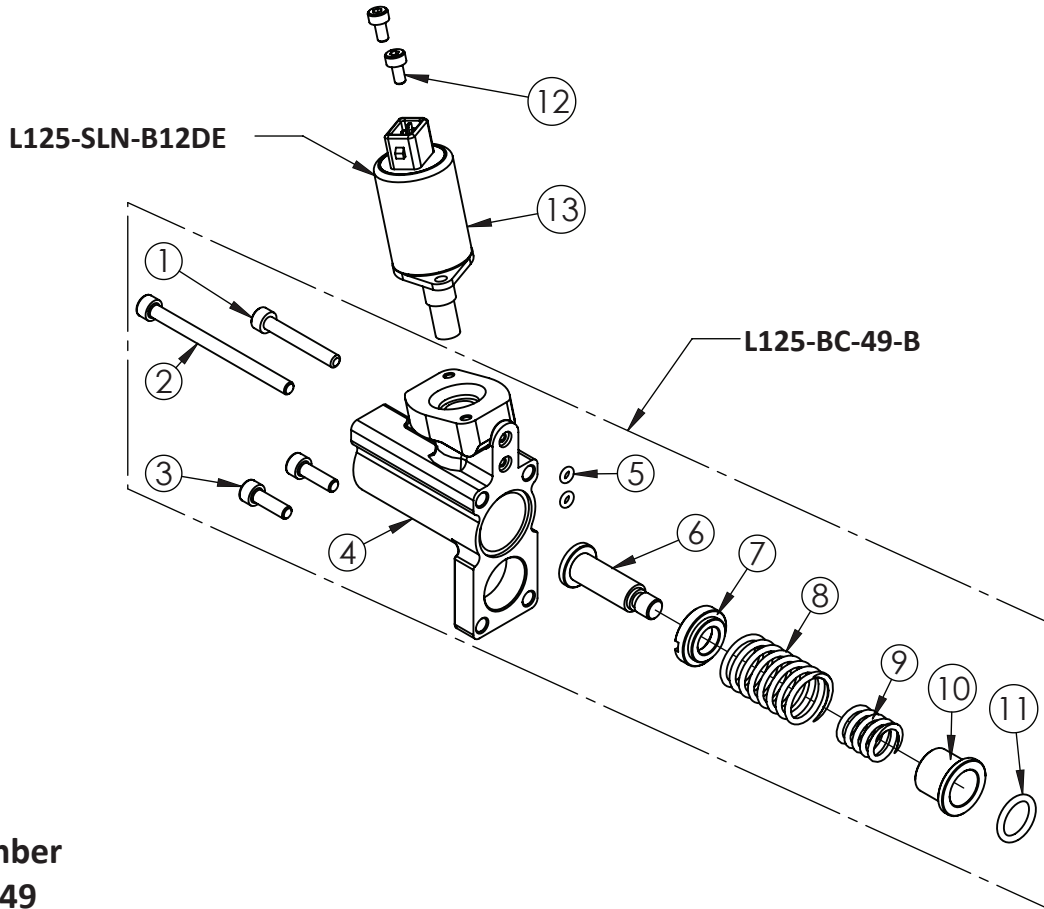
L125-BC-33

Pneumatic Shift (use w/control type AA, AE, or AJ)

Item	Description	P/N	Qty.
1	Screw, M5 x 110 gr. 8.8 (UNI 5931)	N/A	2
2	Pneumatic control cylinder housing	N/A	1
3	Piston seal	N/A	1
4	Pneumatic piston	N/A	1
5	Piston washer	N/A	1
6	Retaining ring	N/A	1
7	Pneumatic piston rod	N/A	1
8	O-Ring, Viton, 70°Sh, 0.07" x 1.05" (1,78 x 26.70mm)	N/A	1
9	Pneumatic piston rod seal	N/A	1
10	Pneumatic piston rod housing	N/A	1
11	Back-cap housing for pneumatic control	N/A	1
12	Back-cap spool connector for pneumatic control	N/A	1
13	Spring support/spacer	N/A	2
14	Spring	N/A	1
15	Mounting plate	N/A	1
16	O-Ring retainer	49T64767	1
17	O-Ring, Viton, 70°Sh, 0.10" x 0.55" (2.50 x 14.00mm)	12T36899	1

Back-cap Notes

Item 1	Torque to 4.4 ± 0.3 lb.ft. (6 ± 0.4 Nm)
Item 17	Not included in L125-CT-BV, only required if not already installed on a spool.
	Clean the threads on item 17 and in the spool seat with a degreasing product. Apply 2 drops of LOCTITE 242 and torque item 17 to 7.4 ± 0.3 lb.ft. (10 ± 0.4 Nm). Be sure not to scratch or damage the spool.



Part Number

L125-BC-49

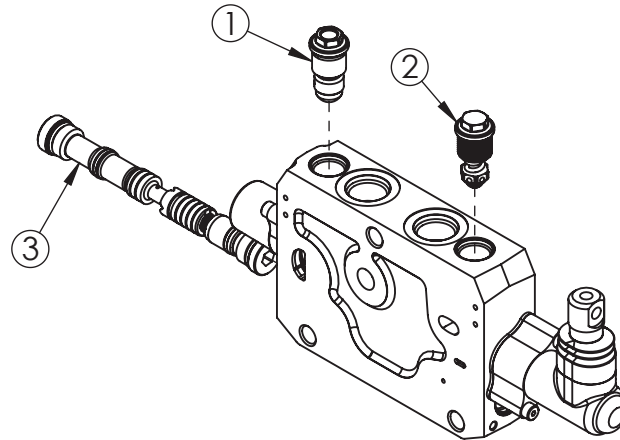
3 Position, Electrohydraulic Control, Proportional 12 VDC

Item	Description	P/N	Qty.
1	Screw, M5 x 35 gr. 8.8 (UNI 5931)	N/A	1
2	Screw, M5 x 70 gr. 8.8 (UNI 5931)	N/A	1
3	Screw, M5 x 16 gr. 8.8 (UNI 5931)	N/A	2
4	Electrohydraulic back-cap housing	N/A	1
5	O-Ring, 70°Sh, 0.06" x 0.12" (1.60 x 3.10mm)	12T64435	2
6	Back-cap spool connector for electrohydraulic control	N/A	1
7	Spring support/spacer (short)	N/A	1
8	Positioning spring	N/A	1
9	Small positioning spring	N/A	1
10	Spring support/spacer (long)	N/A	1
11	O-Ring, Viton, 70°Sh, 0.10" x 0.55" (2.5 x 14.00mm)	12T36899	1
12	Screw, M4 x 8 gr. 8.8 (UNI 5931)	N/A	2
13	Solenoid valve, 12V, Deutsch DT4 (Comes with Item 12 if ordered separately)	L125SLNB12DE	1

Back-cap Notes

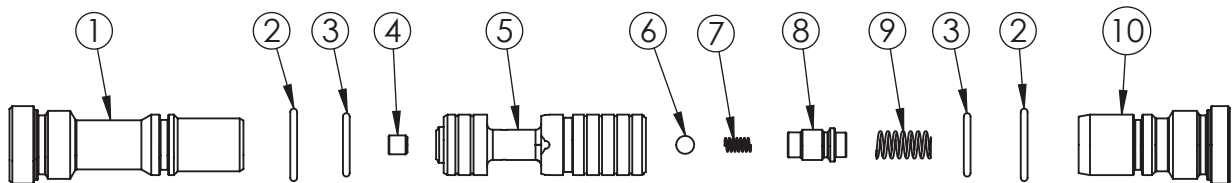
Item 1,2,3	Torque to 4.4 ± 0.3 lb.ft. (6 ± 0.4 Nm)
Item 6	Clean the threads on item 6 and in the spool seat with degreasing product. Apply 2 drops of LOCTITE 242 and torque item 6 to 7.4 ± 0.3 lb.ft. (10 ± 0.4 Nm). Be sure not to scratch or damage the spool.
Item 8 & 9	Apply multi-purpose grease to the springs prior to assembly
Item 12	Torque to 1.5 ± 0.3 lb.ft. (2 ± 0.4 Nm)

Work Section Cartridge Valves & Local Compensator



Item	Description	P/N	Qty.
1	L125-WCS-XXXX	20	1 or 2
2	L125-W33-Z***	20	1 or 2
3	Work section compensator assembly	19	1
Work Section Notes			
Item 1 & 2	Torque to 29.5 lb.ft. (40 Nm)		

Work Section Compensator

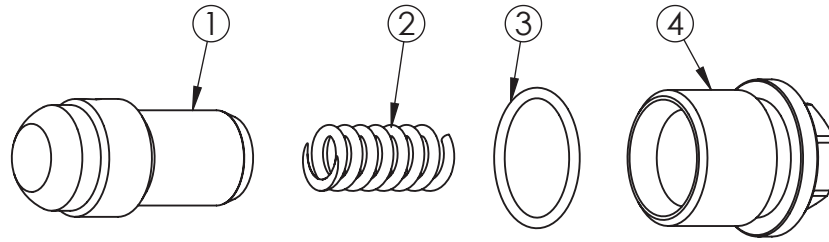


Work section compensator shown for assembly purposes only, not available for purchase.

Item	Description	P/N	Qty.
1	Long compensator assembly plug for work section (A Side)	N/A	1
2	O-Ring, Viton, 70°Sh, 0.07" x 0.61" (1.78 x 15.60mm)	12T64426	2
3	O-Ring, Viton, 90°Sh, 0.07" x 0.52" (1.78 x 13.29mm)	N/A	2
4	Plug with orifice	N/A	1
5	Compensator spool for work section	N/A	1
6	Steel ball	N/A	1
7	Compensator small spring	N/A	1
8	Compensator plug with orifice	N/A	1
9	Main compensator spring	N/A	1
10	Short compensator assembly plug for work section (B Side)	N/A	1
Work Section Notes			
Item 1&10	Torque to 26 lb.ft. (35 Nm)		

Work Port Accessory Options

L125-WCX-XXXX



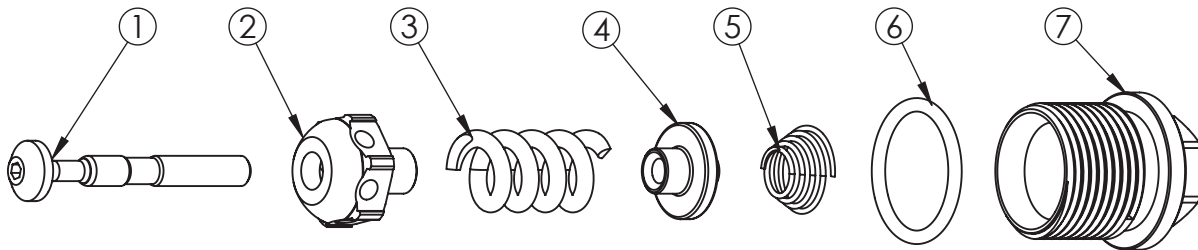
Kit Part Number
L125-WCX-XXXX
Blanking Plug

Item	Description	P/N	Qty.
1	Plunger for steel plug	N/A	1
2	Spring	N/A	1
3	O-Ring, Viton, 70°Sh, 0.07" x 0.76" (1.78 x 19.32mm)	N/A	1
4	Steel plug body	N/A	1

Outlet Notes

Item 4	Torque to 29.5 lb.ft. (40 Nm)
--------	-------------------------------

L125-W33-Z***



Kit Part Number
L125-W33-Z***

Work Port Relief Valve + Anti-Cavitation Valve

Item	Description	P/N	Qty.
1	Assembly screw	N/A	1
2	Relief valve + anti-cavitation plunger	N/A	1
3	Work port RV +AC spring	N/A	1
4	Spring seat	N/A	1
5	Light spring	N/A	1
6	O-Ring, Viton, 70°Sh, 0.07" x 0.76" (1.78 x 19.32mm)	N/A	1
7	Main body, relief valve + anti-cavitation	N/A	1

Outlet Notes

Item 7	Torque to 29.5 lb.ft. (40 Nm)
--------	-------------------------------

Relief Valve Options		
Part Number	Cartridge Valve Set Point	Additional Info
L125-W33-Z050	Set @ 725 PSI (50 BAR)	Non-adjustable relief setting
L125-W33-Z080	Set @ 1,200 PSI (80 BAR)	
L125-W33-Z130	Set @ 1,900 PSI (130 BAR)	

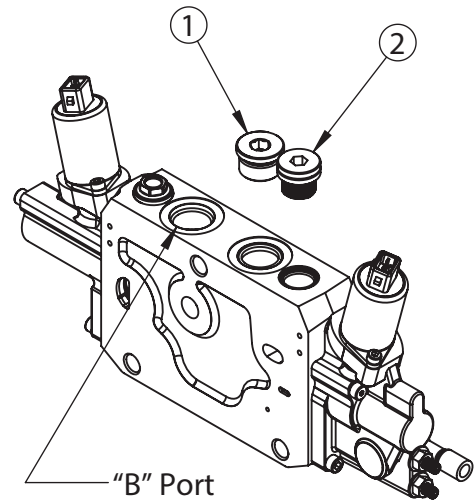
Work Section Additional Options

Kit Part Number

L125-SAP-56-B

Item	Description	P/N	Qty.
1	-10 SAE steel plug	HHBP10Z	1
2	Steel blanking plug	25T44758	1
Outlet Notes			
Item 1	Torque to 44 lb.ft. (60 Nm)		
Item 2	Torque to 30 lb.ft. (40 Nm)		

In the work section model code: L125-**-**-**-**-56X
 This creates a “single acting” function on the “B” port

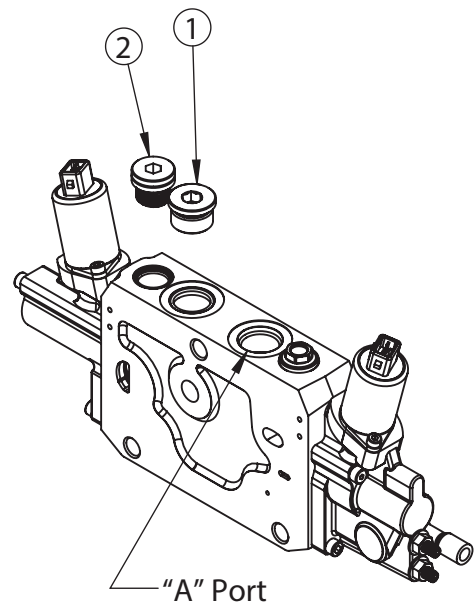


Kit Part Number

L125-SAP-57-A

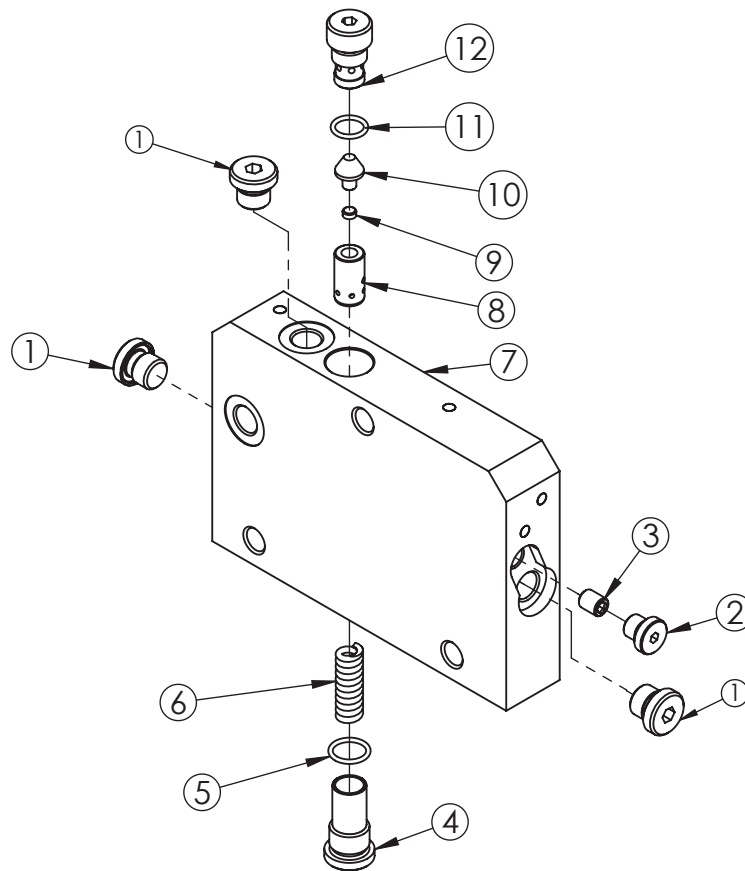
Item	Description	P/N	Qty.
1	-10 SAE steel plug	HHBP10Z	1
2	Steel blanking plug	25T44758	1
Outlet Notes			
Item 1	Torque to 44 lb.ft. (60 Nm)		
Item 2	Torque to 30 lb.ft. (40 Nm)		

In the work section model code: L125-**-**-**-**-57X
 This creates a “single acting” function on the “A” port



End Kit

L125-C-ER-2EH-XXX



Kit Part Number

L125-C-ER-2EH-XXX

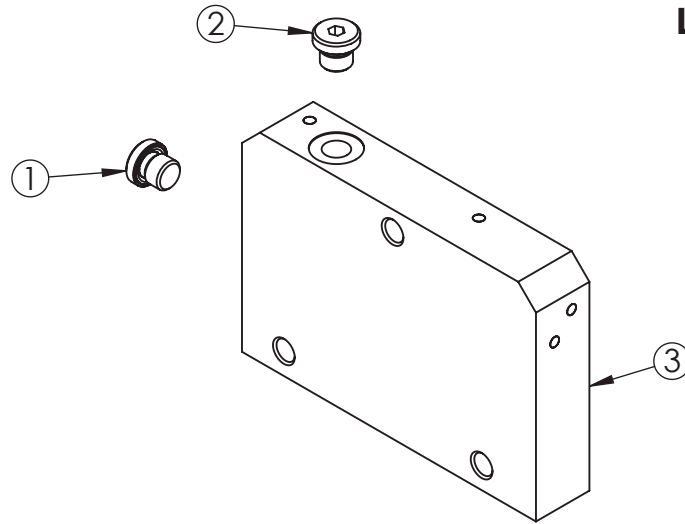
End Plate for Electrohydraulic Shift Option (must use with L125-CT-BV).

****One of the drain ports must be plumbed to tank.**

Item	Description	Part Number	Qty.
1	-6 SAE plug assembly	N/A	3
2	-3 SAE plug assembly	N/A	1
3	End plate option plug	N/A	1
4	Pressure reducing valve plug	N/A	1
5	O-Ring, 70°Sh, 0.07" x 0.66" (1.78 x 16.85mm)	12T36880	1
6	Pressure reducing valve spring	N/A	1
7	End plate casting	N/A	1
8	Hydraulic pilot spool	N/A	1
9	Puck	N/A	1
10	Pressure reducing valve dart cone	N/A	1
11	O-Ring, 70°Sh, 0.07" x 0.59" (1.78 x 14.98mm)	N/A	1
12	Pressure reducing valve plug 2	N/A	1
Outlet Notes			
Item 1	Torque to 22 lb.ft (30 Nm)		
Item 2	Torque to 11 lb.ft (15 Nm)		
Item 4	Torque to 26 lb.ft (35 Nm)		
Item 12	Torque to 18 lb.ft (25 Nm)		

End Plate

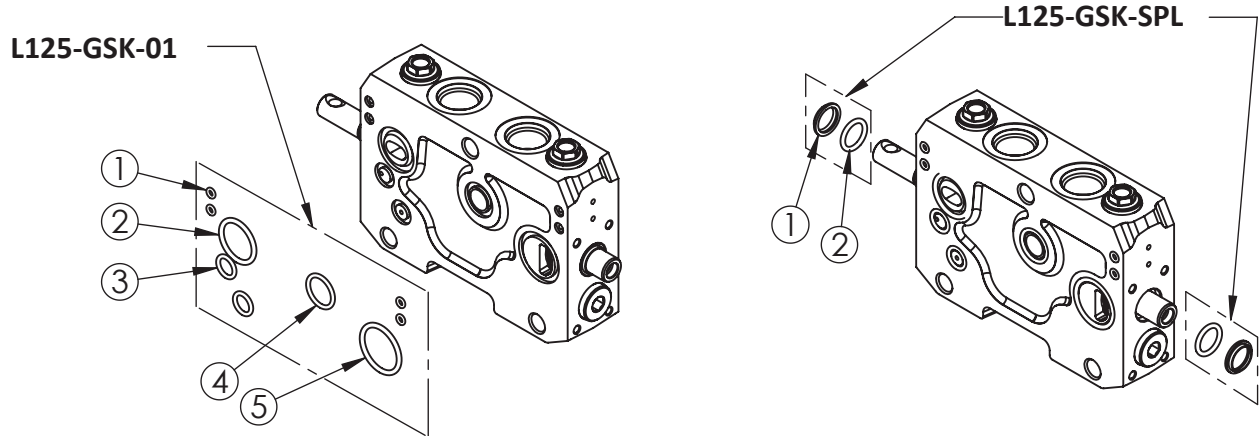
L125-C-ER-1MI-XXX



Kit Part Number
L125=C-ER-1MI-XXX
End Plate for Manual Controls

Item	Description	Part Number	Qty.
1	-6 SAE plug assembly	N/A	1
2	-3 SAE plug assembly	N/A	1
3	End plate casting	N/A	1
Outlet Notes			
Item 1&2	Torque to 22 lb.ft. (30 Nm)		

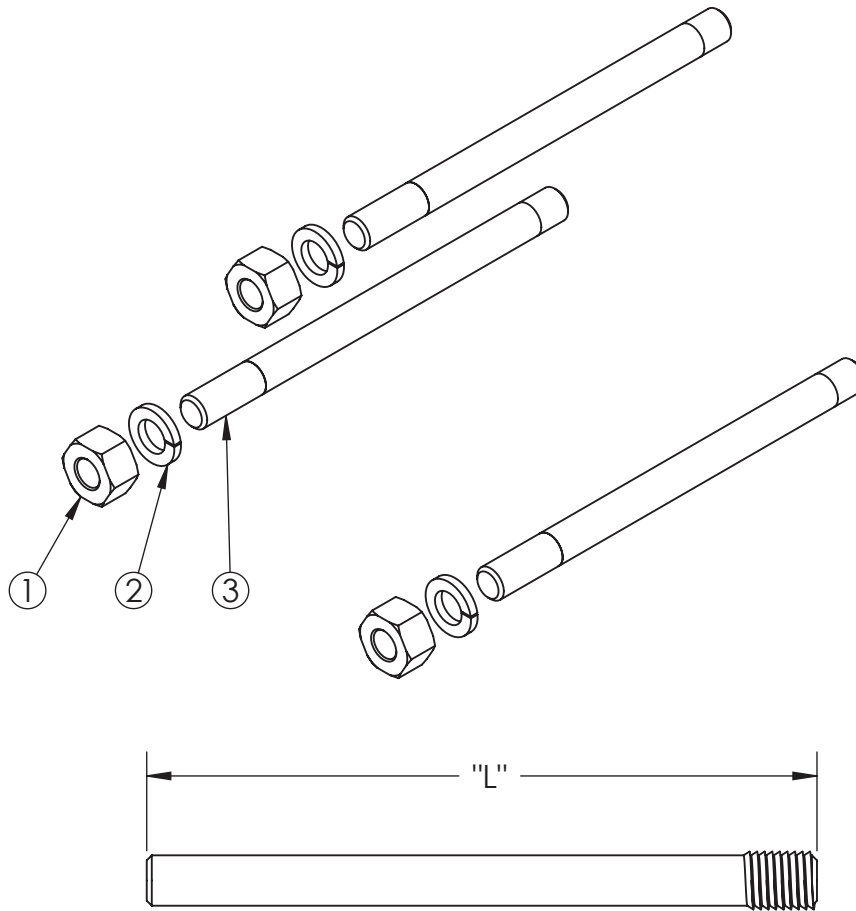
Seal Kits for Inlets and Work Sections



Item	Description	Part Number	Qty.
KIT:	L125-GSK-01		
1	O-Ring, Viton, 90°Sh, 0.06" x 0.12" (1.60 x 3.10mm)	12T64435	4
2	O-Ring, Viton, 90°Sh, 0.10" x 0.86" (2.62 x 21.89mm)	12T64572	1
3	O-Ring, Viton, 70°Sh, 0.09" x 0.39" (2.20 x 10.00mm)	12T64437	2
4	O-Ring, Viton, 70°Sh, 0.09" x 0.65" (2.21 x 16.63mm)	12T64436	1
5	O-Ring, Viton, 70°Sh, 0.07" x 0.99" (2.78 x 25.07mm)	12T35577	1

Item	Description	Part Number	Qty.
KIT:	L125-GSK-SPL		
1	O-Ring retainer	49T64767	2
2	O-Ring, Viton, 70°Sh, 0.10" x 0.55" (2.50 x 14.00mm)	12T36899	2

Stud Kits



Item	Description	P/N	Qty.
1	Lock-nut, M12 (UNI 7473)	22T43850	3
2	Washer	21T43602	3
3	Tie Rod	N/A	3
KIT INFO			
Item	Description	KIT P/N	"L" IN (mm)
N/A	Stud kit for 1 w.s. assy	L125-T01	3.7 (95)
N/A	Stud kit for 2 w.s. assy	L125-T02	5.24 (133)
N/A	Stud kit for 3 w.s. assy	L125-T03	6.77 (172)
N/A	Stud kit for 4 w.s. assy	L125-T04	8.27 (210)
N/A	Stud kit for 5 w.s. assy	L125-T05	9.76 (248)
N/A	Stud kit for 6 w.s. assy	L125-T06	11.29 (287)
N/A	Stud kit for 7 w.s. assy	L125-T07	12.76 (324)
N/A	Stud kit for 8 w.s. assy	L125-T08	14.21 (361)
N/A	Stud kit for 9 w.s. assy	L125-T09	15.75 (400)
N/A	Stud kit for 10 w.s. assy	L125-T10	17.24 (438)
Stud Kit Notes			
Item 1&3	Torque to 29.5 ± 1 lb.ft. (40 ± 5 Nm)		



A Member of the Interpump Group

SP19-01 (Rev. 01-22)

201 East Jackson Street, Muncie, Indiana 47305
800-367-7867 • Fax: 765-284-6991 • info@munciepower.com

Specifications are subject to change without notice. Visit www.munciepower.com for warranties and literature. All rights reserved. © Muncie Power Products, Inc. (2019)