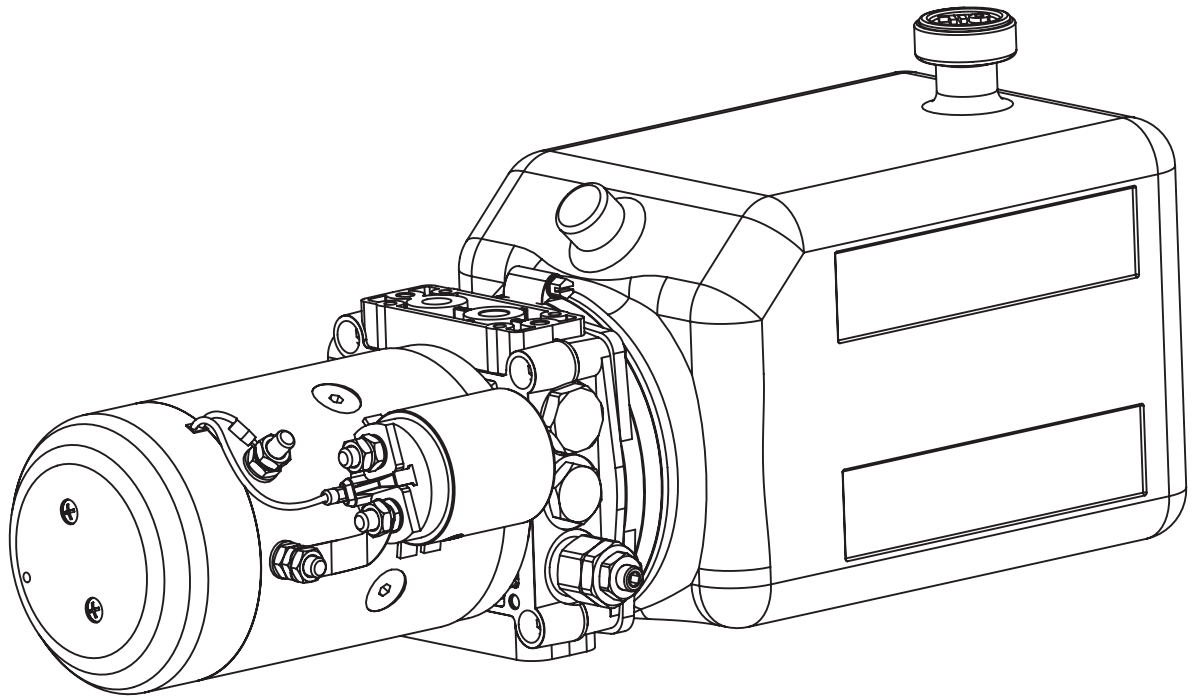




Muncie®
Power
Products

MUNCIE POWER HYDRAULIC POWER PACKS

PARTS LIST AND SERVICE MANUAL



DC POWER PACK MODEL NUMBER CONSTRUCTION

LP 1 A - 4 H P J 06 - 000 C

DC Power Pack

LP _____

Design Number

1 _____

Motors

- A— 12 VDC Intermittent
- B— 24 VDC Continuous
- C— 24 VDC Intermittent
- D— 24 VDC Continuous
- E— 120 VAC Intermittent
- F— 120 VAC Continuous

Functions

- 0— Pump/Motor Only
- 1— Pump/Motor/Reservoir/Enclosure
Use Mounting Position V
- 2— Pump/Motor/Reservoir/Manifold
Mounting
*Pad for Multiple Functions**
- 3— Pump/Motor/Reservoir/3-Way
- 4— Pump/Motor/Reservoir/4-Way

Mountings

- H— Horizontal (Std.)
- V— Vertical (5.3 & 8.5 qt. Poly Only)

Reservoir Types

- S — Steel
- P — Polyethylene (Std.)
- X — None

Operator Controls

- A— No Controls
- C— Corded Electronic Control
- M— Manual Control

Assembly Code

000 — Number Increments for Variations

Pump Sizes

- 03— 1.00 cc/0.061 cu.in. (3,000 PSI Max)
- 04— 1.25 cc/0.076 cu.in. (3,000 PSI Max)
- 05— 1.60 cc/0.097 cu.in. (3,000 PSI Max)
- 06— 2.00 cc/0.122 cu.in. (3,000 PSI Max)
- 07— 2.50 cc/0.152 cu.in. (3,000 PSI Max)
- 08— 3.15 cc/0.192 cu.in. (2,500 PSI Max)

Reservoir Sizes*

X— None

Steel

- A— 2.1 qt. (2.0 L)
- B— 4.2 qt. (4.0 L)
- C— 8.4 qt. (8.0 L)
- D— 10.5 qt. (10.0 L)
- E— 15.8 qt. (15.0 L)
- S— 8.4 qt. (8.0 L)

Polyethylene

- F— 1.6 qt. (1.5 L)
- H— 3.2 qt. (3.0 L)
- J— 5.3 qt. (5.0 L) (Std.)
- K— 8.5 qt. (8.0 L)
- L— 10.5 qt. with enclosure (Function Type 1 Only)

Notes:

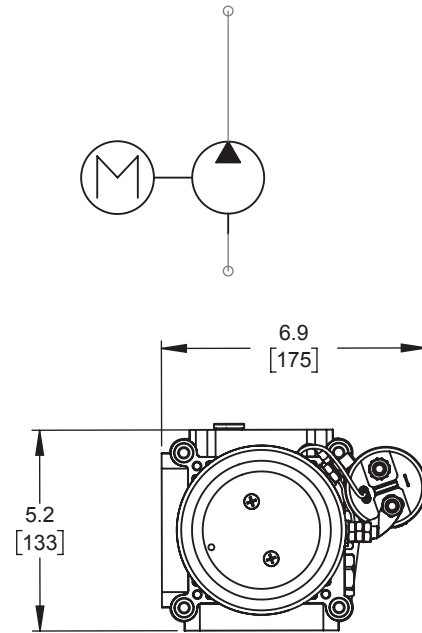
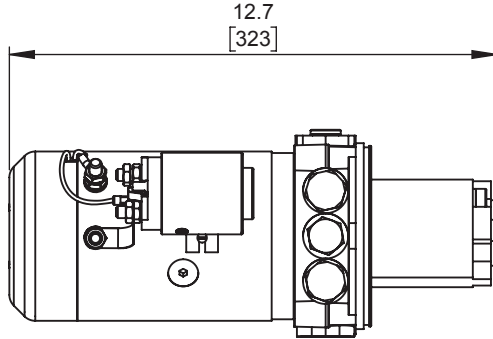
Approximate weight is 32 lbs. (14.5 Kg) with standard 5.3 qt. poly reservoir. Add 10 lbs. (4.5 Kg) for largest 15.8 qt. steel reservoir.

* Mounting plates & Valves sold separately, unless included in assembly code.

PART NUMBER	TYPICAL APPLICATION	DESCRIPTION
LP1A-0HXX06-000-A	Aux. Power Supply	Pump/Motor only
LP1A-2HPJ06-000-A	Aux. Power Supply	Pump/Motor/5.3 qt. Reservoir – Will accept NFPA - D03 Valve
LP1A-2HPF06-100-C	Snow Plow (Basic)	Plow Up/Down, Left/Right, PO Checks, 4-Button Control, Crossover RVs, 1.5 qt. Res.
LP1A-3HPJ06-020-C	SA Cylinder	2P3W Valve, Check, Relief Valve, Corded Control, 5.3 qt. Res.
LP1A-3HPJ06-060-M	Lift Gate (SA Cyl.)	2P3W Valve, Check, Relief Valve, Corded Control, 5.3 qt. Res.
LP1A-4HPJ06-000-C	DA Cylinder	2P4W Valve, Check, Relief Valve, Corded Control, 5.3 qt. Res.
LP1A-4HPJ06-020-C	Bale Spike (DA Cyl.)	2P4W Valve, Check, PO Checks, Relief Valve, Corded Control, 5.3 qt. Res.
LP1A-4HPK06-100-C	DA Dump Body	3P4W Valve, Check, Relief Valve, Port Relief, Flow Control, Corded Control, 5.3 qt. Res.
LP1A-4HPJ06-040-M	DA Cylinders	3P4W Valve, Check, Relief Valve, Manual Control, 5.3 qt. Res.
LP1A-1VPL06-000-A	Aux. Power Supply	10.5 qt. Poly. Res., Check, Relief Valve, Vertical Mounting – WITH Enclosure

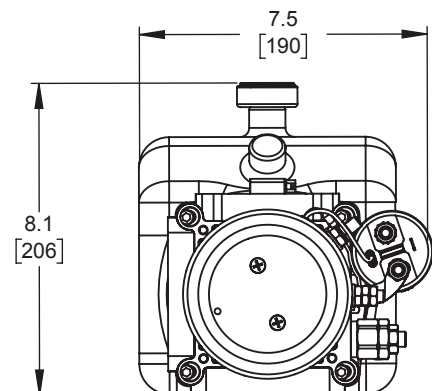
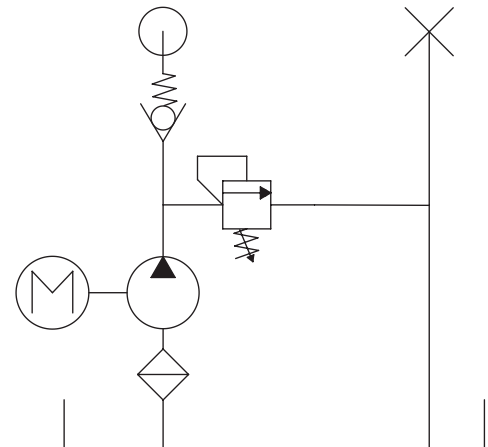
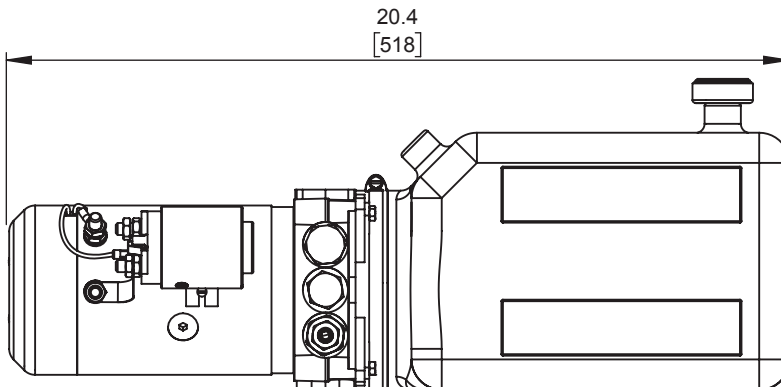
LP1A-OHXX06-000-A

- Auxiliary Power Supply Application
- Pump/Motor only
- 12 VDC Motor with Relay
- 2cc Pump
- Horizontal Mounting



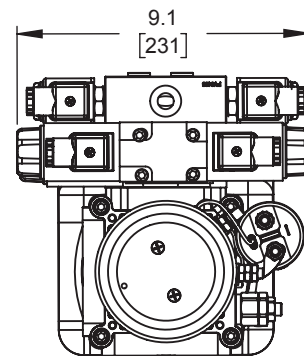
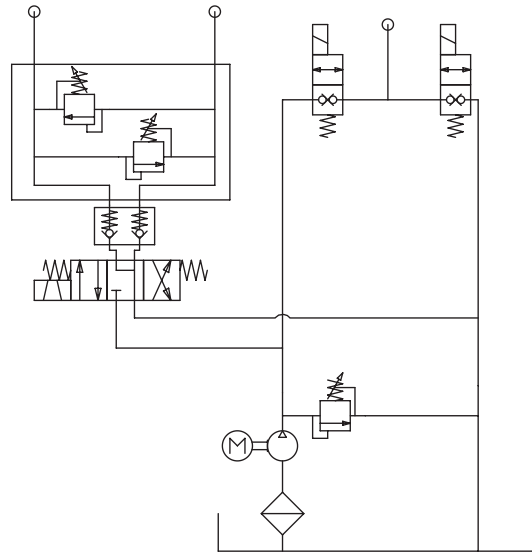
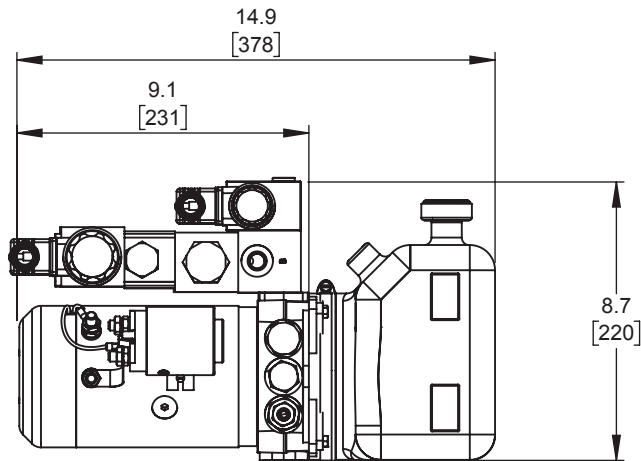
LP1A-2HPJ06-000-A

- Multi-function Auxiliary Power Supply
- 5.3 Qt. Poly Reservoir
- Check and Relief Valve
- Central Manifold accepts NFPA-D03 Directional Control Valves
- 12 VDC Motor with Relay
- 2 cc Pump
- Horizontal Mounting



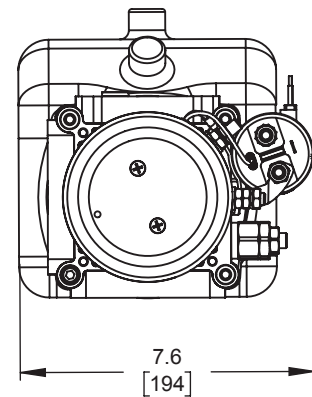
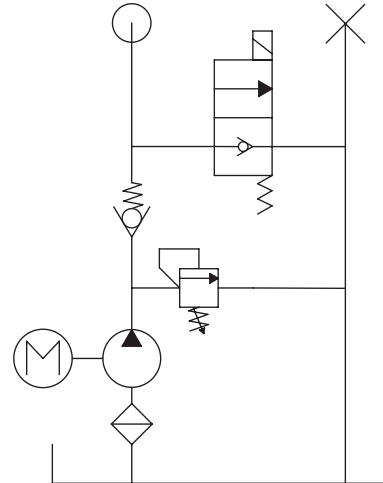
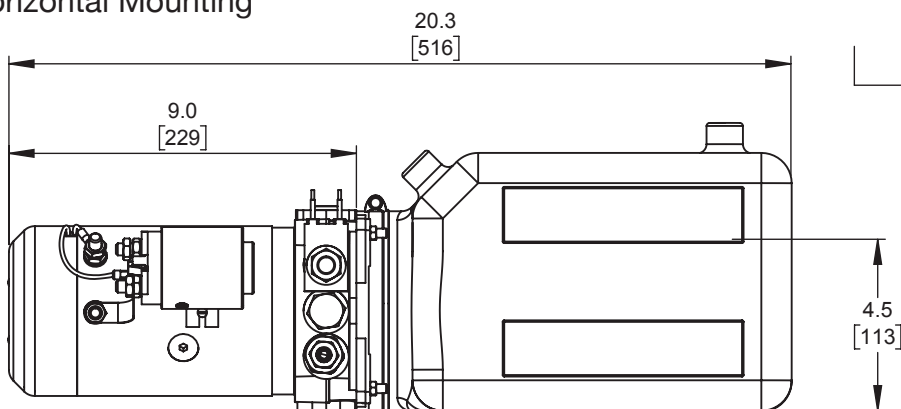
LP1A-2HPF06-100-C

- 1.5 Qt. Poly Reservoir
- Pilot Operated Checks
- Cross-over Relief Valves
- Double-acting Plow Angle
- Single-acting Plow Lift
- 4-button Corded Control
- 2 cc Pump
- Horizontal Mounting



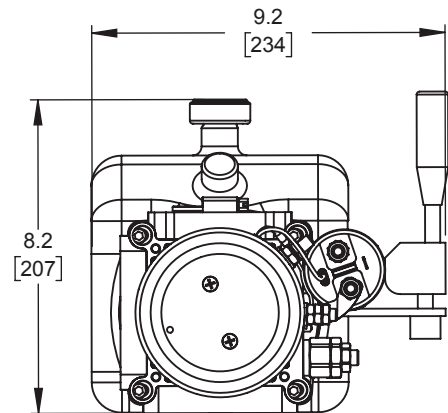
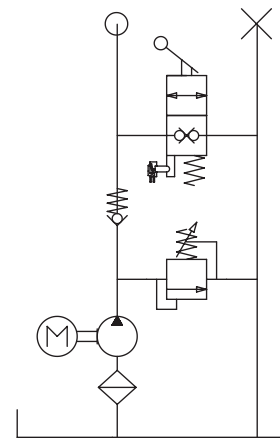
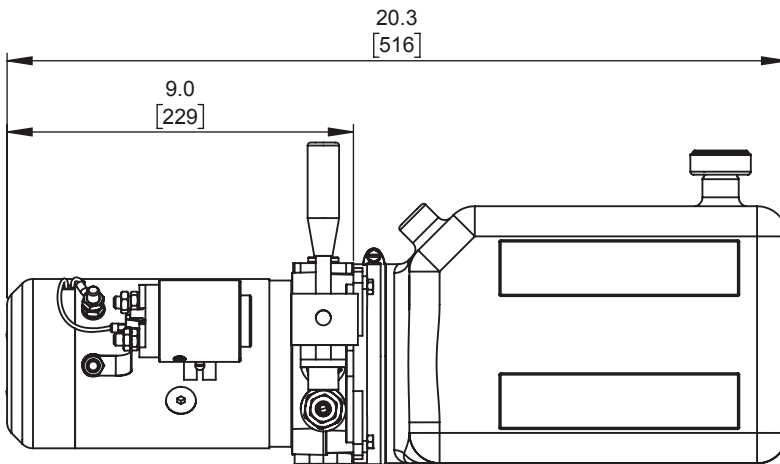
LP1A-3HPJ06-020-C

- 5.3 Qt. Poly Reservoir
- Check and Relief Valve
- 2-Position, 3-Way
- Corded Control
- 12 VDC Motor with Relay
- 2 cc Pump
- Horizontal Mounting



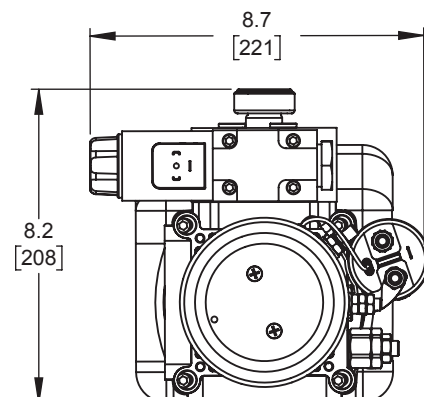
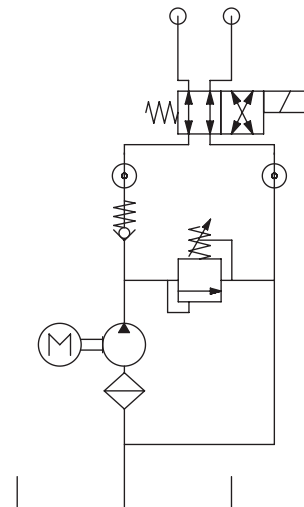
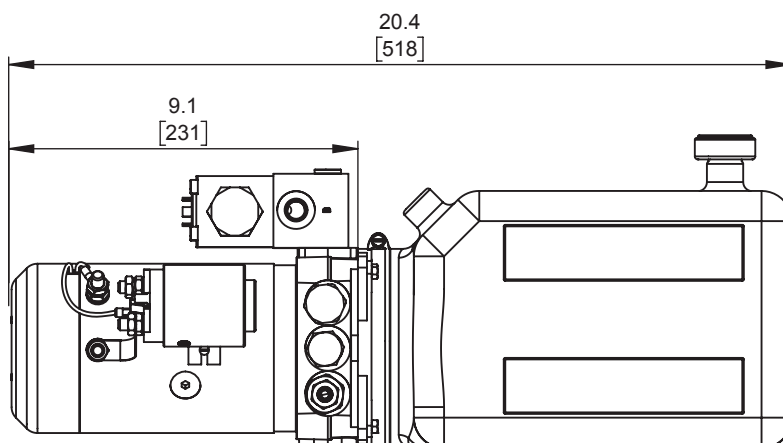
LP1A-3HPJ06-060-M

- Single-acting Cylinder Application
- 5.3. qt. Reservoir
- Check and Relief Valve
- 2-Position, 2-Way
- Manual Hand Control
- 12 VDC Motor with Relay
- 2 cc Pump
- Horizontal Mounting



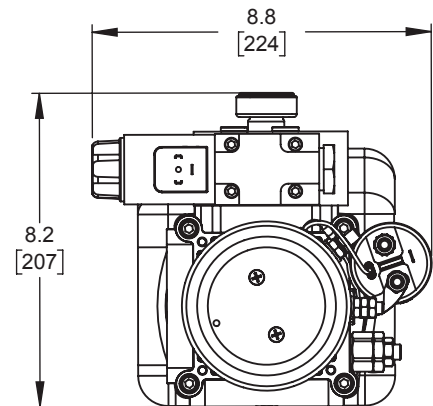
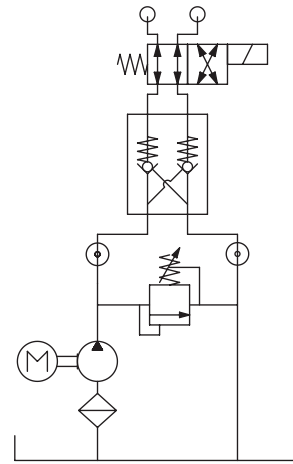
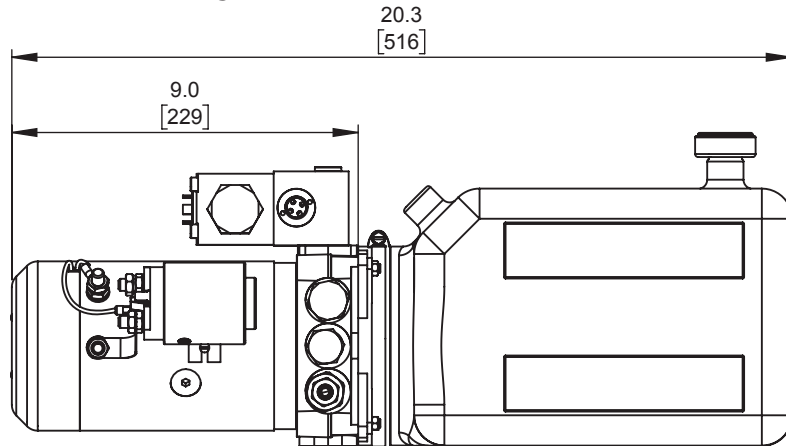
LP1A-4HPJ06-000-C

- Double-acting Cylinder Application
 - 5.3 qt. Reservoir
 - Check and Relief Valve
 - 2-Position, 4-Way
 - Corded Control
 - 12 VDC Motor with Relay
 - 2 cc Pump
 - Horizontal Mounting
- *Not for use on dump body applications requiring downside relief.



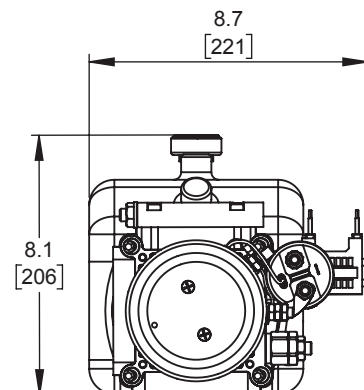
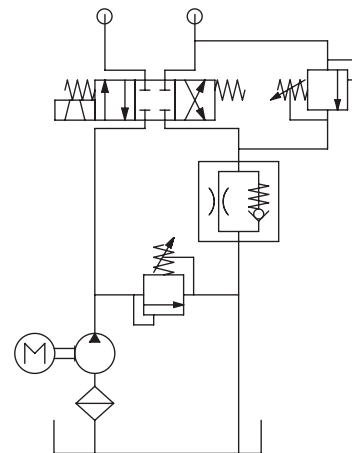
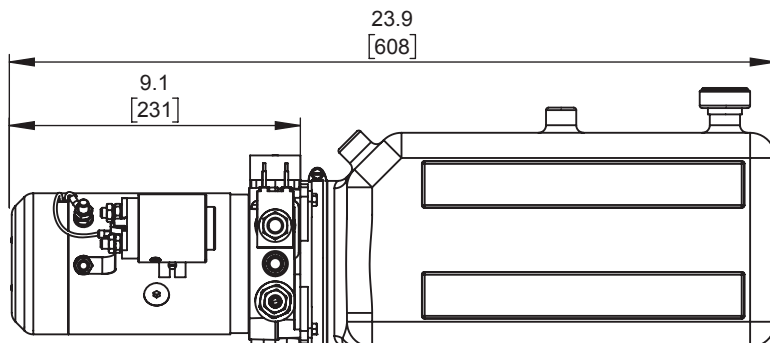
LP1A-4HPJ06-020-C

- Double-acting Cylinder Application
- 5.3 qt. Reservoir
- Pilot Operated Check Valves
- Relief Valve
- 2-Position, 4-Way
- Corded Control
- 12 VDC Motor with Relay
- 2 cc Pump
- Horizontal Mounting



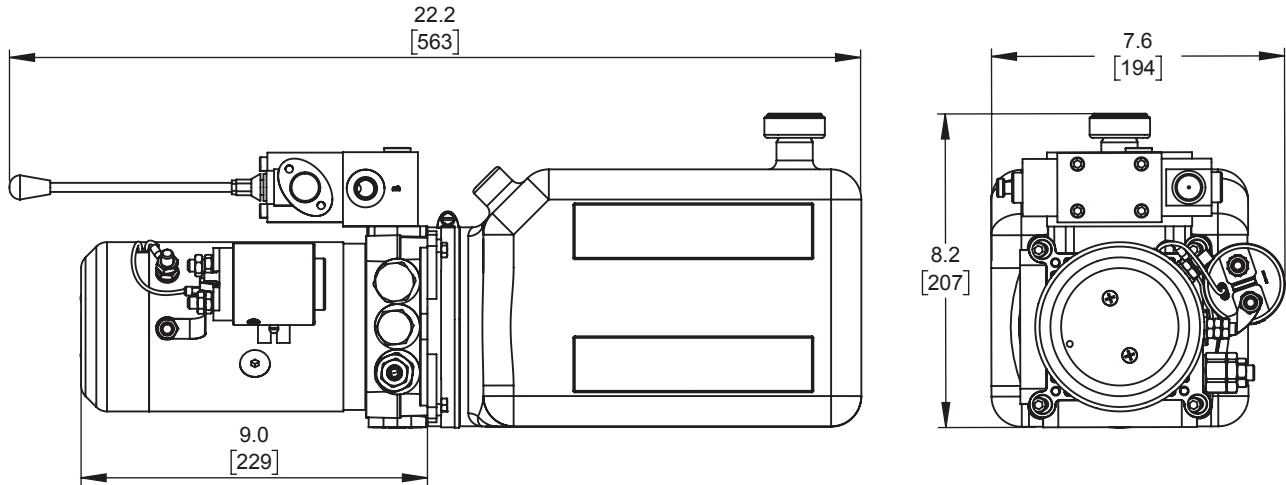
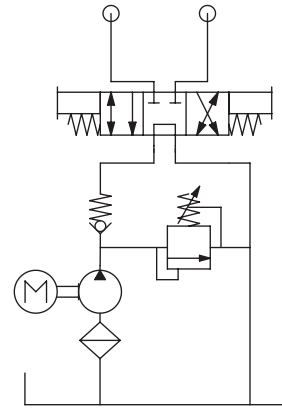
LP1A-4HPK06-100-C

- Double-acting Cylinder Application
- 8.3 qt. Reservoir
- Main Relief Valve and Downside Relief (450 PSI)
- 3-Position, 4-Way
- Flow Control on Lower Function
- Corded Control
- 12 VDC Motor with Relay
- 2 cc Pump
- Horizontal Mounting



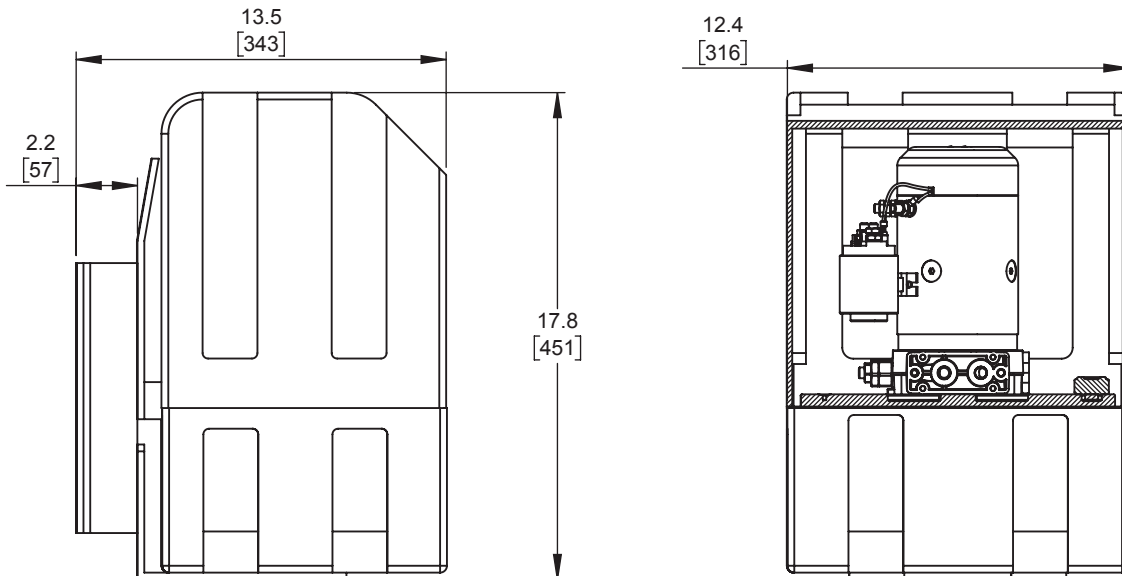
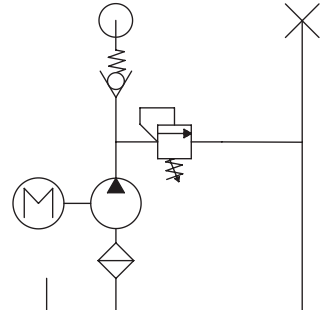
LP1A-4HPJ06-040-M

- Double-acting Cylinder Application
- 5.3. qt. Reservoir
- Check and Relief Valve
- 3-Position, 4-Way
- Manual Hand Control
- 12 VDC Motor with Relay
- 2 cc Pump
- Horizontal Mounting

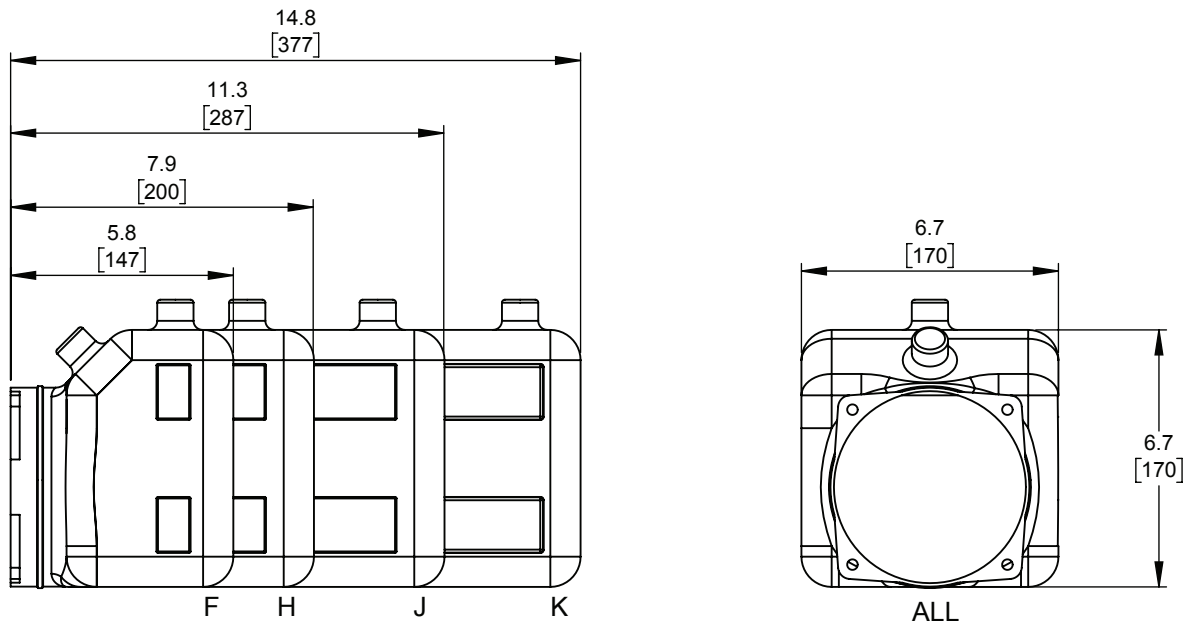


LP1A-1VPL06-000-A

- Single-acting Cylinder Application
- 10.5 qt. Reservoir
- Check and Relief Valve
- Complete Valve Enclosure
- 12 VDC Motor with Relay
- 2 cc Pump
- Vertical Mounting

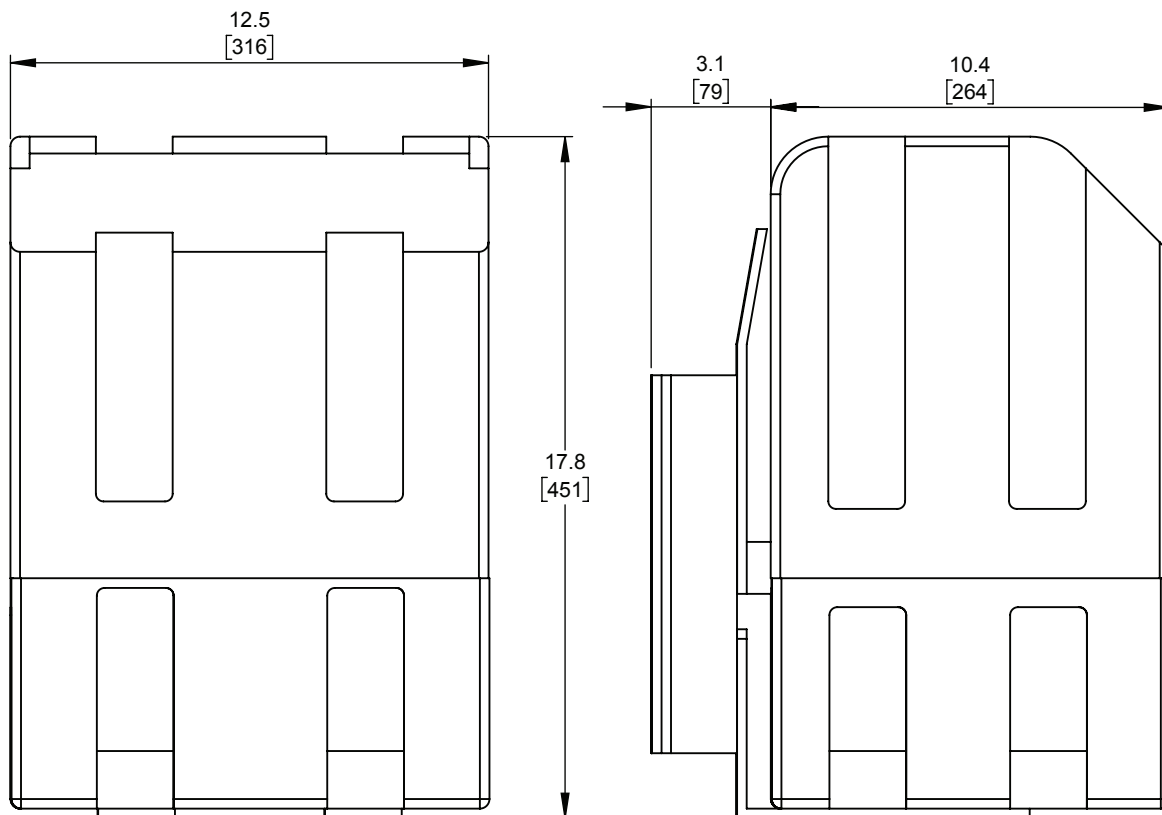


Poly Reservoir - Type F, H, J & K



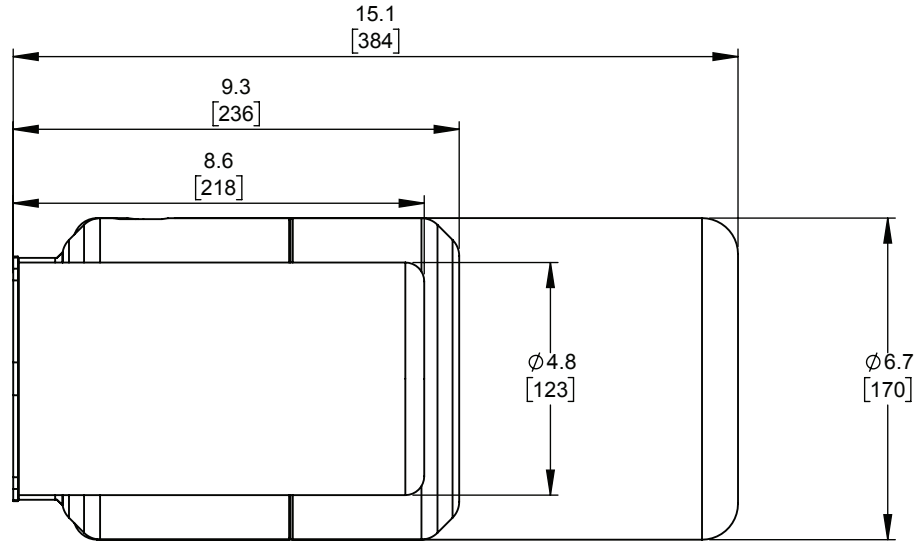
RESERVOIR TYPE	RESERVOIR LENGTH	CAPACITY
F	5.8 (147)	1.6 qt. (1.5 L)
H	7.9 (200)	3.2 qt. (3.0 L)
J	11.3 (287)	5.3 qt. (5.0 L)
K	14.8 (377)	8.5 qt. (8.0 L)

Poly Reservoir/enclosure - Type L (10.5 Qt.)



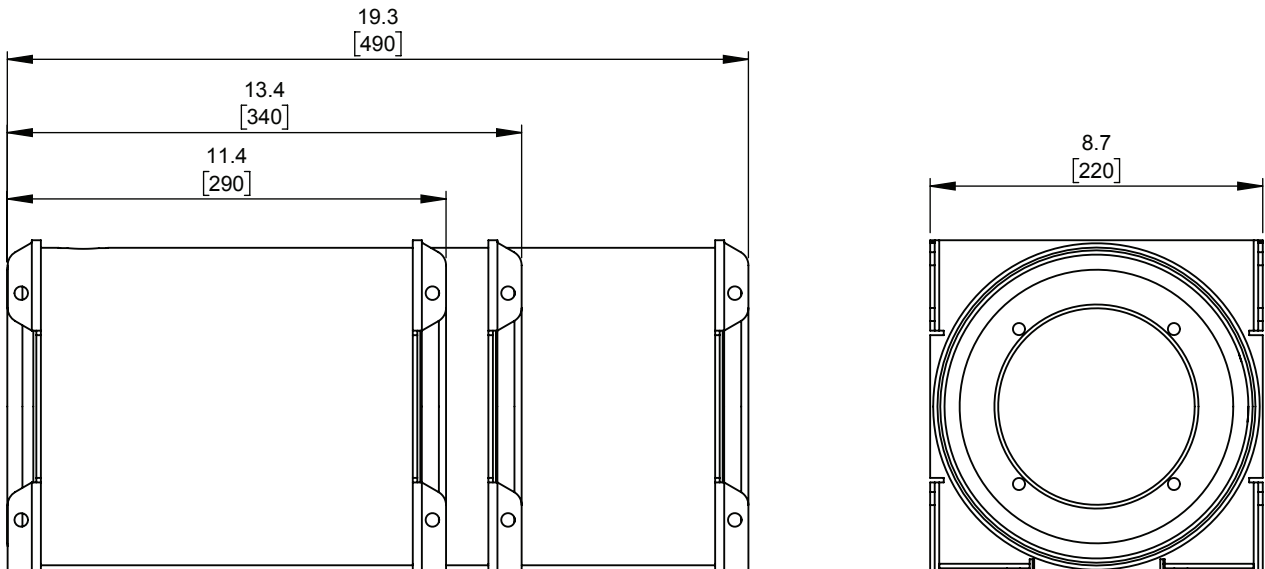
Steel Reservoir - Type A, B & S

RESERVOIR TYPE	RESERVOIR LENGTH	CAPACITY
A	8.6 (218)	2.1 QT. (2 L)
B	9.3 (236)	4.2 QT. (4 L)
S	15.1 (384)	8.4 QT. (8 L)



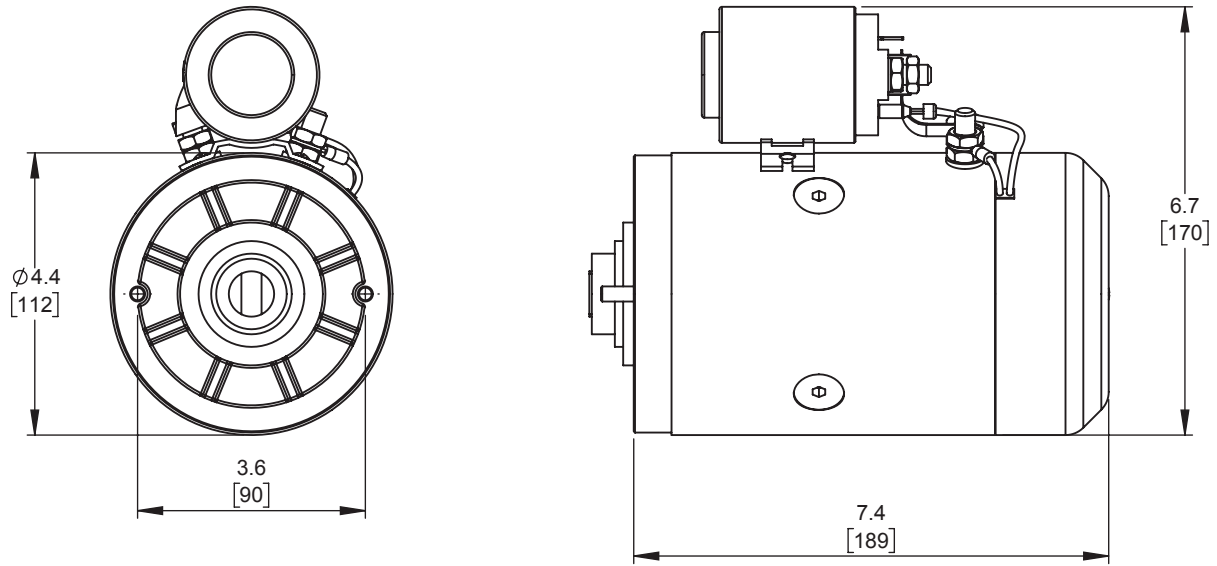
Steel Reservoir - Type C, D & E

RESERVOIR TYPE	RESERVOIR LENGTH	CAPACITY
C	11.4 (290)	8.4 qt. (8 L)
D	13.4 (340)	10.5 qt. (10 L)
E	19.3 (490)	15.8 qt. (15 L)



DC Motor Information - 56250A160LOG

12 VDC – 1,600W

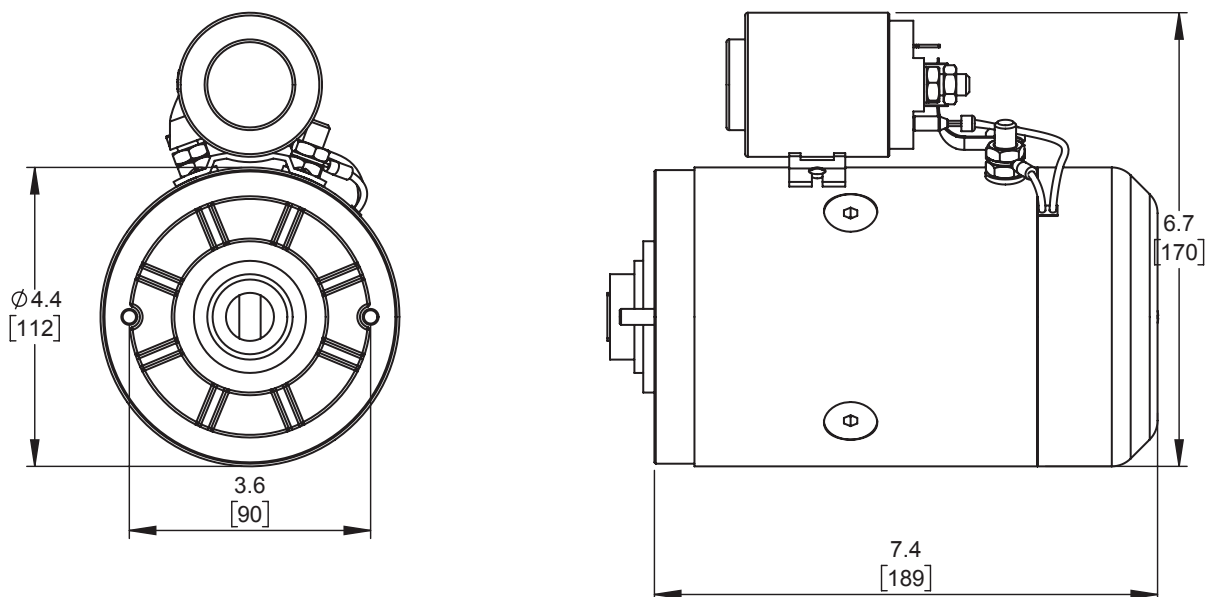


RATED VOLTAGE	RATED kW	RATED CURRENT	ROTATION	RATED SPEED	S2	INSULATION	IP RATING
12 VDC	1.5	230 Amps	CW	2,650 RPM	2.0 min.	F	IP54

Replacement Relay P/N: 56252120801G

DC Motor Information - 56250B220LOG

24 VDC – 2,000W



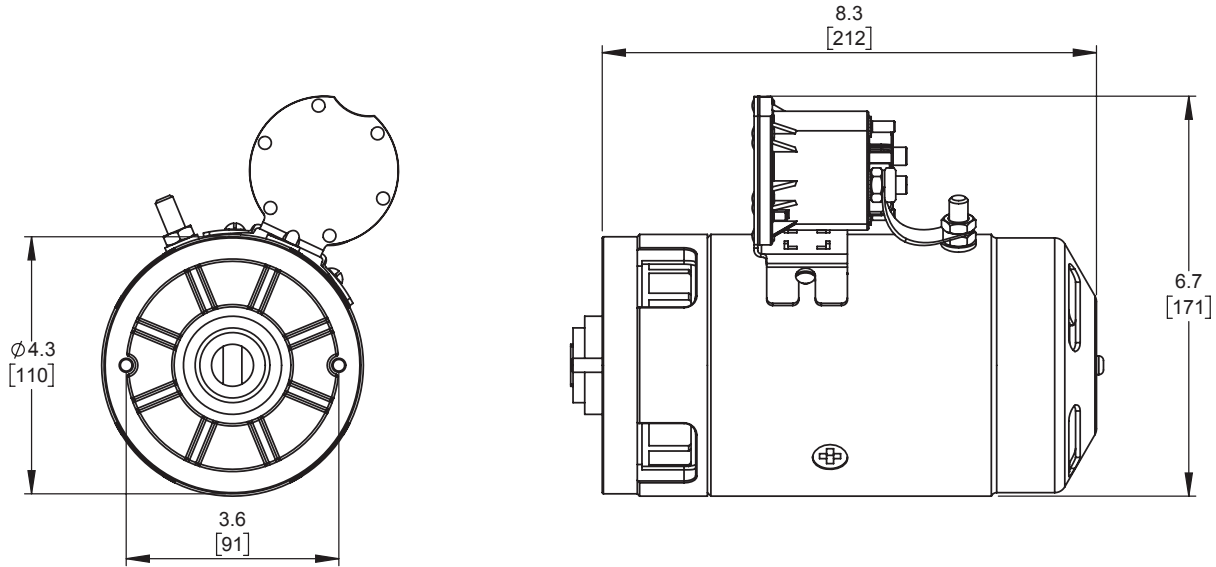
RATED VOLTAGE	RATED kW	RATED CURRENT	ROTATION	RATED SPEED	S2	INSULATION	IP RATING
24 VDC	2.2	140 Amps	CW	2,600 RPM	2 min.	F	IP54

Replacement Relay P/N: 56252240801G

DC Motor Information - 20110283M (Special Option)

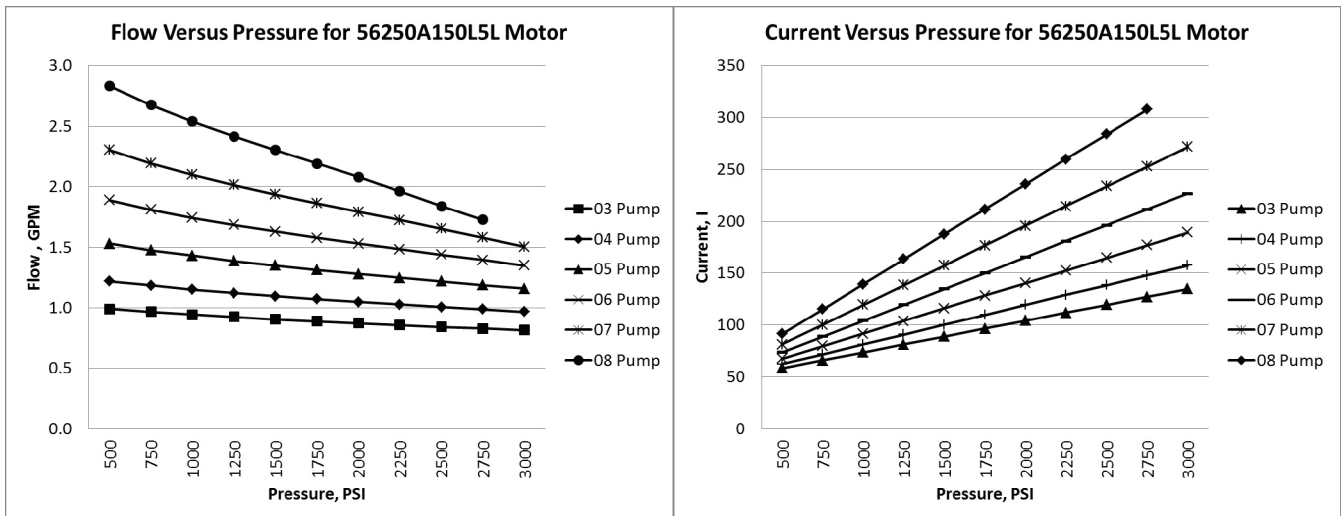
12 VDC – 1,500W

Fan Cooled



RATED VOLTAGE	RATED kW	RATED CURRENT	ROTATION	RATED SPEED	S2	INSULATION	IP RATING
12 VDC	1.5	230 Amps	CW	2,300 RPM	4.0 min.	F	IP23

Replacement Relay P/N: 20110283R



*Graphs shown represent theoretical values. Actual values may differ.

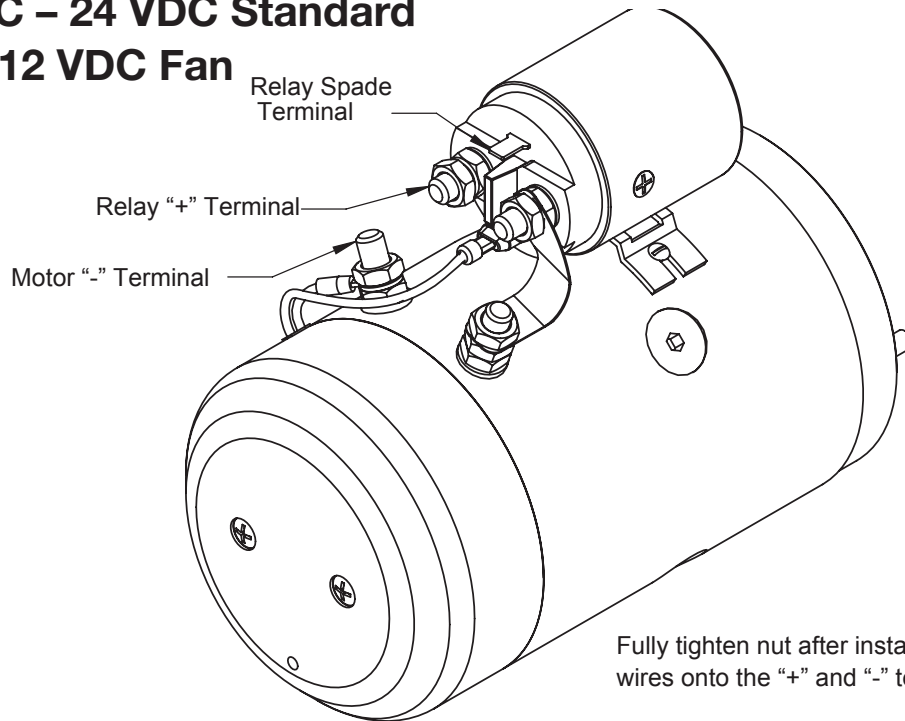
Motor and Controller Wiring Details

Motor Connections –

56250A180LOC – 12 VDC Standard

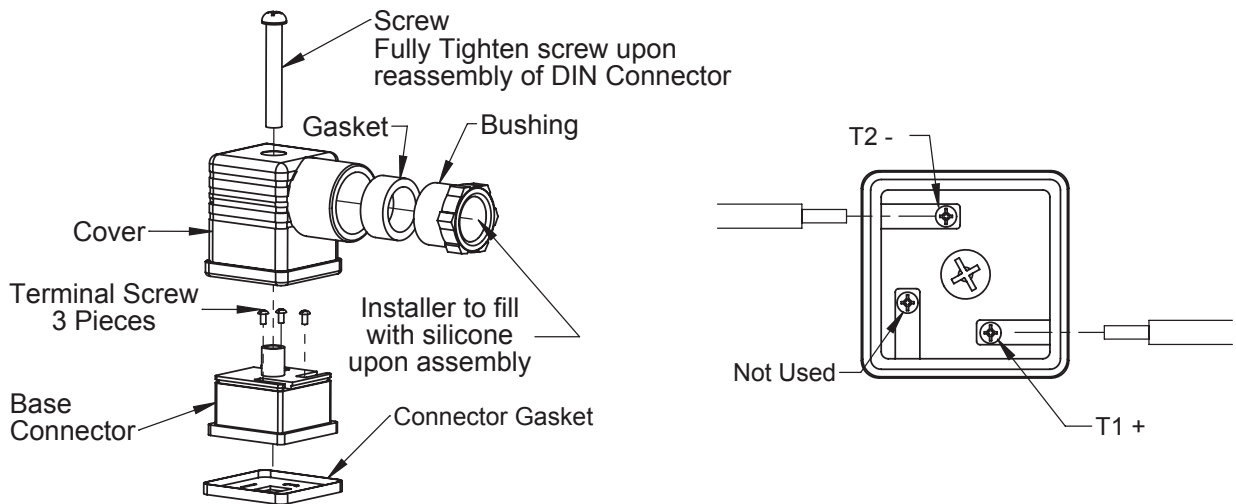
56250B200LOC – 24 VDC Standard

20110283M – 12 VDC Fan



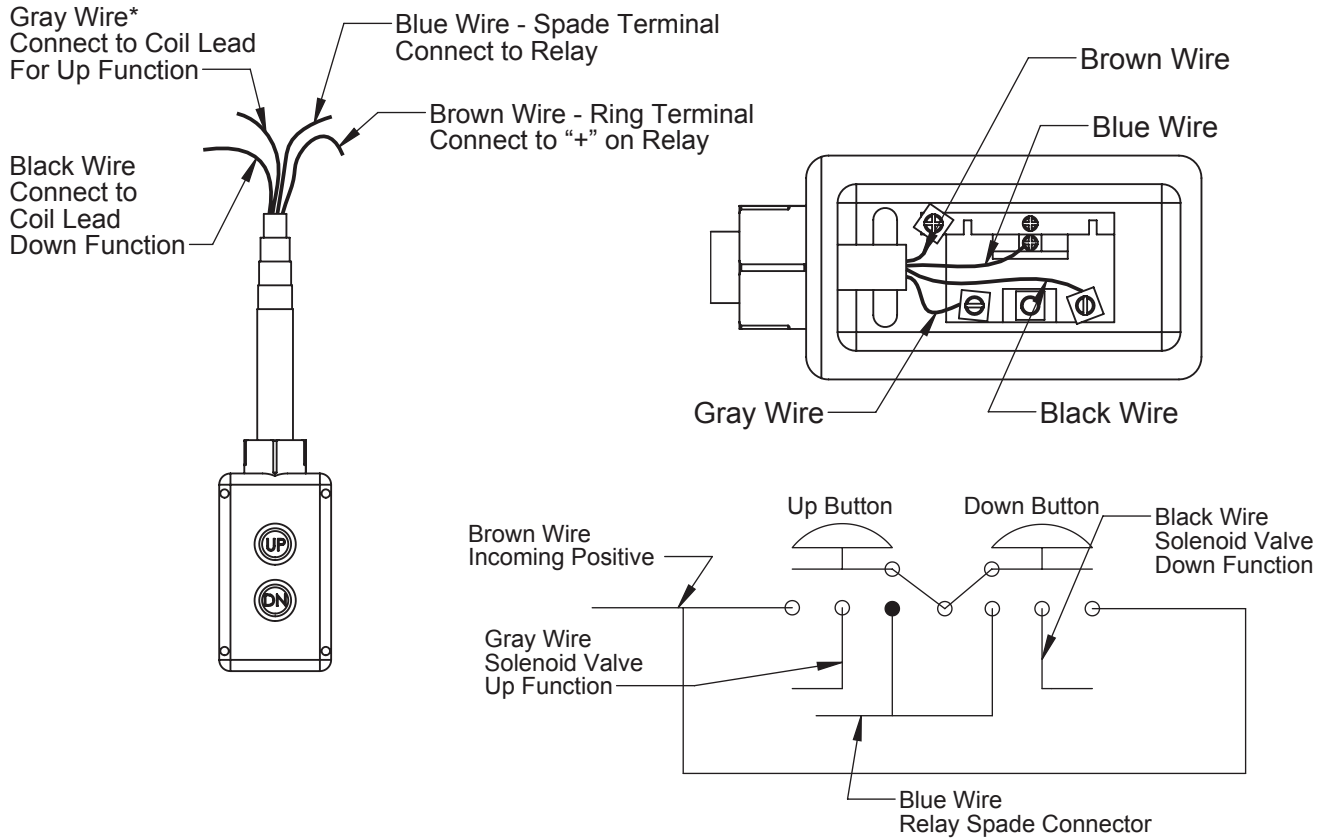
DIN Wire Connection Procedure

DIN Connector – 78C00100500A

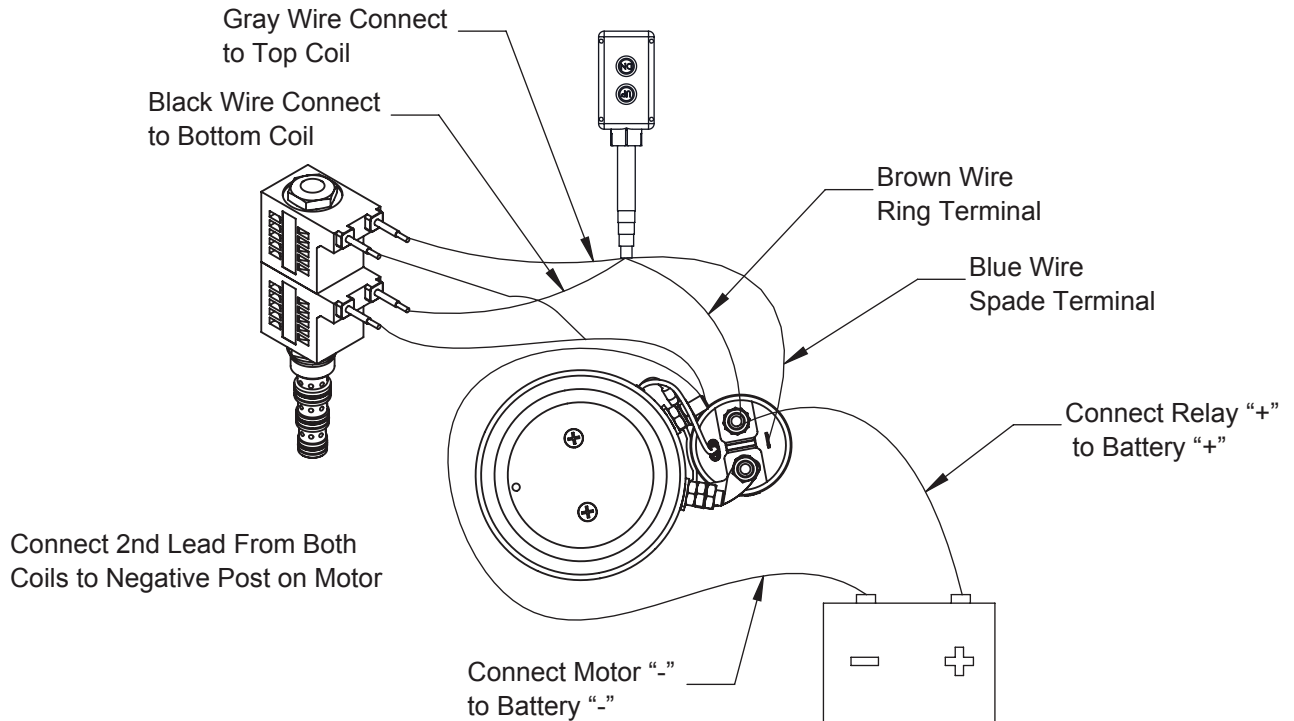


1. Disassemble the DIN connector.
2. Using two pieces of 16 gauge insulated wire, pass one end of the wire through the DIN connector in the following order:
 - a) Bushing
 - b) Bushing Gasket
 - c) Cover
3. Strip ¼" of insulation from the end of each wire.
4. Loosen the terminal screws from T1 "+" & T2 "-" on the connector.
5. Insert one of the stripped ends into T1 "+" through the hole in the top of the connector and tighten the screw, repeat for T2 "-".
6. Carefully slide the cover down over the connector and insert the top screw.
7. Slide the gasket into the threaded port of the cover and secure the bushing.

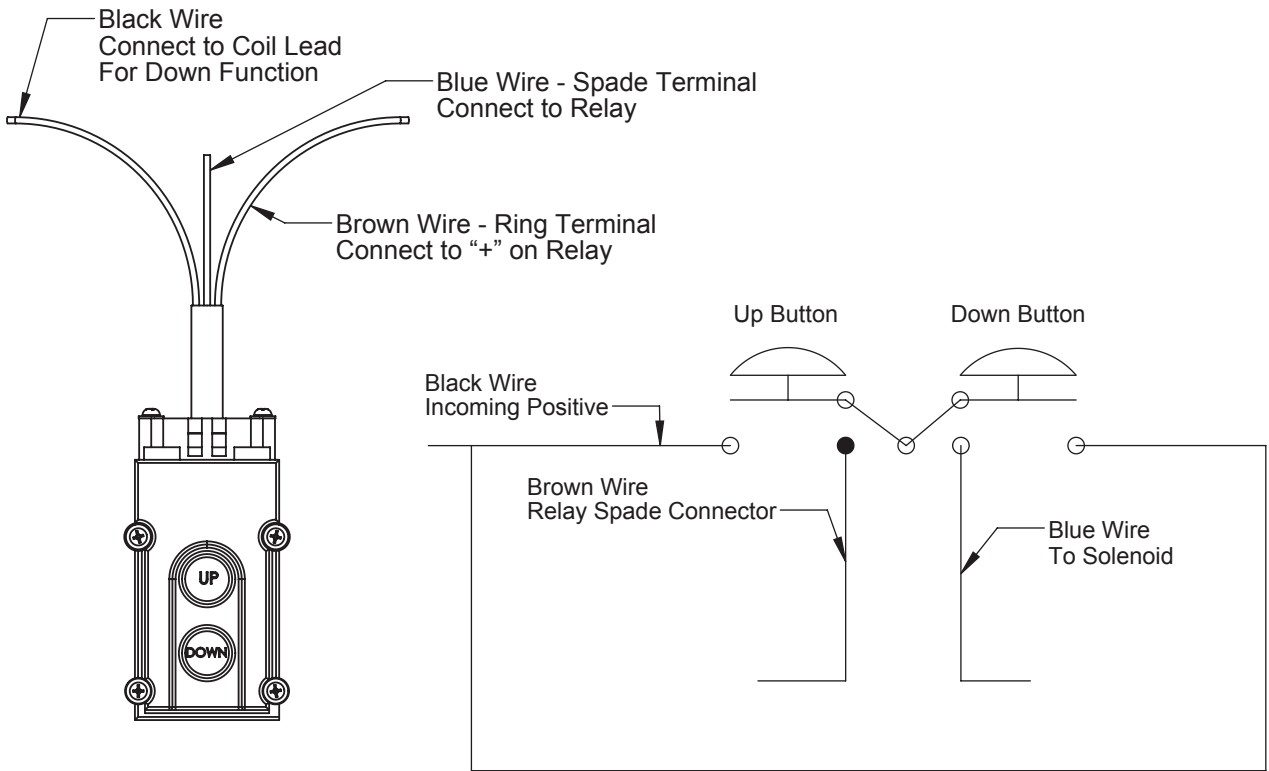
Controller Wiring Details - 38T42471L**



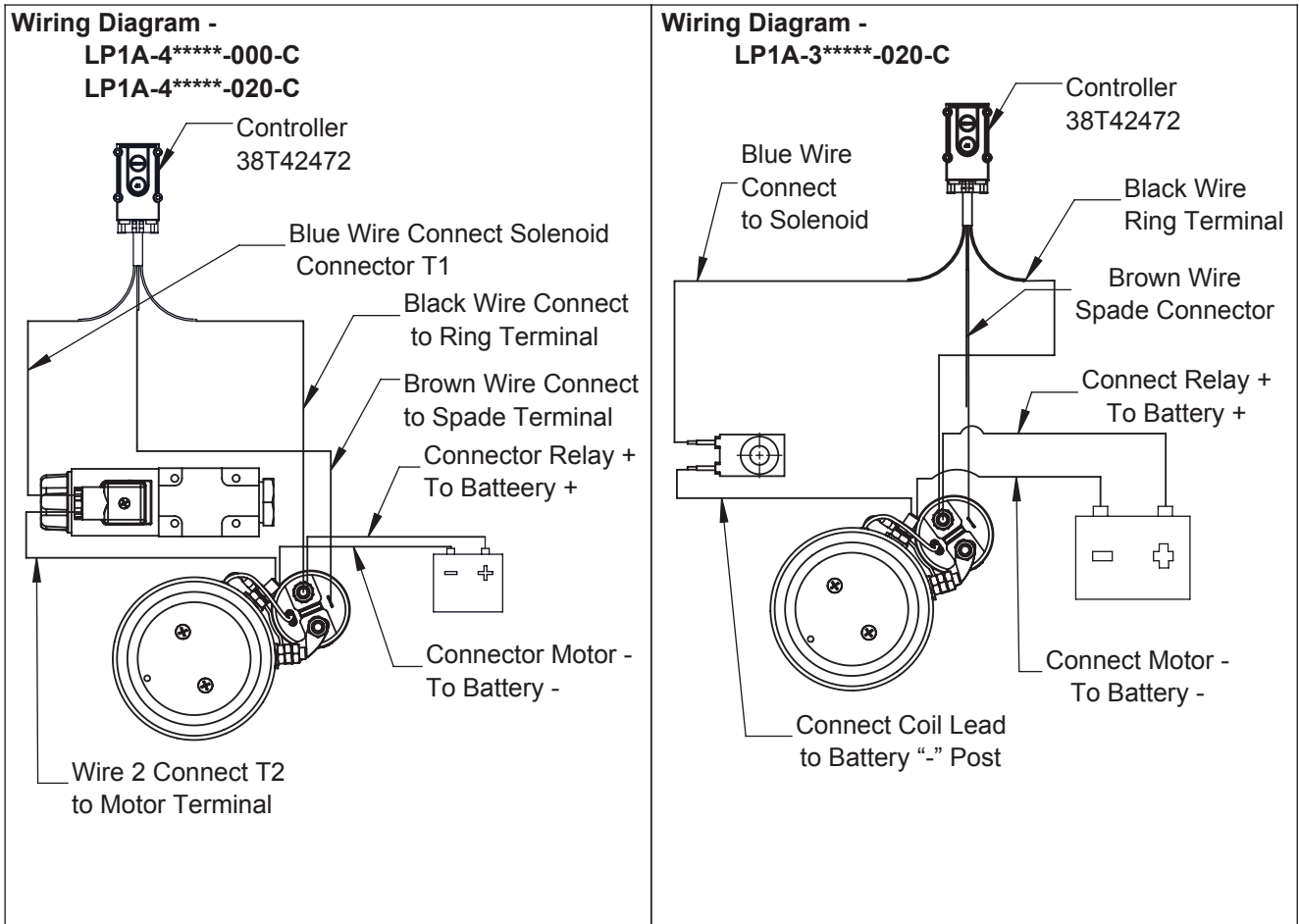
38T42471L** Wiring Diagram



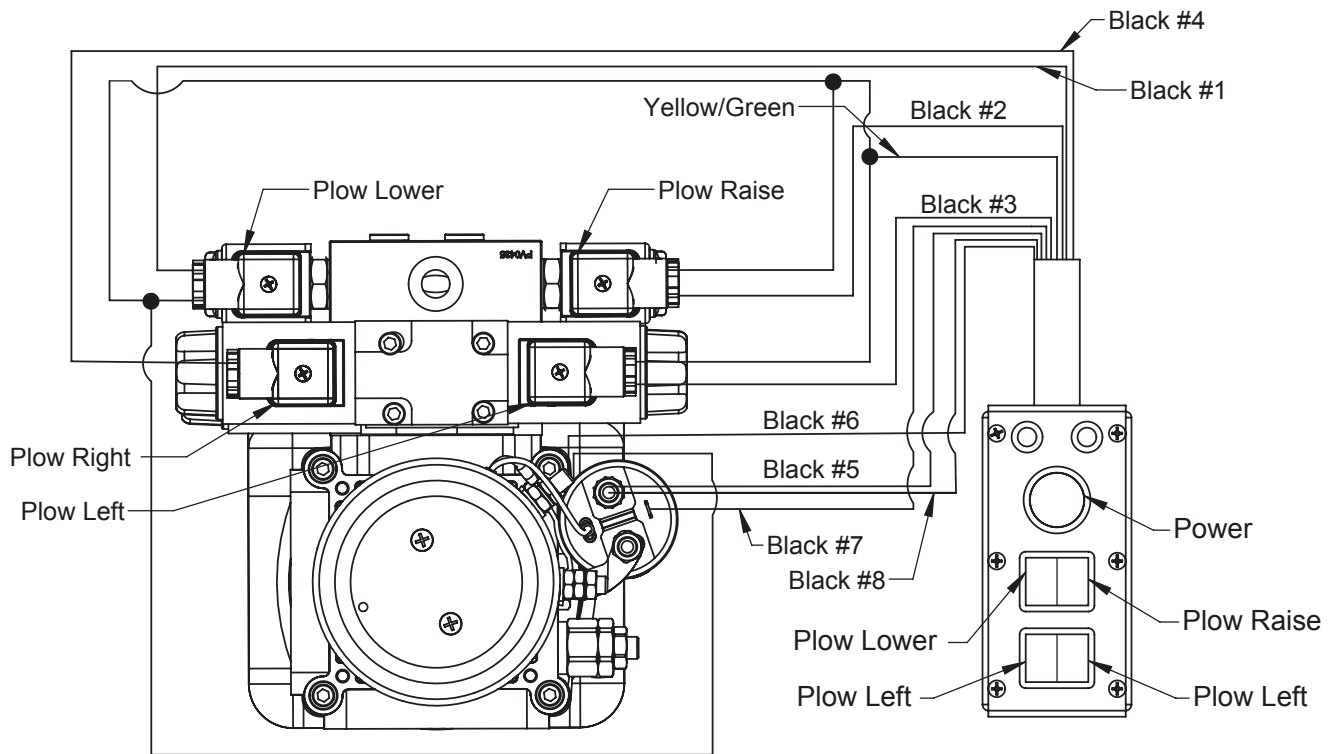
Controller Wiring Details - 38T42472



38T42472 Wiring Diagram



Controller Wiring Details - 38T42473



**NEW STYLE CONTROLLER
LEAD CONNECTIONS**

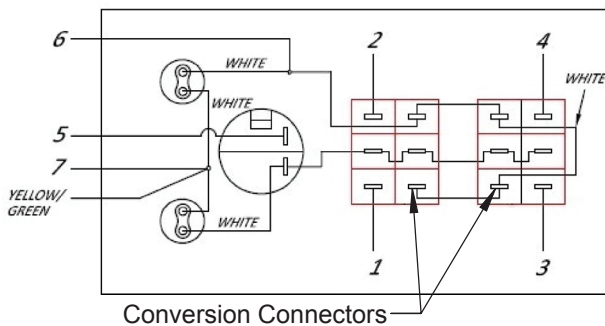
CONTROLLER CABLE	INSIDE OF CONTROLLER
1	BLACK 1
2	BLACK 2
3	BLACK 3
4	BLACK 4
5	BLACK 5
6	BLACK WHITE
7	BLACK WHITE

YELLOW/GREEN

Converting to a Single-Acting Function

1. Select the rocker switch that controls the single-acting function.
2. Remove the female spade conversion connector from the rocker switch spade. Do NOT cut the wires from the connector.
3. Insulate the connector with an insulated male spade connector or electrical tape. Insure that the connector or wire cannot short against any other terminal.

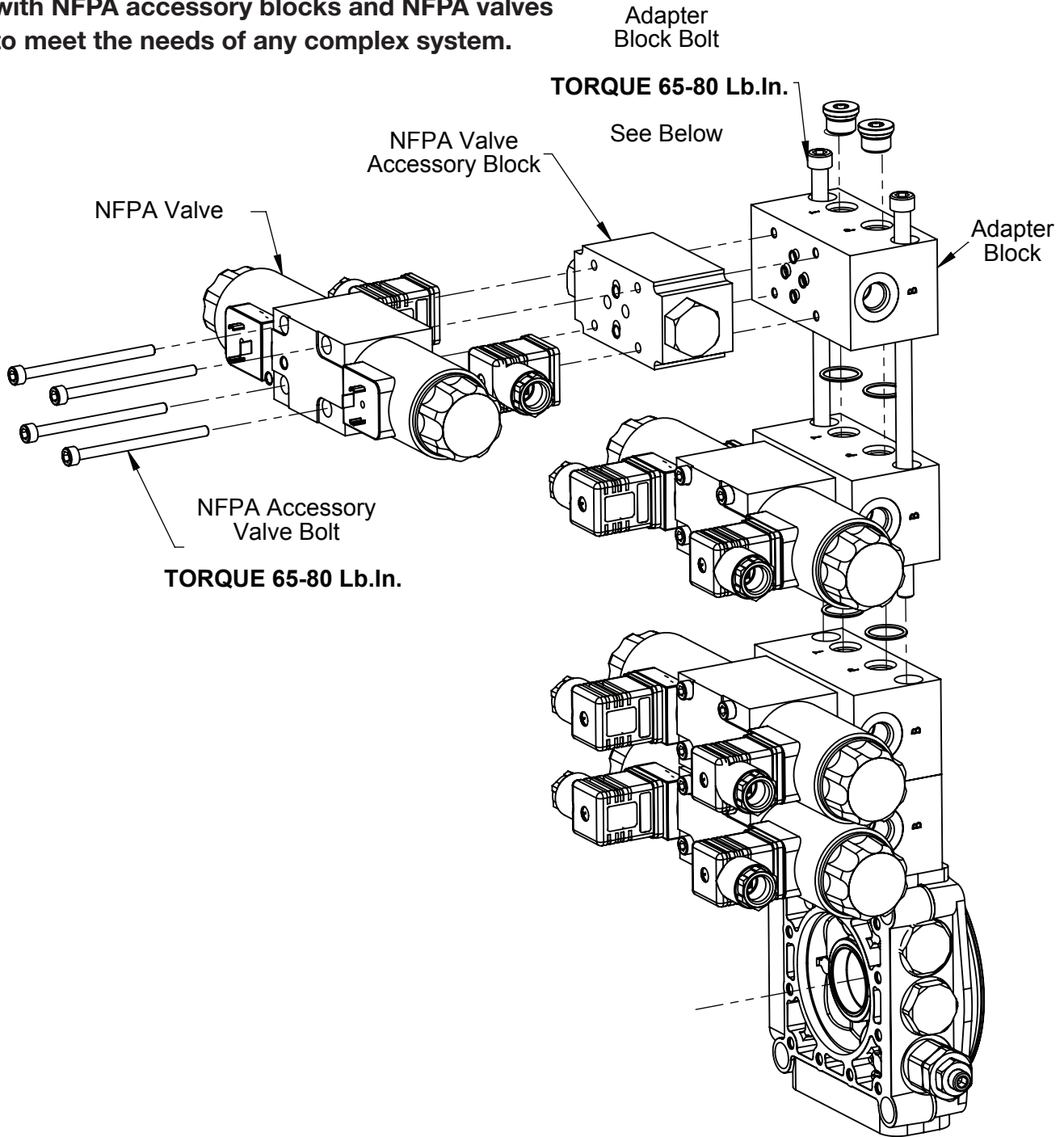
Note: Converting to a single-acting function allows the solenoid valve to shift without activating the electric motor/pump during “lower” or “down” switch operation. The new style controller will operate on BOTH 12 VDC & 24 VDC.



NFPA Adapter Block Stacking

*Special Order Only

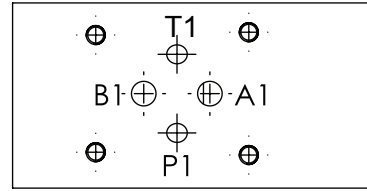
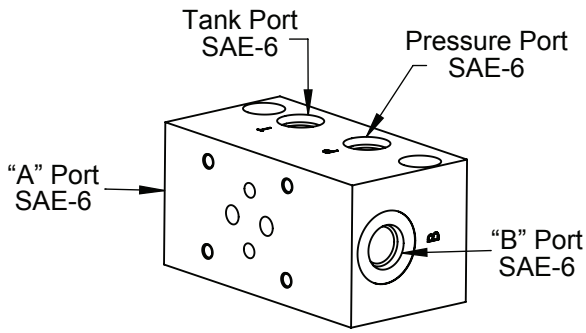
Adapter blocks can be stacked and combined with NFPA accessory blocks and NFPA valves to meet the needs of any complex system.



Adapter Block Mounting Bolts

PART NUMBER	QTY.	DESCRIPTION	BLOCK QUANTITY
19T42253	2	M8 x 50 Bolt	1 Adapter Block
19T42257	2	M8 x 100 Bolt	2 Adapter Block
19T42258	2	M8 x 150 Bolt	3 Adapter Block
19T42259	2	M8 x 200 Bolt	4 Adapter Block
19T42260	2	M8 x 250 Bolt	5 Adapter Block

NFPA Accessory Blocks



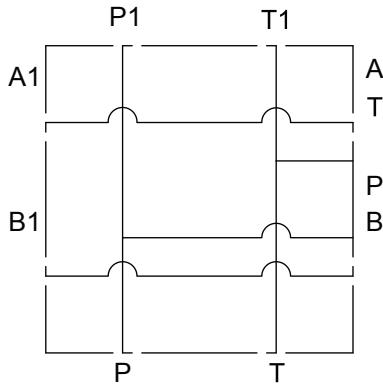
Adapter Block with P.O. Check Sub Assembly

562856AB444B - "A" & "B" Port Checked

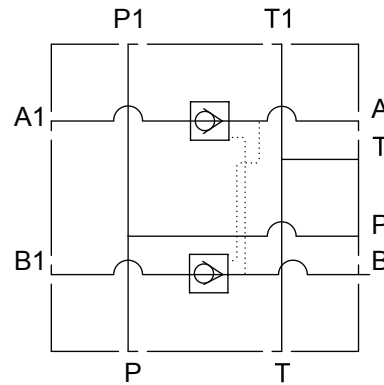
5628560A444B - "A" Port Checked

5628560B444B - "B" Port Checked

1201PV04330A



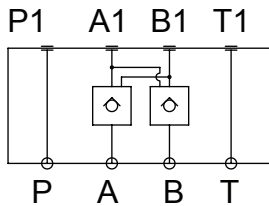
562856AB444B



NFPA Accessory Block Options

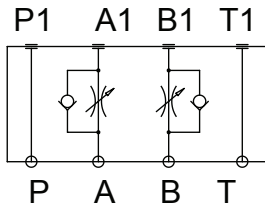
P.O. Check Valve Block

3224170005EK



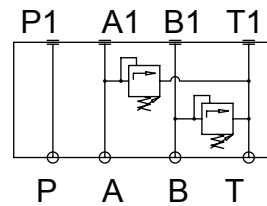
Adjustable Flow Control Valve Block

3224170AE22K

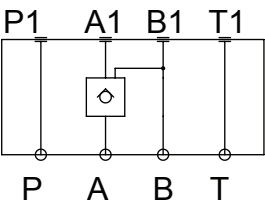


Relief Valve Block

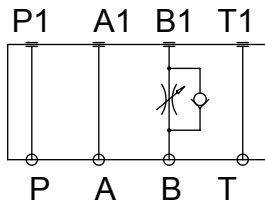
1201PV0017CT



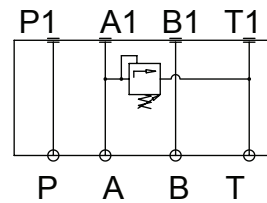
3224170005AK



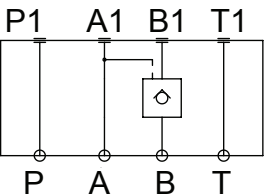
3224170AB22K



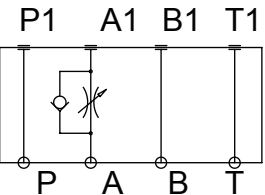
1201PV0017BT



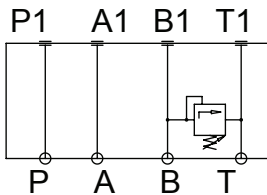
3224170005BK



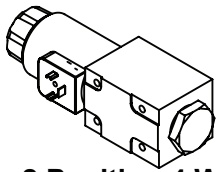
3224170AA22K



1201PV0017AT

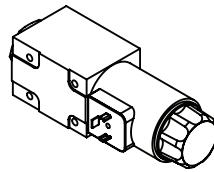
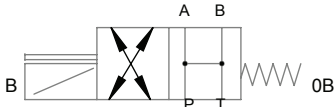


NFPA Valve Options



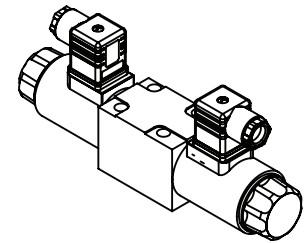
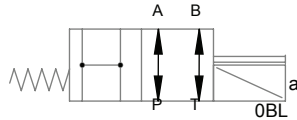
**2 Position 4 Way
Coil on B Operator**

0814B11EA00I



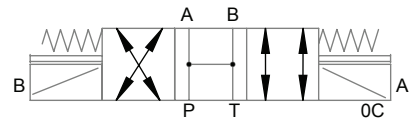
**2 Position 4 Way
Coil on A Operator**

0814B12MA00I

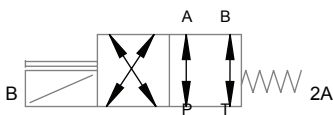


**3 Position 4 Way
Coil on A & B Operator**

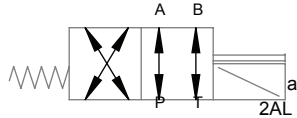
0814B13CA00I



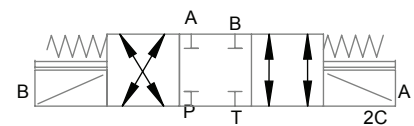
35T42449Y24AAD1



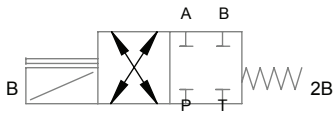
0814B12AA00I



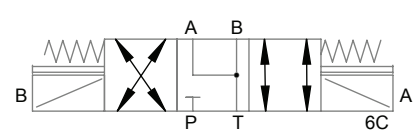
35T42451Y34CAD1



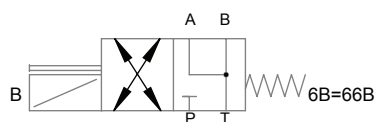
0814B11DA00I



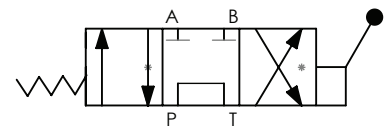
35T42451Y34CCD1



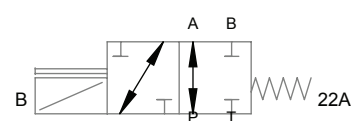
0814B11GA00I



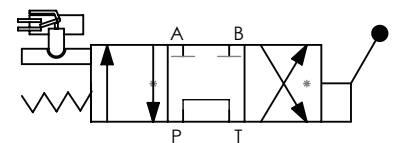
**3 Position 4 Way
Manual Control
5269028AA62S**



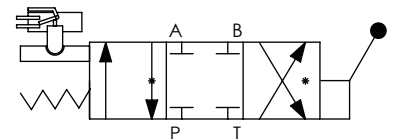
0814B11CA00I



5269028AG62S



35T42451Y34CCD1



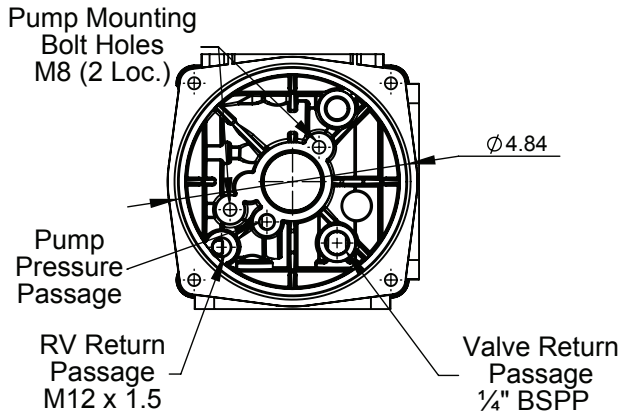
NFPA Valve Mounting Bolt

PART NUMBER	QTY.	DESCRIPTION	VALVE TYPE
19T42246	4	M5 × 45 Bolt	Solenoid
19T42247	4	M5 × 75 Bolt	Solenoid + Flow Control
19T43382	4	M5 × 85 Bolt	Solenoid + Check Valve
19T42248	4	M5 × 100 Bolt	Solenoid + Relief Valve
19T42249	4	M5 × 115 Bolt	Solenoid + Check Valve + Flow Control
19T43383	4	M5 × 130 Bolt	Solenoid + Relief Valve + Flow Control
19T42250	4	M5 × 140 Bolt	Solenoid + Relief Valve + Check Valve

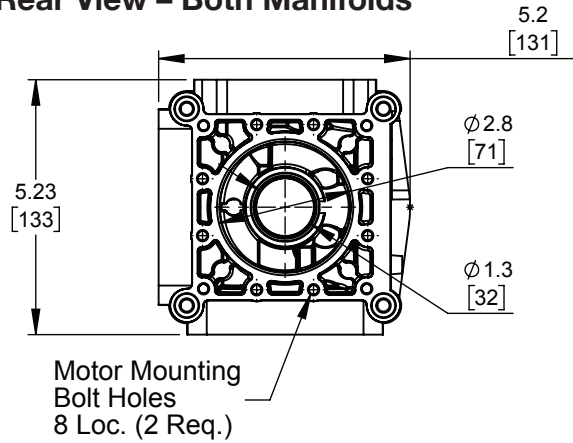
Central Manifold Details

5620121031AB – Used in LP1A-4**-100-* & LP1A-4****-101-***
5620121031BT – Used in all other DCPD models

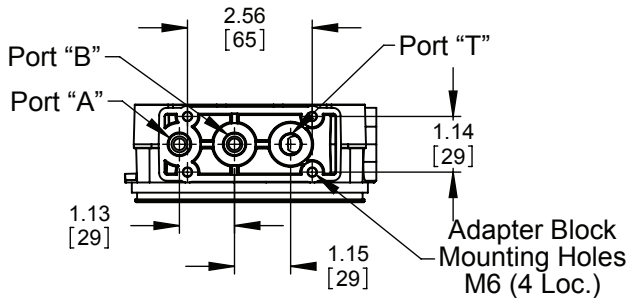
Front View – Both Manifolds



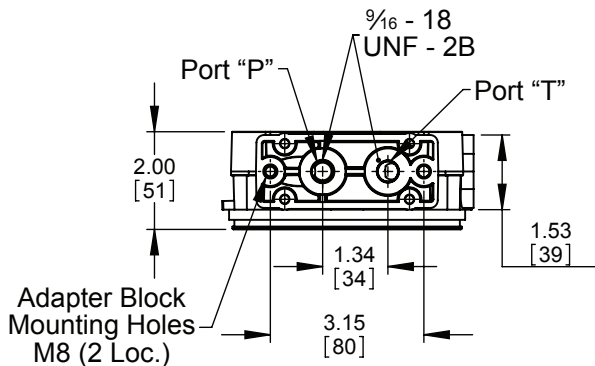
Rear View – Both Manifolds



Top View – 5620121031BT



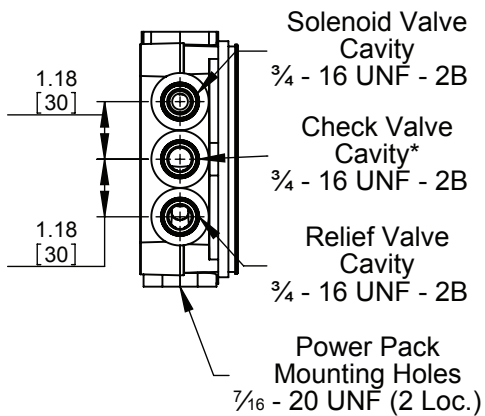
Top View – 5620121031AB



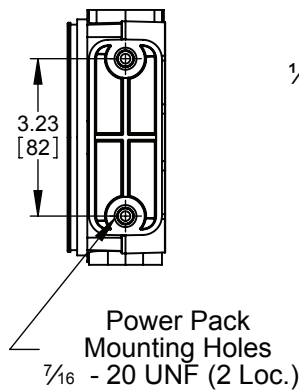
Note: Surface machined to accept either port fitting or adapter blocks for adding NFPA D03 valves

Note: Manifold must be used with 5628560B546B/C port relief valve block.

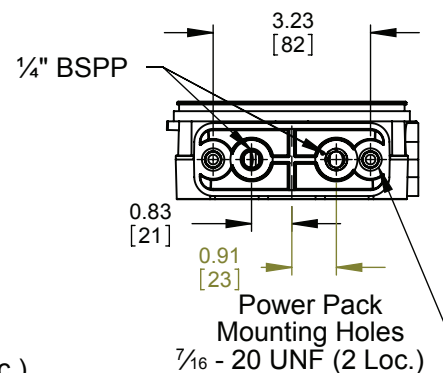
Left Side – Both Manifolds



Right Side – Both Manifolds

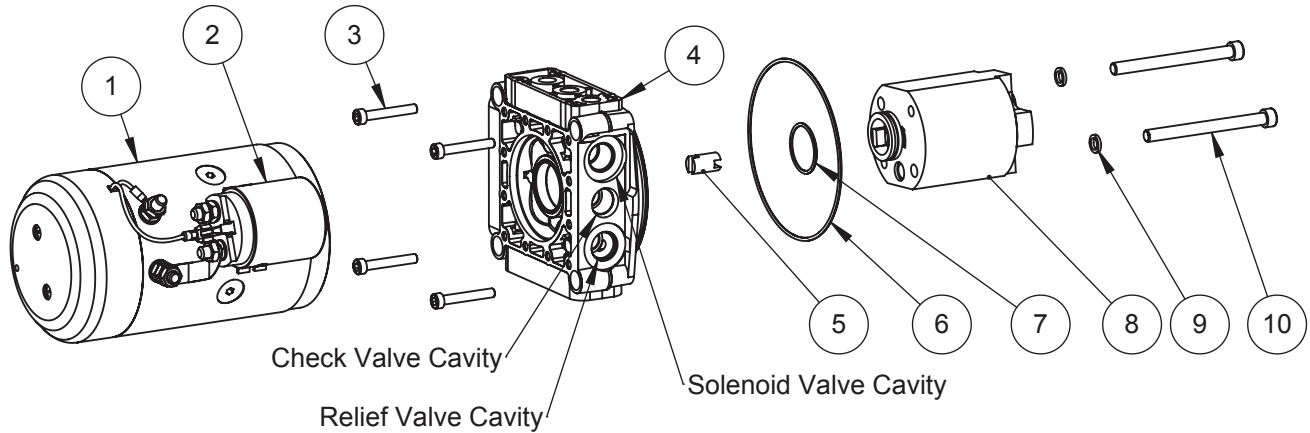


Bottom View – Both Manifolds



*Check Valve Cavity is N/A for the 562012031AB Central Manifold.

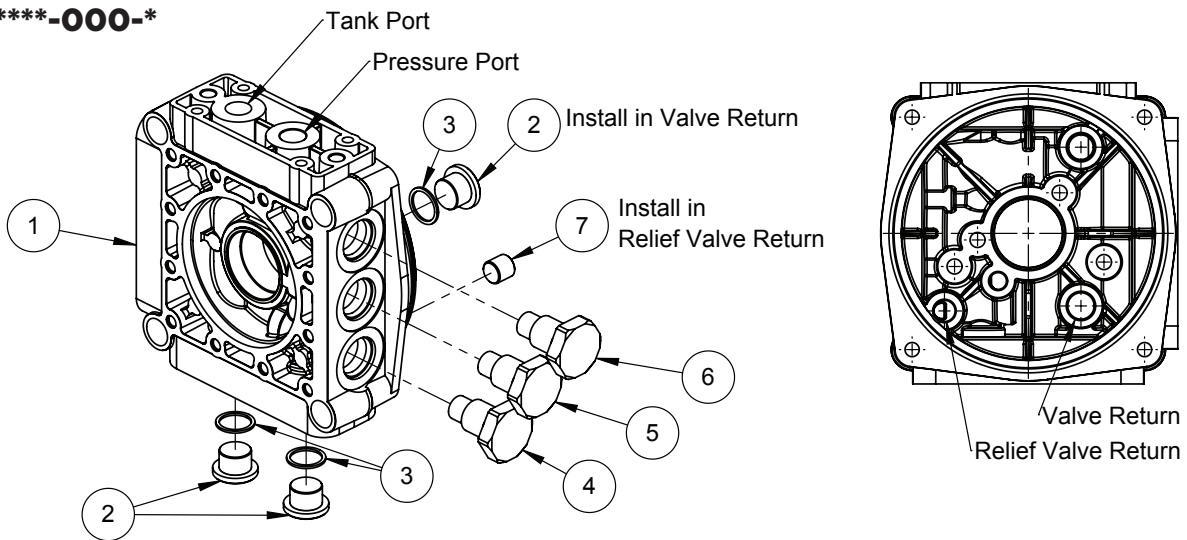
Hydraulic Power Packs Service Parts List



ITEM	PART NUMBER	DESCRIPTION	QUANTITY
1	56250A160L0G	12 VDC Motor w/Starter Relay	1
	56250B220L0G	24 VDC Motor w/Starter Relay	1
	20110283M	12 VDC HD Fan Motor w/Starter Relay	1
2	56252120801G	12 V Motor Starter Relay	1
	56252240801G	24 V Motor Starter Relay	1
3	19T42251	M6 x 40 Bolt (Res. C, D, E, & L)	4
	19T42252	M6 x 40 Bolt (Res. A, B, F, H, J, K, & 5)	4
4	5620121031BT	Central Manifold	1
5	563422B20EET	Motor Connector Shaft	1
6	733B35311390	O-Ring	1
7	733B26202665	Pump Pilot O-Ring	1
8	2014-0002-03AW	PUMP 03 (0.061 cu.in.)	1
	2014-0002-04AW	Pump 04 (0.076 cu.in.)	1
	2014-0002-05AW	Pump 05 (0.097 cu.in.)	1
	2014-0002-06AW	Pump 06 (0.122 cu.in.) (Std.)	1
	2014-0002-07AW	Pump 07 (0.152 cu.in.)	1
	2014-0002-08AW	Pump 08 (0.192 cu.in)	1
9	74F39008000B	M8 Lock Washer	2
10	19T42253	M8 x 50 Bolt	2
	19T42254	M8 x 85 Bolt (Pump 03/04)	2
	19T42255	M8 x 90 Bolt (Pump 05/06)	2
	19T42256	M8 x 95 Bolt (Pump 07/08)	2
	19T42257	M8 x 100 Bolt	2
	19T42258	M8 x 150 Bolt	2
	19T42259	M8 x 200 Bolt	2
	19T42260	M8 x 250 Bolt	2
Notes			
Item 3	Torque to 49 in.lbs.		
Item 10	Torque to 110 in.lbs.		

Manifold Subassembly

LP1*-0*****-000-*



ITEM	PART NUMBER	DESCRIPTION	QUANTITY
1	5620121031BT	Central Manifold	1
2	090T80IEA014	¼" BSPP Plug	3
3	71K12113000T	¼" BSPP Copper Washer	3
4	1201PA00078D	Relief Valve Cavity Plug	1
5	HHBP-8Z	Check Valve Cavity Plug	1
6	56328PA0078A	Solenoid Cavity Plug	1
7	71V28010016B	M12 Headless Plug	1

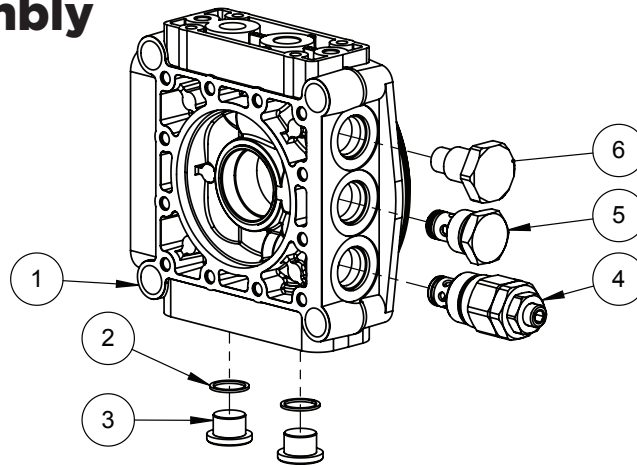
Notes

Item 4, 5, 6	Torque to 177 in.lbs.
Item 2 & 3	Install in valve return
Item 7	Install in relief valve return

Manifold Subassembly

LP1*-1*****-000-*

LP1*-2*****-000-*



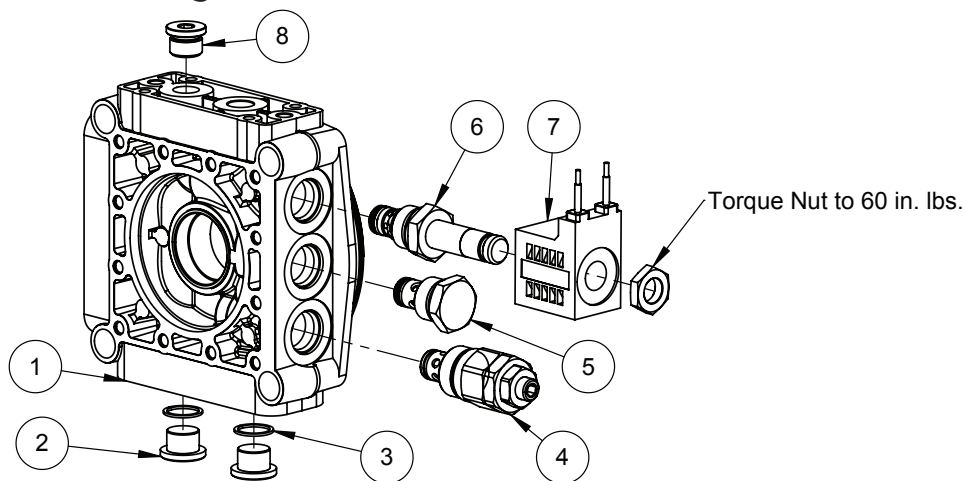
ITEM	PART NUMBER	DESCRIPTION	QUANTITY
1	5620121031BT	Central Manifold	1
2	71K12113000T	¼" BSPP Copper Washer	2
3	090T80IEA014	¼" BSPP Plug	2
4	35T42394H	Relief Valve (Adj. 435 - 5,075 PSI)	1
5	35T42393D	Check Valve	1
6	56328PA0078A	Solenoid Cavity Plug	1

Notes

Item 4, 5, 6	Torque to 177 in.lbs.
--------------	-----------------------

Manifold Subassembly

LP1*-3****-020-*



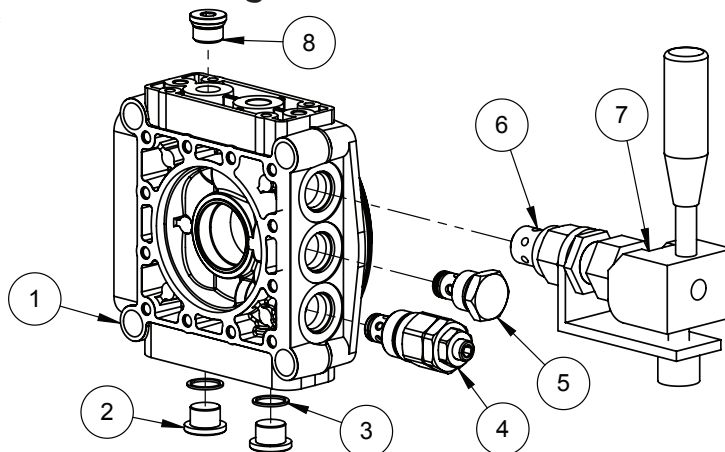
ITEM	PART NUMBER	DESCRIPTION	QUANTITY
1	5620121031BT	Central Manifold	1
2	090T80IEA014	1/4" BSPP Plug	2
3	71K12113000T	1/4" BSPP Copper Washer	2
4	35T42394H	Relief Valve (Adj. 435 - 5,075 PSI)	1
5	35T42393D	Check Valve	1
6	35T42395DXX	DVC 2P3W	1
7	34T42400D	12 VDC Coil	1
8	HHBP-6Z	9/16 - 18 UNF Plug	1

Notes

Item 4,5,6 Torque to 177 in.lbs.

Manifold Subassembly

LP1*-3****-060-*



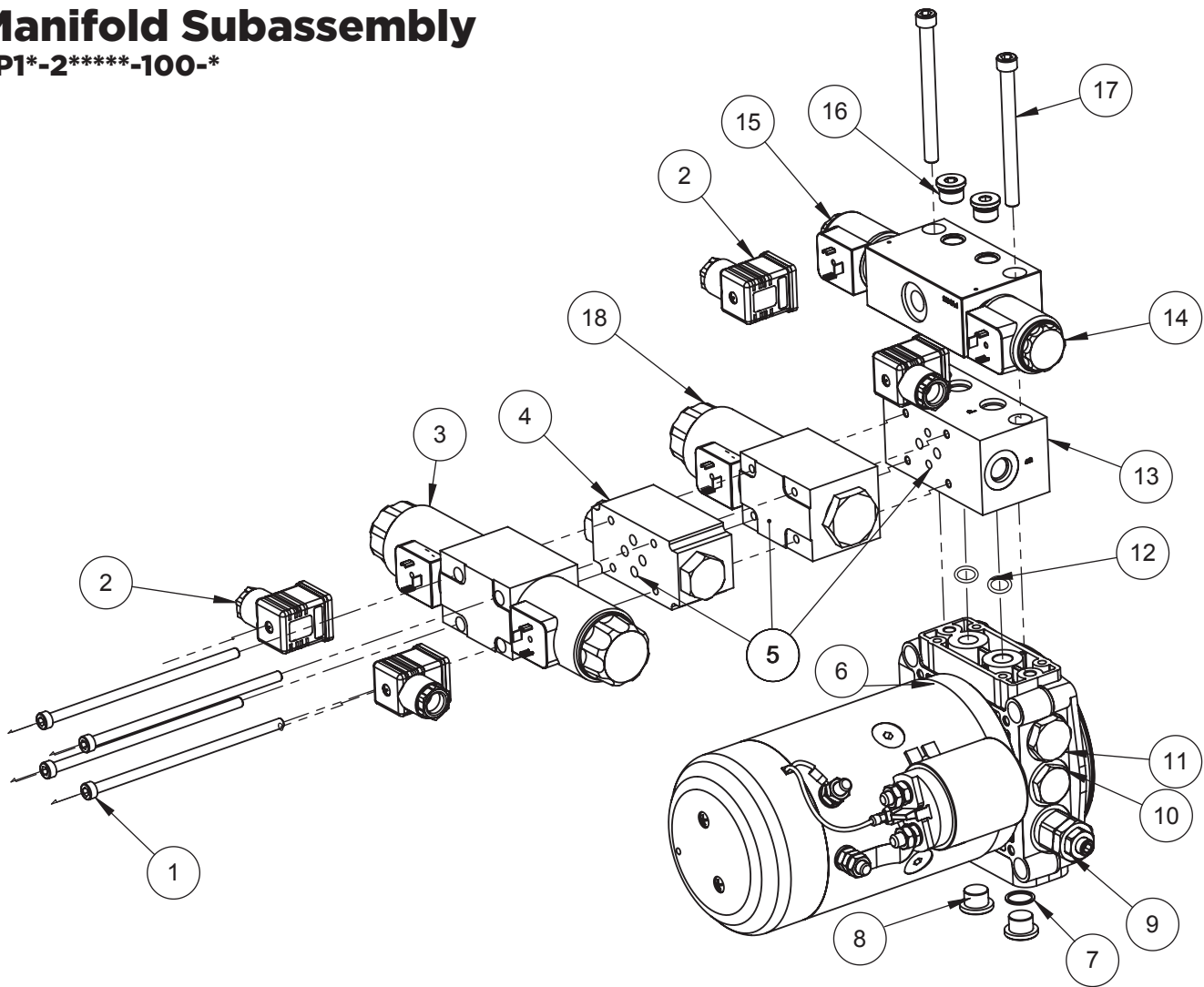
ITEM	PART NUMBER	DESCRIPTION	QUANTITY
1	5620121031BT	Central Manifold	1
2	090T80IEA014	1/4" BSPP Plug	2
3	71K12113000T	1/4" BSPP Copper Washer	2
4	35T42394H	Relief Valve (Adj. 435 - 5,075 PSI)	1
5	35T42393D	Check Valve	1
6	35T42396-H1M	Manual Cartridge Valve	1
7	30T64659	Manual Control Switch	1
8	HHBP-6Z	9/16 - 18 UNF Plug	1

Notes

Item 4,5,6 Torque to 177 in.lbs.

Manifold Subassembly

LP1*-2*****-100-*



ITEM	PART NUMBER	DESCRIPTION	QUANTITY
1	19T42250	M5 x 140 Bolt	4
2	78C00100500A	DIN Connector (LP1*-3*****-020-*)	4
3	35T42451Y-34CCD1	DIN Solenoid Valve 3P4W	1
4	3224170005EK	NFPA Accessory Block - PO Check	1
5	733B17800873	O-Ring (LP*-2*****-100-*)	12
6	5620121031BT	Central Manifold	1
7	71K12113000T	¼" BSPP Copper Washer	2
8	090T801EA014	¼" BSPP Plug	2
9	3T42394H	Relief Valve (Adj. 435-5075 PSI)	1
10	35T42393D	Check Valve	1
11	56328PA0078A	Solenoid Cavity Plug	1
12	733B17801717	O-Ring	4
13	1201PV04330A	Adapter Block 9/16 - 18 UNF	1
14	1201PV04350A	Adapter Block 9/16 - 18 UNF	1
15	562611M3137B	Cartridge Valve	1
16	HHBP-6Z	9/16 - 18 UNF Plug	2
17	19T42253	M8 x 50 Bolt	2
18	1201PV0017CT	NFPA Accessory Block - RV Valve	1

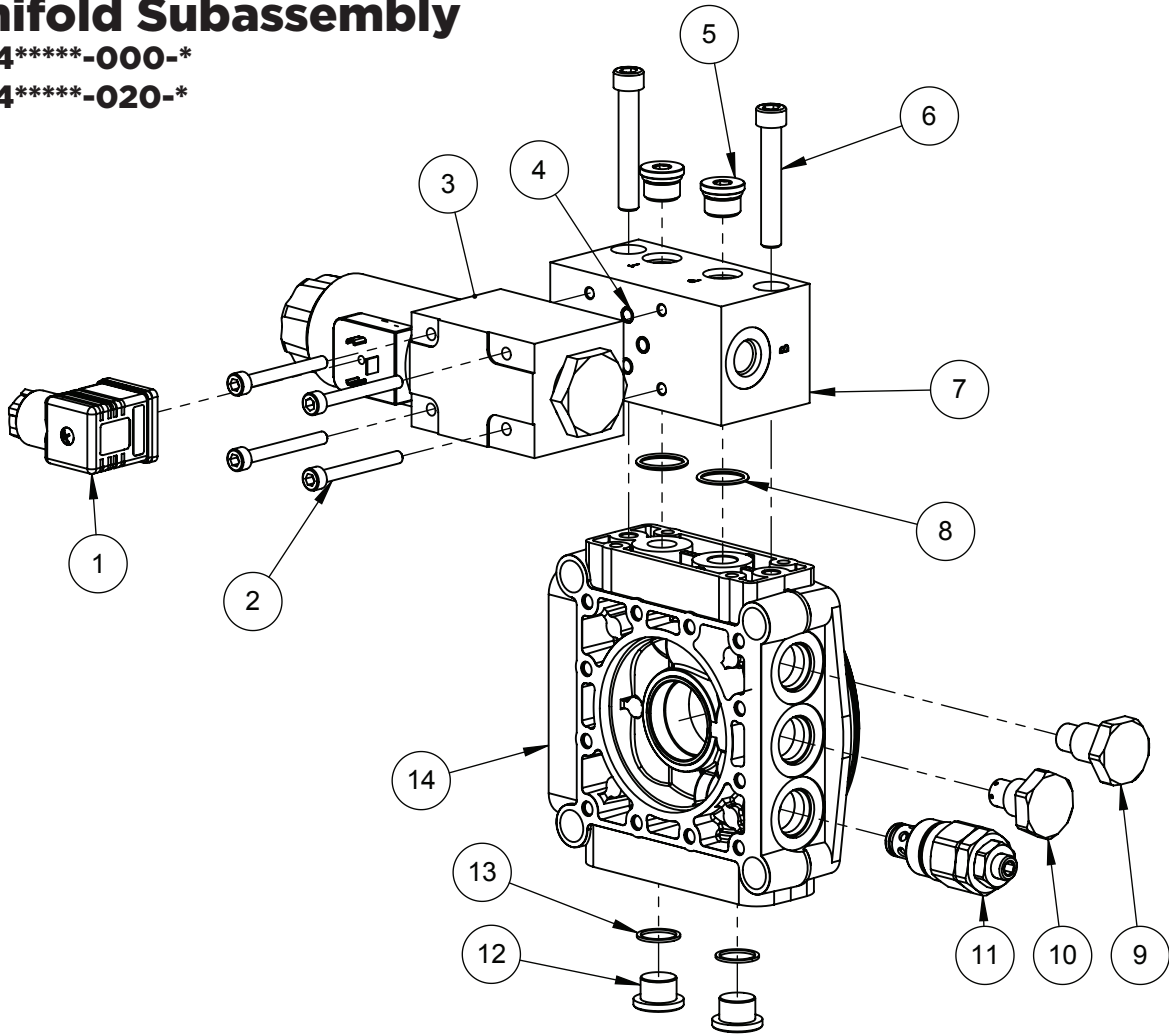
Notes

- Item 1 & 17 Torque to 65 - 80 in.lbs.
- Item 9, 10, 11 Torque to 177 in.lbs.

Manifold Subassembly

LP1*-4*****-000-*

LP1*-4*****-020-*



ITEM	PART NUMBER	DESCRIPTION	QUANTITY
1	78C00100500A	DIN Connector	1
2	19T42246	M5 x ** Bolt	4
3	35T42449Y-24AAD1	DIN Solenoid Valve 2P2/4W	1
4	733B17800873	O-Ring	4
5	HHBP-6Z	9/16 - 18 UNF Plug	2
6	19T42253	M8 x ** Bolt	2
7	1201PV04330A	1201PV043 (for option LP1*-4*****-000-*)	1
	562856AB444B	(for option LP1*-4*****-020-*)	1
8	733B17801717	O-Ring	2
9	56328PA0078A	Solenoid Cavity Plug	1
10	35T42393D	Check Valve	1
11	35T42394H	Relief Valve (Adj. 435 - 5,075 PSI)	1
12	090T80IEA014	1/4" BSPP Plug	3
13	71K12113000T	1/4" BSPP Copper Washer	3
14	5620121031BT	Central Manifold	1

Notes

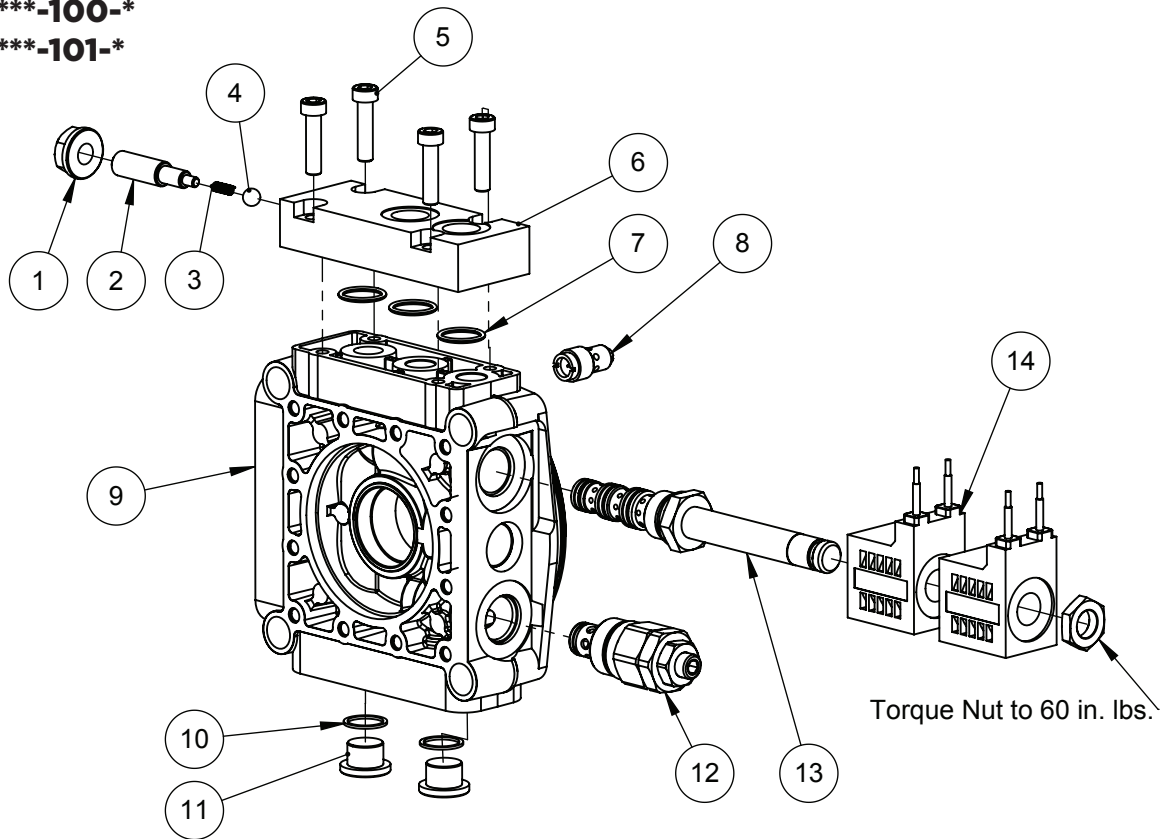
Item 2 & 6 Torque to 65 - 80 in.lbs.

Item 9, 10, 11 Torque to 177 in.lbs.

Manifold Subassembly

LP1*-4*****-100-*

LP1*-4*****-101-*



ITEM	PART NUMBER	DESCRIPTION	QUANTITY
1	71E14410SL0B	M10 Nut	1
2	1201PA02550A	M10 Regulation Screw	1
3	1201PM00130M	Spring	1
4	573000000107	Chrome Steel Ball 7mm	1
5	71D15106025B	M6 x 25 Bolt	4
6	1201PV04560A	Adapter Block	1
7	733B17801560	Relief Valve O-Ring	3
8	3392504A010T	0.26 GPM Flow Control	1
	3392504A020T	0.50 GPM Flow Control	1
	3392504A030T	0.80 GPM Flow Control	1
	3392504A040T	1.00 GPM Flow Control	1
	3392504A050T	1.32 GPM Flow Control	1
	3392504A060T	1.58 GPM Flow Control	1
	3392504A070T	1.85 GPM Flow Control	1
	3392504A080T	2.11 GPM Flow Control	1
	3392504A090T	2.37 GPM Flow Control (Standard(1
	3392504A100T	2.64 GPM Flow Control	1
9	5620121031AB	Central Manifold	1
10	71K12113000T	¼" BSPP Copper Washer	2
11	090T801EA014	¼" BSPP Plug	2
12	35T42394H	Relief Valve (Adj. 435 - 5,075 PSI)	1
13	35T42398D-XX	DCV 3P4W	1
14	34T42400D	12 VDC Coil	2

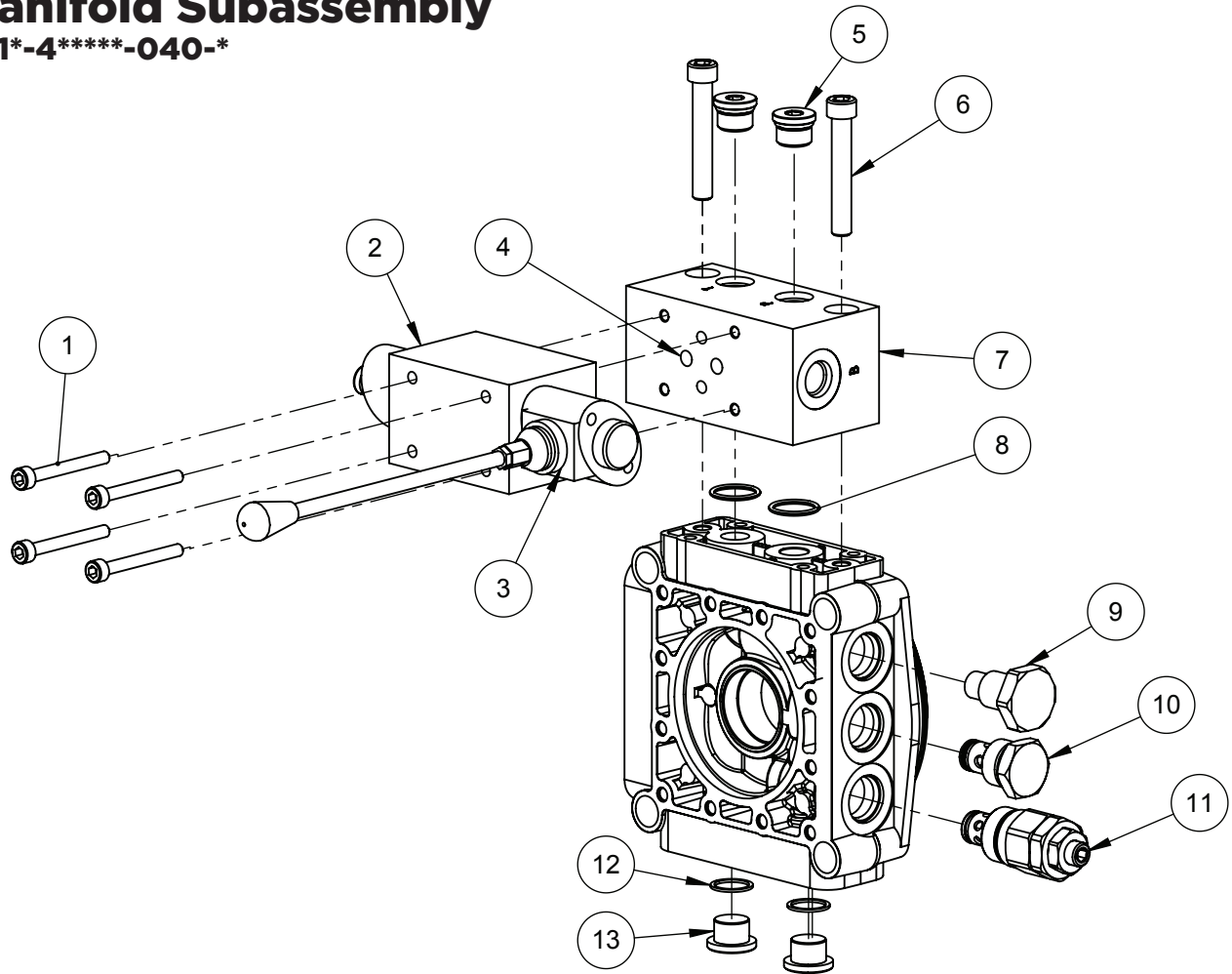
Notes

Item 5 Torque to 65 - 80 in.lbs.

Item 12 & 13 Torque to 177 in.lbs.

Manifold Subassembly

LP1*-4****-040-*

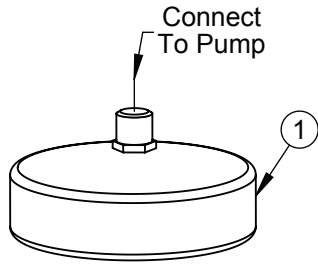


ITEM	PART NUMBER	DESCRIPTION	QUANTITY
1	19T42246	M5 x 45 Bolt	4
2	35T42452H-35DCM1	Manual Actuated Valve 3P4W	1
3	30T64659	Manual Control Contact Switch	1
4	733B17800873	O-Ring	4
5	HHBP-6Z	9/16 - 18 UNF Plug	2
6	19T42253	M8 x 50 Bolt	2
7	1201PV04330A	Adapter Block 7/16 - 18 UNF	1
8	733B17801717	O-Ring	2
9	56328PA0078A	Solenoid Cavity Plug	1
10	35T42393D	Check Valve	1
11	35T42394H	Relief Valve (Adj. 435 - 5,075 PSI)	1
12	71K12113000T	1/4" BSPP Copper Washer	2
13	090T80IEA014	1/4" BSPP Plug	2
Notes			
Item 1 & 5	Torque to 65 - 80 in.lbs.		
Item 8, 9, 10	Torque to 177 in.lbs.		

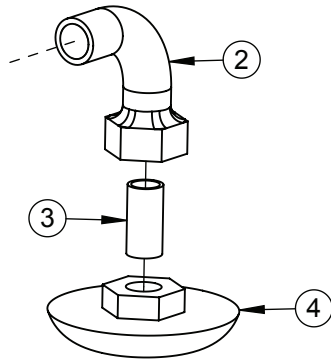
Suction Filter Assembly

Horizontal Mounting Position

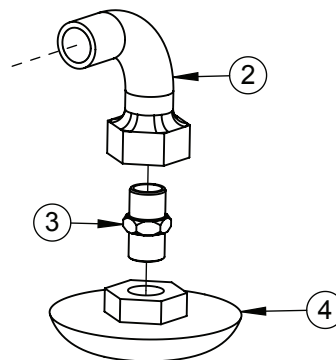
F Type Reservoir



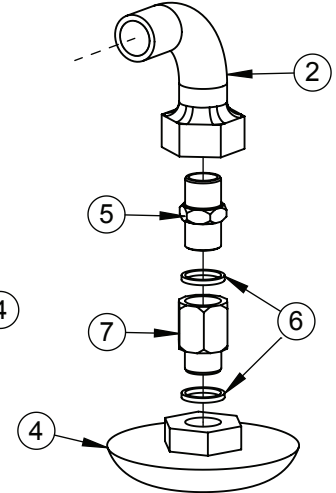
H, J, & K Type Reservoir



A, B, & S Type Reservoir



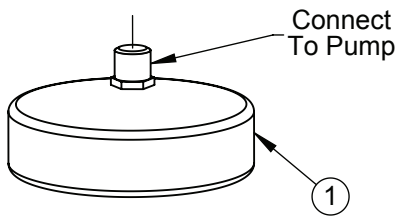
C, D, & E Type Reservoir



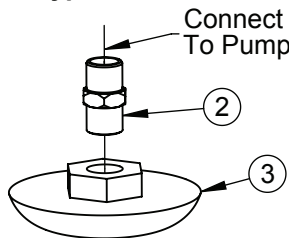
ITEM	PART NUMBER	DESCRIPTION	QUANTITY
1	56233C14HACA	Suction Filter (Type F Only)	1
2	74A01030000A	3/8" Elbow	1
3	74F31030000A	3/8" Nipple (H, J, K, A, B, & S Reservoir)	1
4	56233D14H0CA	Suction Filter	2
5	74C80030000A	3/8" Nipple (C, D, & E Reservoir)	1
6	71K121180000T	3/8" Copper Washer	2
7	090P70GC0038	3/8" M-F Connector	1

Horizontal Mounting Position

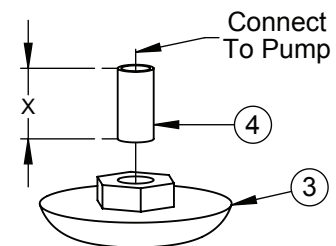
F Type Reservoir



L Type Reservoir



A, B, C, D, E & S Type Reservoir

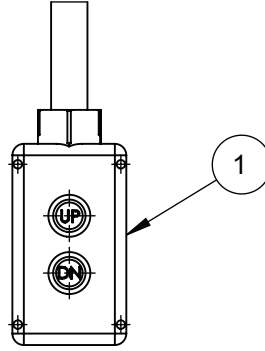


ITEM	PART NUMBER	DESCRIPTION	QUANTITY
1	56233C14HACA	Suction Filter (Type F Only)	1
2	74C80030000A	3/8" Nipple	1
3	56233D14H0CA	Suction Filter	1
4	2300PT00520C	Poly Suction Tube (Vertical H, J, & K)	1
	21016150000A	Steel Suction Tube (Vertical A & C)	1
	21116150000A	Steel Suction Tube (Vertical B, D, & E)	1

Reservoir Type - Dim X in Inches (mm)			
Reservoir Type	Size	Reservoir Type	Size
A	3.94" (100 mm)	E	14.17" (360 mm)
B	4.33" (110 mm)	H	3.75" (95.3 mm)
C	6.30" (160 mm)	J	6.70" (170 mm)
D	8.27" (210 mm)	K	9.84" (250 mm)

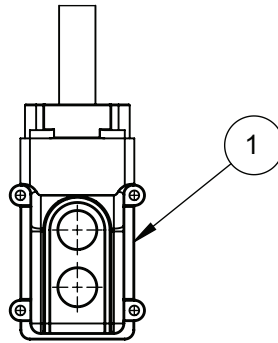
Electrical Componets

3 Position Valve Controller



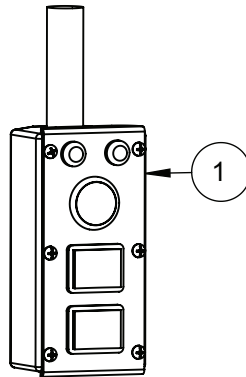
ITEM	PART NUMBER	DESCRIPTION	QUANTITY
1	38T42471L22	Corded Control (Standard)	1

Standard Controller



ITEM	PART NUMBER	DESCRIPTION	QUANTITY
1	38T42472	Corded Control (Standard)	1
	15012304001S	Corded Control (Weather Resistant)	

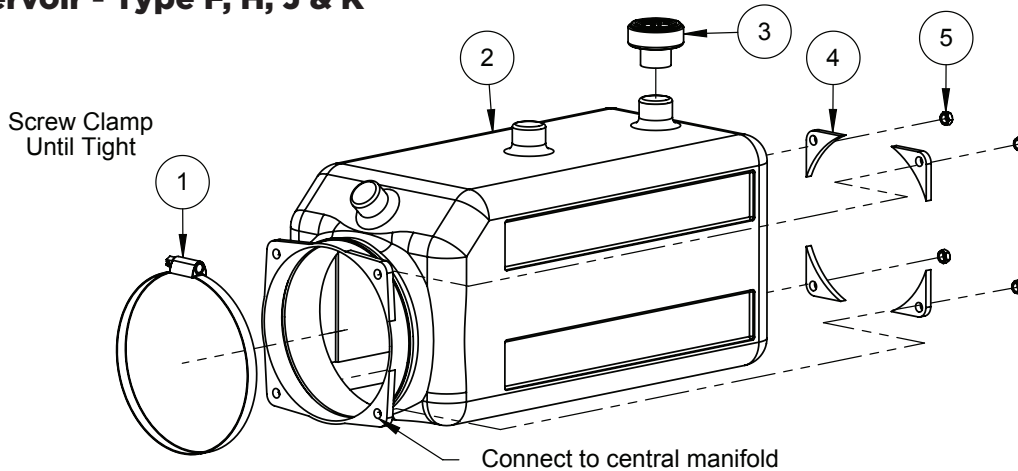
Snow Plow Controller



ITEM	PART NUMBER	DESCRIPTION	QUANTITY
1	38T42473	Corded Control (Snow Plow)	1

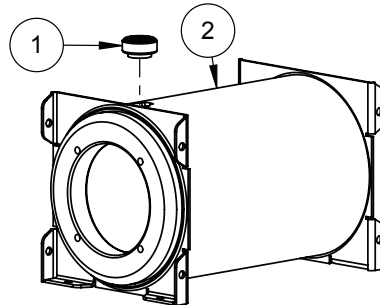
Detail C - Reservoir Assembly

Poly Reservoir - Type F, H, J & K



ITEM	PART NUMBER	DESCRIPTION	QUANTITY
1	71P03197127B	Worm Drive Clamp	1
	56220201B00E	1.6 qt. Horizontal - F	
	56220201B01E	1.5 qt. Vertical - F	
	56220301B00E	3.2 qt. Horizontal - H	
	56220301B02E	3.2 L Vertical - H	
2	56220501B00E	5.3 qt. Horizontal - J	1
	56220501B02E	5.3 qt. Vertical - J	
	56220701B00E	8.5 qt. Horizontal - K	
	56220701B02E	8.5 qt. Vertical - K	
	56220701B04E	8.5 qt. Horizontal - K (Center Port)	
3	39G57B000C0C	Breather Cap (Res. Type F, H, J, & K)	1
4	2300PS05270Z	Poly Reservoir Mounting. Bracket	4
5	71E14106000B	M6 Nut	4
Notes			
Item 5	Torque to 75 in.lbs.		

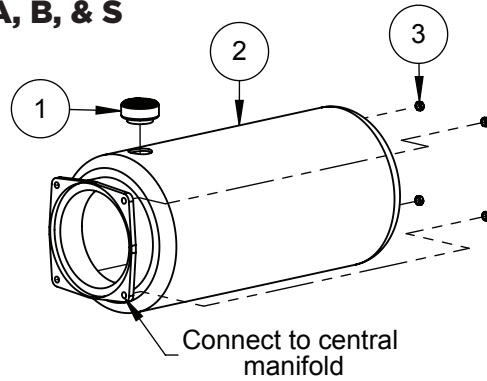
Poly Reservoir - Type C, D & E



ITEM	PART NUMBER	DESCRIPTION	QUANTITY
1	39G52E000C0C	Breather Cap	1
2	56221803B23Z	8.4 qt. Horizontal - C	1
	56221A03B23Z	10.5 qt. Horizontal - D	
	56221A53B23Z	15.8 qt. Horizontal - E	

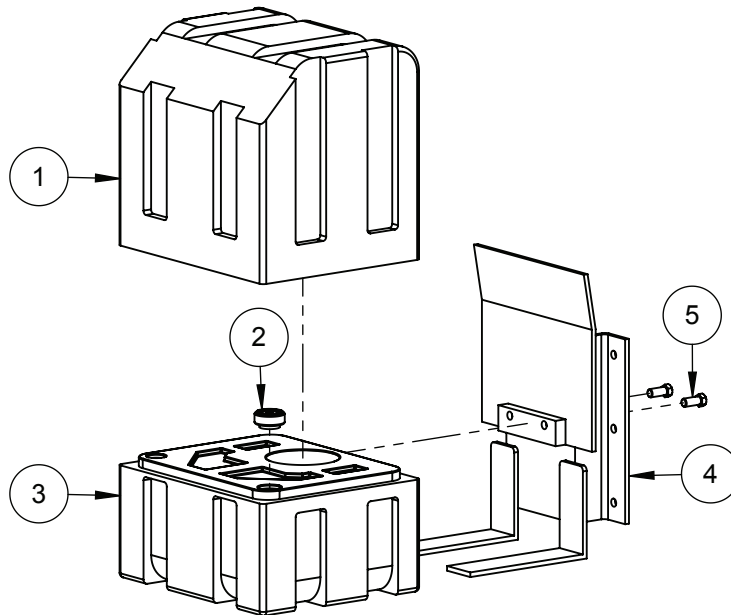
Detail C - Reservoir Assembly

Steel Reservoir - Type A, B, & S



ITEM	PART NUMBER	DESCRIPTION	QUANTITY
1	39G52D000C0C	Breather Cap	1
2	56221203A23Z	8.4 qt. Horizontal - C	1
	56221403A23Z	10.5 qt. Horizontal - D	
	56221833A23Z	15.8 qt. Horizontal - E	
3	71E14106000B	M6 Nut	1
Item 3	Torque to 75 in.lbs.		

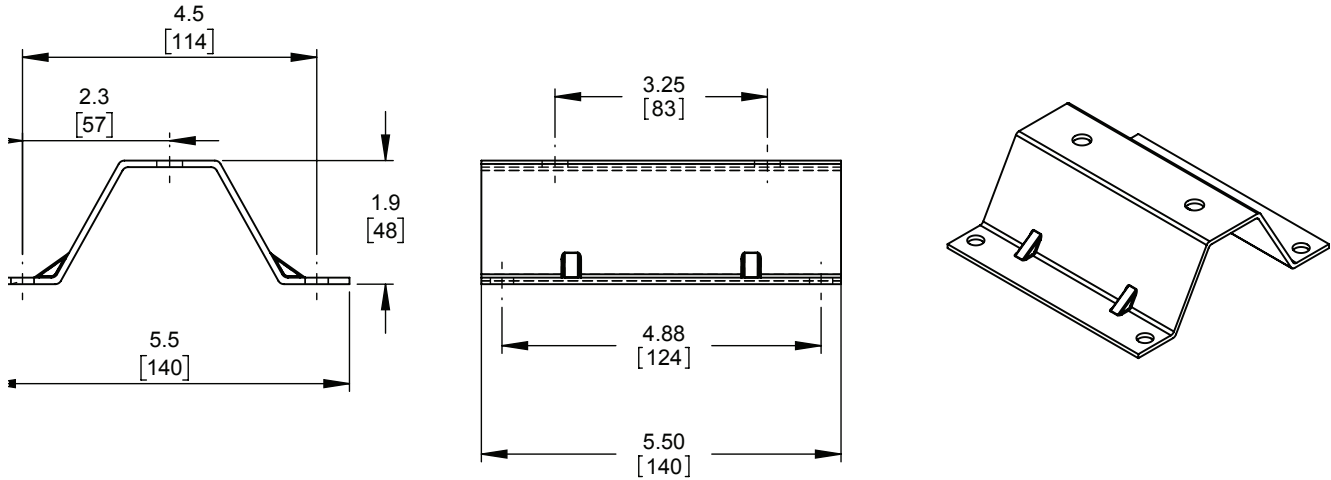
Poly Reservoir Enclosure - Type L



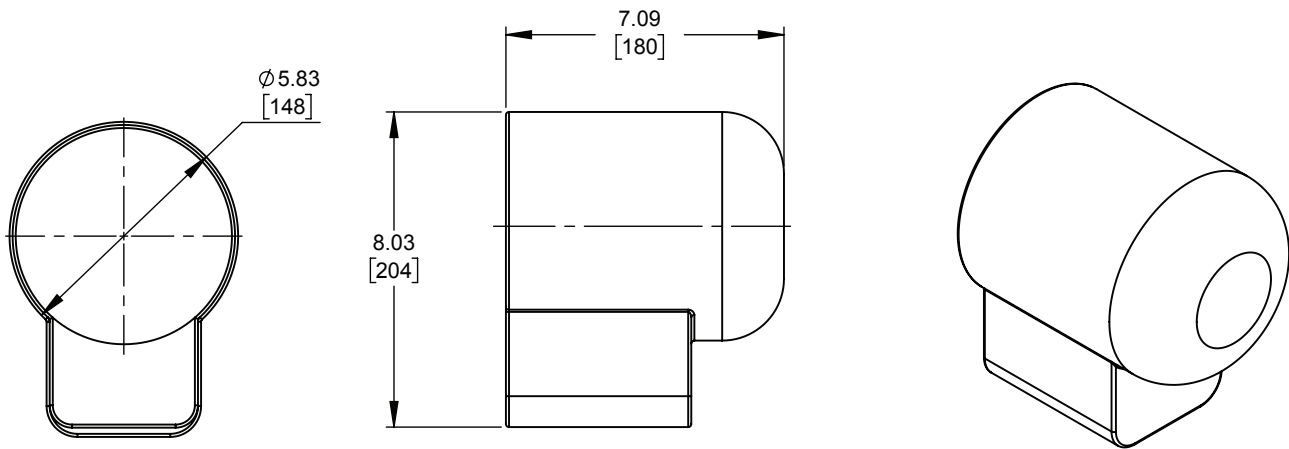
ITEM	PART NUMBER	DESCRIPTION	QUANTITY
1	56ZP3070010C	10.5 qt. Vertical Cover	1
2	39G52E000C0C	Breather Cap	
3	56ZP3080010C	10.5 qt. Vertical	1
4	2300PS0054B0	Reservoir Support Bracket	
5	71A74716010B	$\frac{7}{16}$ - 20 x 1" Bolt	2

Optional Accessories

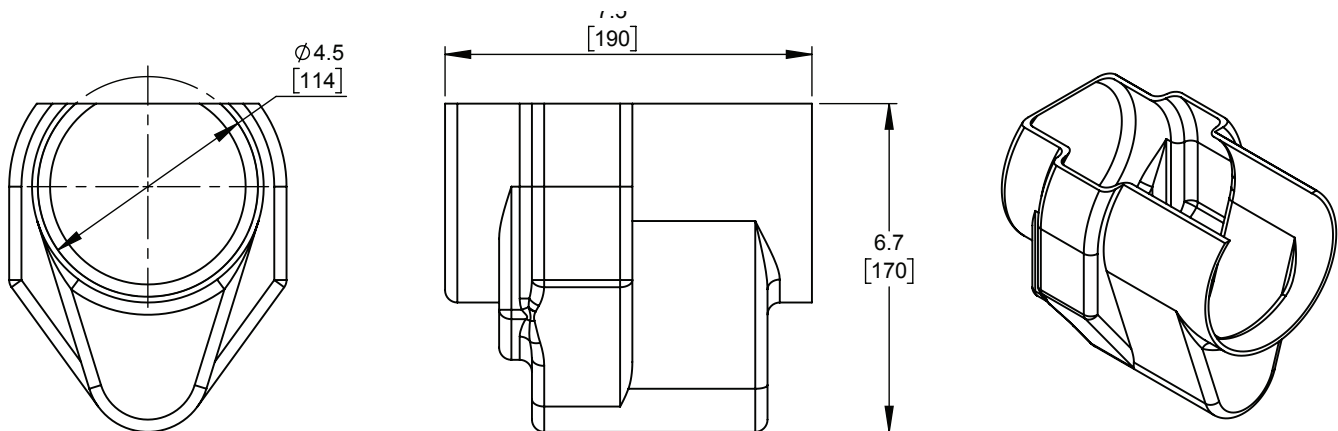
Mounting Bracket - 5623512400CA



Motor Cover - 56253010000N



Motor Cover - 56253010000H



A Member of the Interpump Group

SP19-02 (Rev. 12-23)

201 East Jackson Street, Muncie, Indiana 47305
800-367-7867 • Fax: 765-284-6991 • info@munciepower.com

Specifications are subject to change without notice. Visit www.munciepower.com for warranties and literature. All rights reserved. © Muncie Power Products, Inc. (2019)