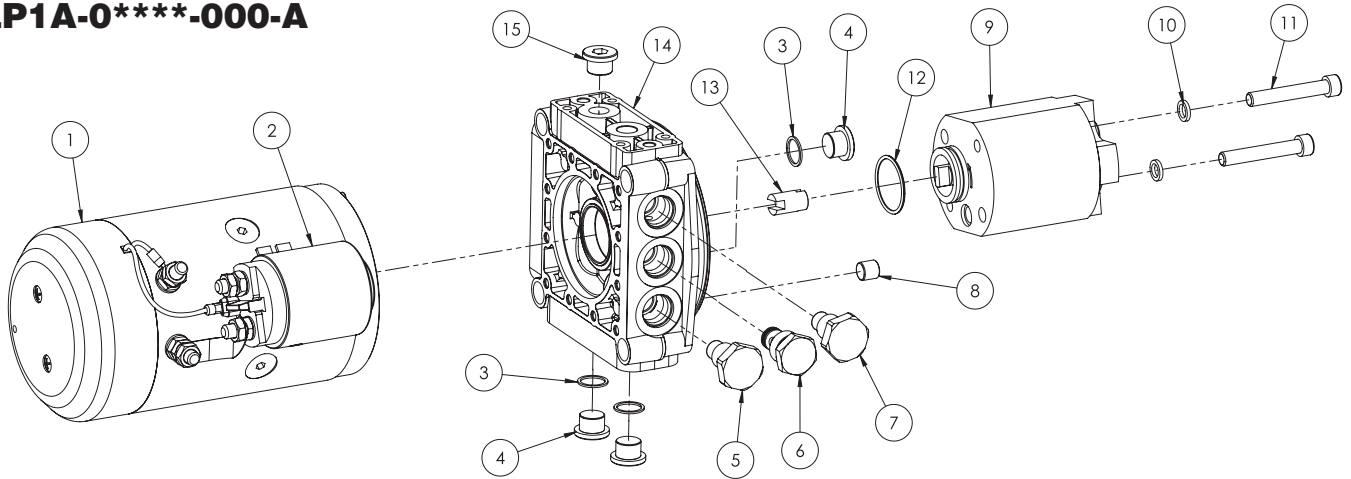


DC POWER PACK

SERVICE PARTS

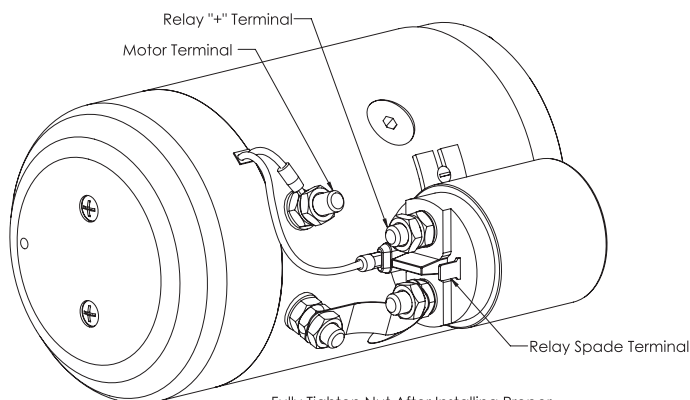
LP1A-0****-000-A



ITEM	PART NUMBER	DESCRIPTION	QTY
1	56250A160LOG	12 V DC Motor w/200A Relay	1
2	56252120801G	200A Relay	1
3	71K12113000T	1/4" BSPP Copper Washer	2
4	090T80IEA014	1/4" BSPP Plug	2
5	1201PA00078D	Relief Valve Cavity Plug	1
6	HHBP-8Z	Check Valve Cavity Plug	1
7	56328PA0078A	Solenoid Cavity Plug	1
8	71V28010016B	M12 Headless Plug	1
9	2014000203AW	Pump 03 (0.061 cu.in.)	1
	2014000204AW	Pump 04 (0.076 cu.in.)	
	2014000205AW	Pump 05 (0.097 cu.in.)	
	2014000206AW	Pump 06 (0.122 cu.in.) (Std.)	
	2014000207AW	Pump 07 (0.152 cu.in.)	
	2014000208AW	Pump 08 (0.192 cu.in.)	

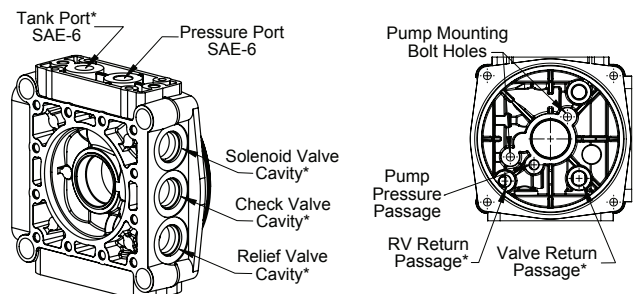
ITEM	PART NUMBER	DESCRIPTION	QTY
10	71F39008000B	M8 Lock Washer	2
11	71D15108085B	M8 x 85 Bolt (Pump 03/04)	2
	71D15108090B	M8 x 90 Bolt (Pump 05/06)	
	71D15108095B	M8 x 95 Bolt (Pump 07/08)	
12	733B26202665	Pump Pilot O-Ring	1
13	563422B20EET	Motor Connector Shaft	1
14	5620121031BT	Central Manifold	1
15	HHBP-6Z	9/16 - 18 UNF Plug	1

Motor and Controller Wiring Details



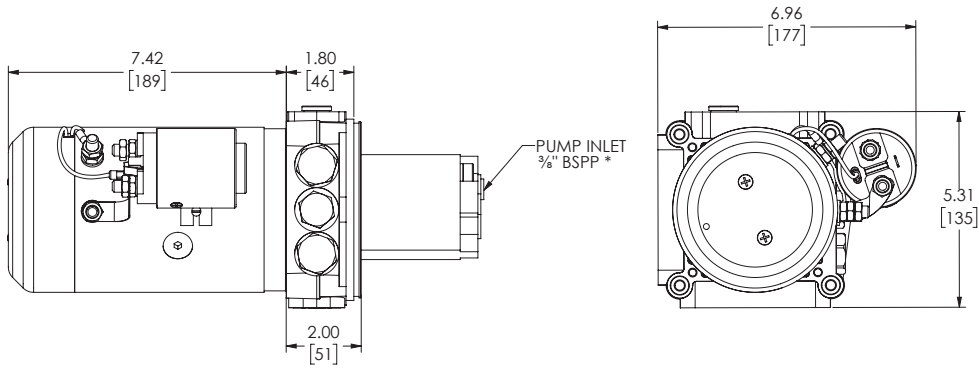
Fully Tighten Nut After Installing Proper Wires Onto The "+" and "-" Terminal

Central Manifold Details



Dimensions

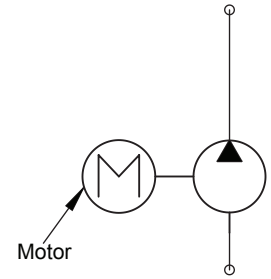
IN Inches (mm)



Side View

Front View

Hydraulic Schematic



DC POWER PACK MODEL NUMBER CONSTRUCTION

LP 1 A - 0 H X X 06 - 000 - C

DC Power Pack — LP

Design Number — 1

Voltage

12VDC

— A

Function

Pump/Motor Only

— 0

Mounting Position

Horizontal (Std.)

— H

Reservoir Type

None

— X

Operator Control Device

A — No Controls

C — Corded Electronic Control

M — Manual Control

Assembly Code

000— Number Increments for Variations

Pump Size

03 — 1.00 cc/0.061 cu.in. (3,000 PSI Max)

04 — 1.25 cc/0.076 cu.in. (3,000 PSI Max)

05 — 1.60 cc/0.097 cu.in. (3,000 PSI Max)

06 — 2.00 cc/0.122 cu.in. (3,000 PSI Max)

07 — 2.50 cc/0.152 cu.in. (3,000 PSI Max)

08 — 3.15 cc/0.192 cu.in. (2,500 PSI Max)

Reservoir Size

X — None

** Mounting plates and valves are sold separately, unless included in the assembly code.



A Member of the Interpump Group

SP19-03 (Rev. 12-19)

201 East Jackson Street • Muncie, Indiana 47305
800-367-7867 • Fax 765-284-6991 • info@munciepower.com • www.munciepower.com

Specifications are subject to change without notice. Visit www.munciepower.com for warranties and literature. All rights reserved. © Muncie Power Products, Inc. (2019)