



Muncie<sup>®</sup>  
Power  
Products

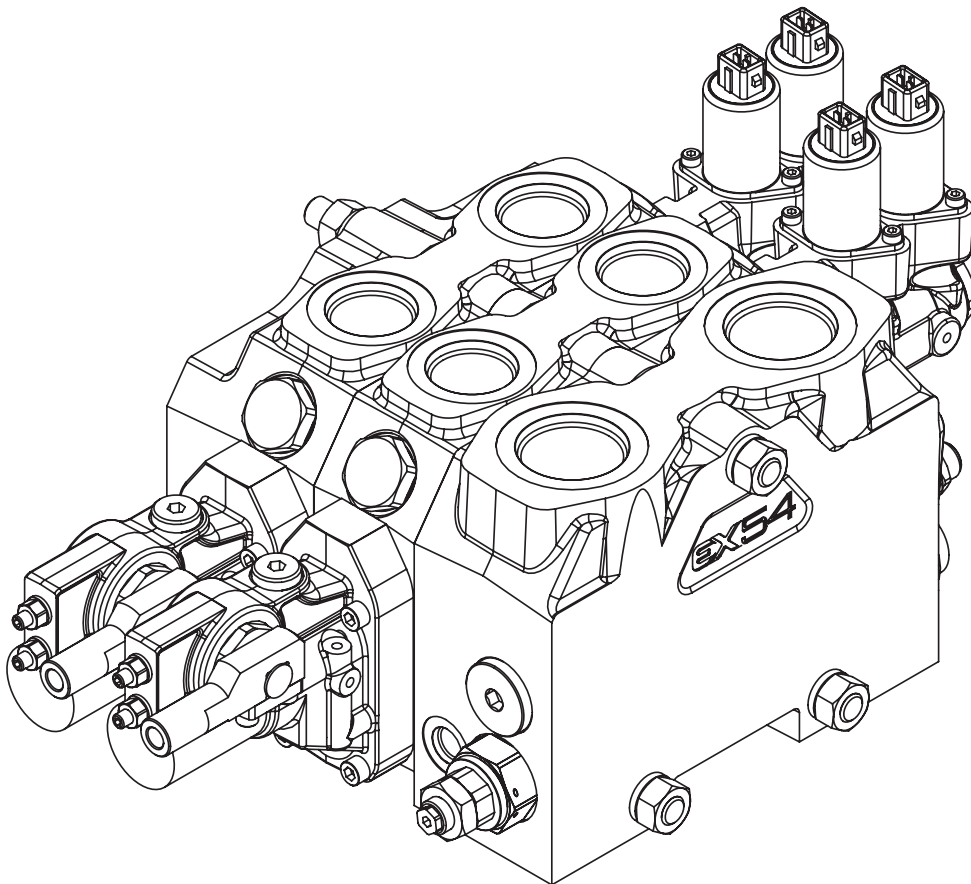
# L275 SERIES

## POST COMPENSATED SECTIONAL LOAD SENSE VALVE

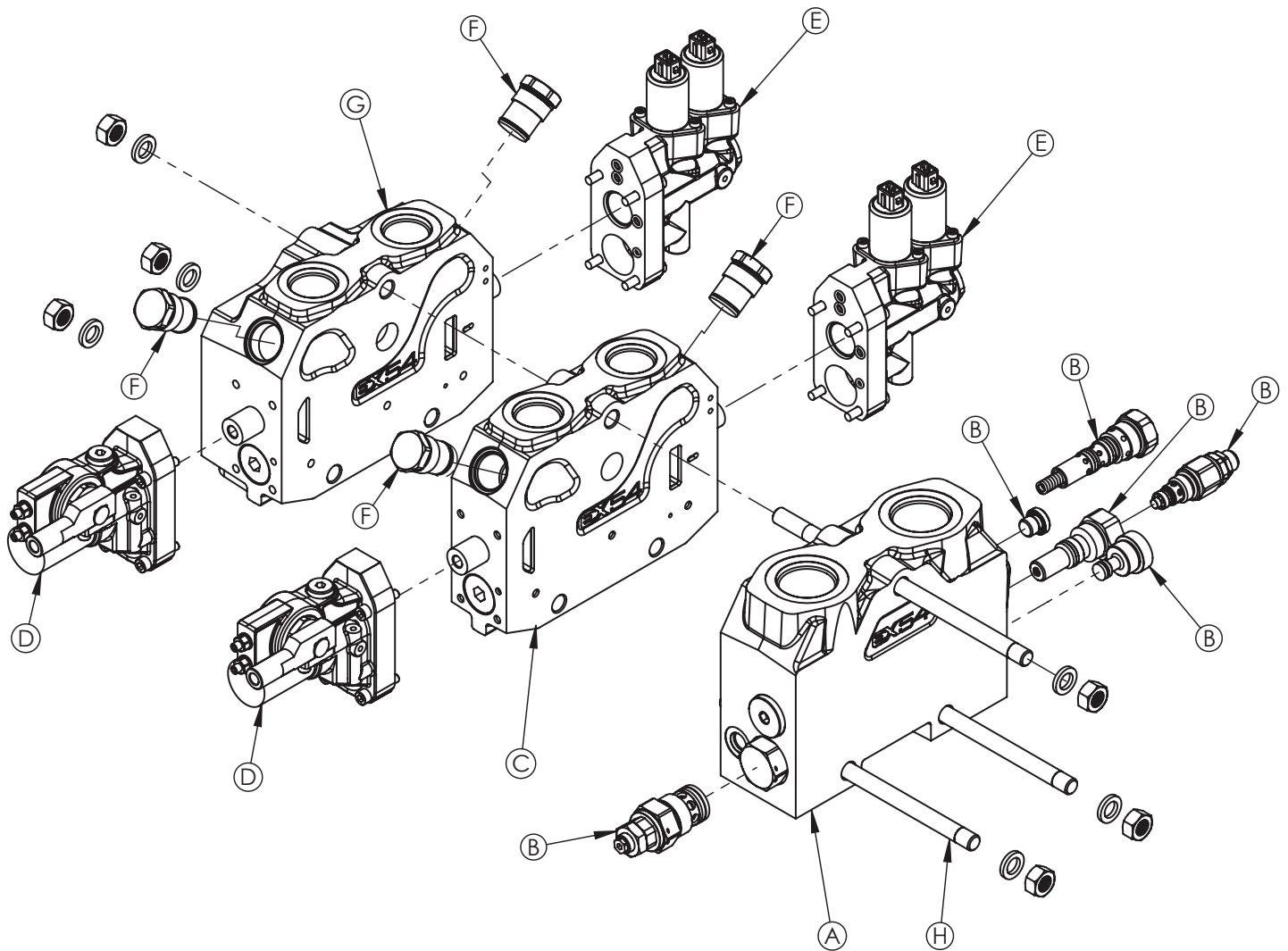
---

PARTS LIST AND SERVICE MANUAL

---



# L275 Assembly - Exploded View

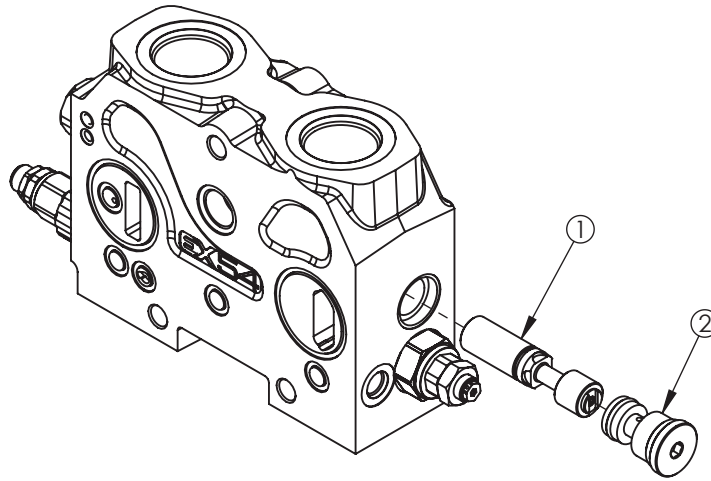


Item	Description	Page
A	Inlet Sections	5
B	Inlet Relief Valve & Accessories	3-8
C	Work Sections	9
D	Control Options	10
E	Back Cap Options	11
F	Work Section Cartridge Valves & Local Comp.	13-16
N/A	Transition Plate	17
N/A	Seal Kits	18
G	Integrated Outlet Section	9
H	Stud Kit	19

# Inlet Section

Kits for Variable or Fixed displacement pumps

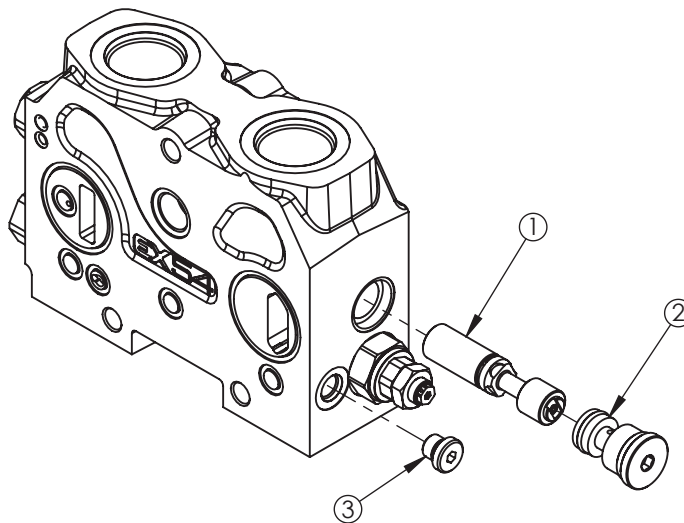
L275-A-QI-J\*\*-\*\*\*-\*



## Kit to create inlet for variable displacement pump

Kit: L275-A-IN-K2J-KIT			
Item	Description	P/N	Qty.
1	Spool assembly, variable	N/A	1
2	Inlet compensator plug, variable	N/A	1
<b>Notes</b>			
Item 2	Torque to 48 ± 1.8 lb.ft. (65 ± 2.5 Nm)		

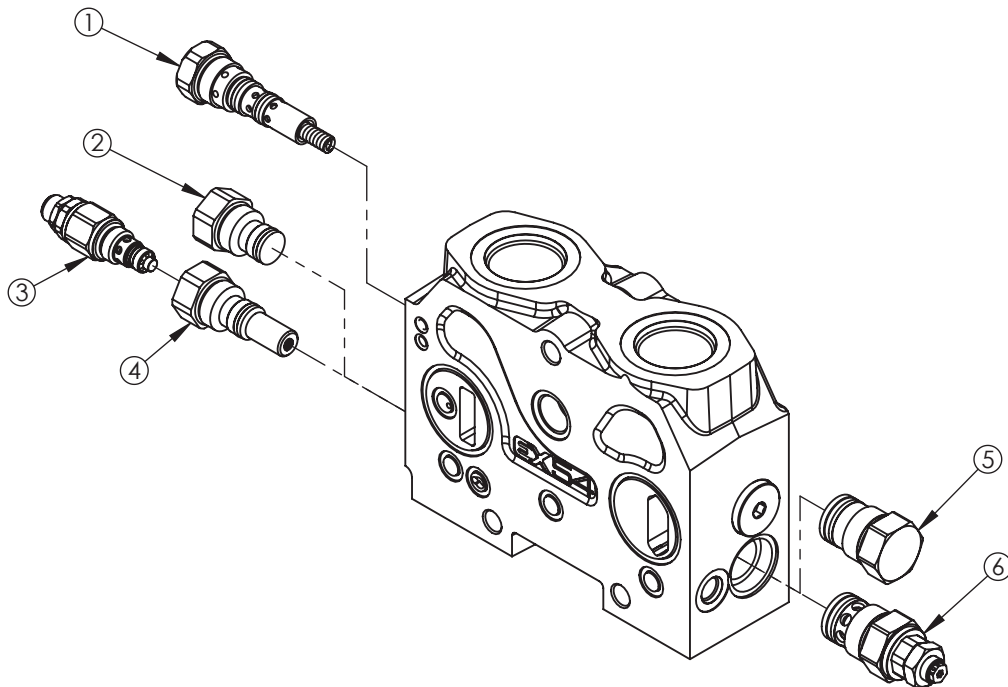
L275-A-QI-K\*\*-\*\*\*-\*



## Kit to create inlet for fixed displacement pump

Kit: L275-A-IN-J2K-KIT			
Item	Description	P/N	Qty.
1	Spool assembly, fixed	N/A	1
2	Inlet compensator plug, fixed	N/A	1
3	Steel plug, -6 SAE	HHBP-6Z	1
<b>Notes</b>			
Item 2	Torque to 48 ± 1.8 lb.ft. (65 ± 2.5 Nm)		

# Inlet Section - Plugs & RVs



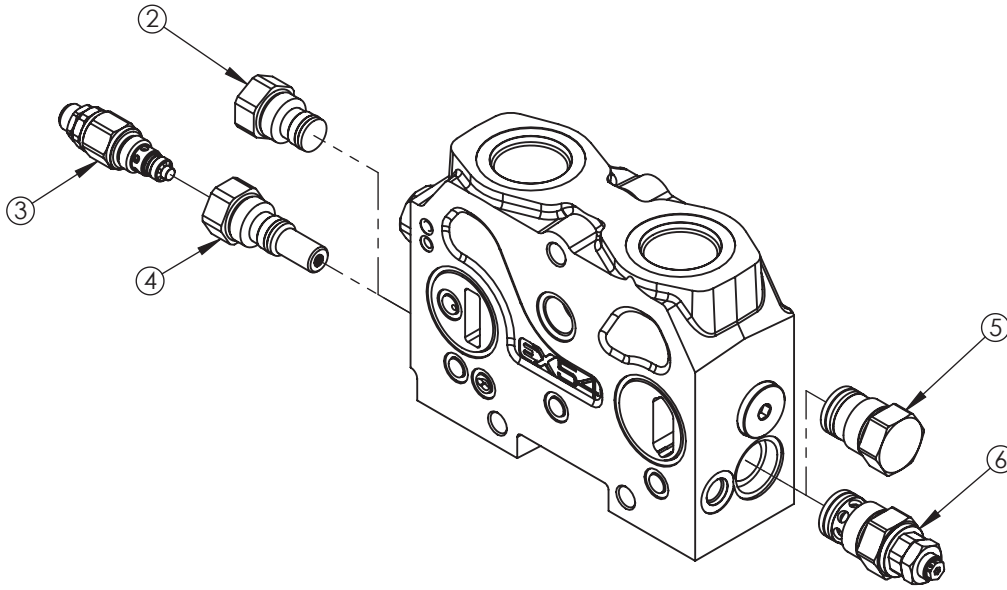
## Relief Valve and Auxiliary Plug Information

Item	Description	P/N	Qty.
1	Pressure reducing valve (for hydraulic pilot)	L275-VPR-Z030	1
2	Steel plug used in place of LS relief valve	L275-AB-XXXX-LS	See Next Page
3	Inlet LS relief valve	See table below	See Next Page
4	Conversion plug	L275-AB-1V1A	See Next Page
5	Steel plug used in place of full flow main relief valve	L275-AB-XXXX	See Next Page
6	Inlet full flow relief valve	See table below	See Next Page
<b>Notes</b>			
Items 1&3	Torque to 30 ± 1.8 lb.ft. (40 ± 2.5 Nm)		
Items 2&4	Torque to 48 ± 1.8 lb.ft. (65 ± 2.5 Nm)		
Items 5&6	Torque to 59 ± 1.8 lb.ft. (80 ± 2.5 Nm)		

Relief Valve Options				
Part Number	Type	Valve Set Point	Valve Adj. Range	Inlet Setting Code
L275-AB-L-120-LS	LS	1,740 PSI (120 BAR)	1,740–3,625 PSI (50–250 BAR)	12
L275-AB-M-251-LS	LS	3,640 PSI (251 BAR)	3,640–5,075 PSI (251–350 BAR)	25
L275-AB-F-160	Main	2,320 PSI (160 BAR)	725–5,075 PSI (50–350 BAR)	16

LS relief valve must be, at minimum, 580 PSI (40 BAR) less than the main relief valve when installed

# Inlet Section - Configurations

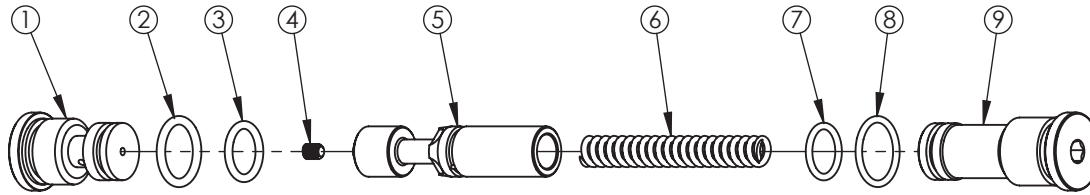


Inlet Configurations for Variable Displacement Pumps					
Item #:	2	3	4	5	6
Description	Steel Plug, LS RV	LS RV	LS RV Conv. Plug	Steel Plug, Main RV	Main RV
Inlet Part Number*	Quantity				
L275-A-QK-J00-##-##-X		1	1		1
L275-A-QK-J01-##-XX-X		1	1	1	
L275-A-QK-J19-XX-##-X	1				1
Notes					
1. ## = RV setting(s), see "Relief Valve Options" table on previous page for "inlet setting codes"					
2. LS relief valve must be, at minimum, 580 PSI (40 BAR) less than the main relief valve when installed					

Inlet Configurations for Fixed Displacement Pumps					
Item #:	2	3	4	5	6
Description	Steel Plug, LS RV	LS RV	LS RV Conv. Plug	Steel Plug, Main RV	Main RV
Inlet Part Number*	Quantity				
L275-A-QK-K00-##-##-X		1	1		1
L275-A-QK-K01-##-XX-X		1	1	1	
L275-A-QK-K19-XX-##-X	1				1
Notes					
1. ## = RV setting(s), see "Relief Valve Options" table on previous page for "inlet setting codes"					
2. LS relief valve must be, at minimum, 580 PSI (40 BAR) less than the main relief valve when installed					

# Inlet Section - Compensators

## Inlet Compensator Assembly for Variable Displacement Pumps

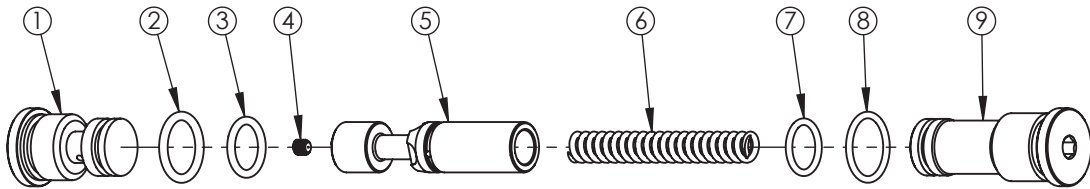


Compensator assembly not available for purchase. (See page 3 for available parts)

Item	Description	P/N	Qty.
1	Inlet compensator plug with oil passage holes	N/A	1
2	O-Ring, Viton, 70°Sh, 0.10" × 0.86" (2.62 × 21.89 mm)	12T43860	1
3	O-Ring, Viton, 90°Sh, 0.10" × 0.71" (2.46 × 17.93 mm)	N/A	1
4	Compensator spool plug, solid plug	N/A	1
5	Compensator spool	N/A	1
6	Compensator spring	N/A	1
7	O-Ring, Viton, 90°SH, 0.10" × 0.71" (2.46 × 17.93 mm)	N/A	1
8	O-Ring, Viton, 70°SH, 0.10" × 0.86" (2.62 × 21.89 mm)	12T43860	1
9	Compensator assembly plug	N/A	1

**Control Notes**  
 Items 1&9 Torque to 35 ± 1.8 lb.ft. (47.5 ± 2.5 Nm)

## Inlet Compensator Assembly for Fixed Displacement Pumps

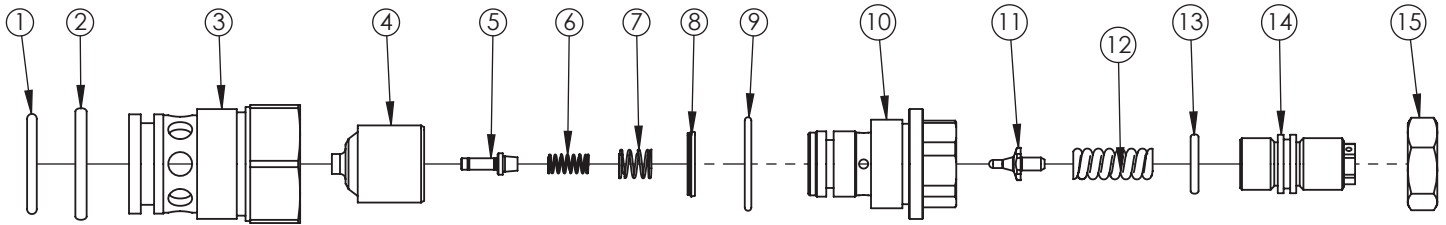


Compensator assembly not available for purchase. (See page 3 for available parts)

Item	Description	P/N	Qty.
1	Inlet compensator plug, solid plug	N/A	1
2	O-Ring, Viton, 70°Sh, 0.10" × 0.86" (2.62 × 21.89 mm)	12T43860	1
3	O-Ring, Viton, 90°Sh, 0.10" × 0.71" (2.46 × 17.93 mm)	N/A	1
4	Compensator spool plug, with 0.6 mm orifice	N/A	1
5	Compensator spool	N/A	1
6	Compensator spring	N/A	1
7	O-Ring, Viton, 90°SH, 0.10" × 0.71" (2.46 × 17.93 mm)	N/A	1
8	O-Ring, Viton, 70°SH, 0.10" × 0.86" (2.62 × 21.89 mm)	12T43860	1
9	Compensator assembly plug	N/A	1

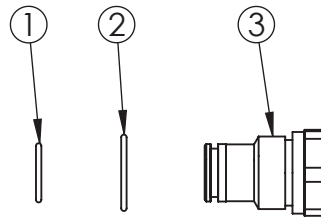
**Control Notes**  
 Items 1&9 Torque to 35 ± 1.8 lb.ft. (47.5 ± 2.5 Nm)

# Inlet Relief Valves & Accessories



## L275-AB-F-160 Main Inlet Relief Valve, Pilot Operated

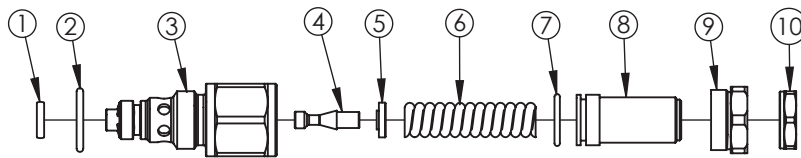
Item	Description	P/N	Qty.
1	O-Ring, Viton, 90°Sh, 0.10" × 0.86" (2.62 × 21.89 mm)	12T64572	1
2	O-Ring, Viton, 70°Sh, 0.07" × 1.05" (1.78 × 26.70 mm)	N/A	1
3	Main RV cartridge body	N/A	1
4	Poppet	N/A	1
5	Poppet	N/A	1
6	Spring	N/A	1
7	Spring	N/A	1
8	Slide ring/O-Ring assembly	N/A	1
9	O-Ring, Viton, 70°Sh, 0.07" × 0.80" (1.78 × 20.35 mm)	12T64457	1
10	Valve seat	N/A	1
11	Poppet	N/A	1
12	Spring	N/A	1
13	O-Ring, Viton, 70°Sh, 0.07" × 0.52" (1.78 × 13.29 mm)	N/A	1
14	Adjusting screw	N/A	1
15	Jam nut	N/A	1
<b>Notes</b>			
Item 3	Torque to 59 ± 7 lb.ft. (80 ± 10 Nm)		
Item 10	Torque to 44 ± 2.5 lb.ft. (60 ± 3 Nm)		
Item 15	Torque to 14.75 ± 1.5 lb.ft. (20 ± 2 Nm)		



## L275-AB-XXXX Steel Plug Used in Place of Main Inlet Relief Valve

Item	Description	P/N	Qty.
1	O-Ring, Viton, 90°Sh, 0.10" × 0.86" (2.62 × 21.89 mm)	12T64572	1
2	O-Ring, Viton, 70°Sh, 0.07" × 1.05" (1.78 × 26.70 mm)	N/A	1
3	Steel blanking plug	N/A	1
<b>Notes</b>			
Item 3	Torque to 59 ± 7 lb.ft. (80 ± 10 Nm)		

# Inlet Load Sense Relief Valve & Accessories

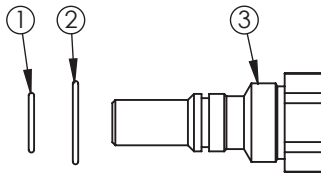


## L275-AB-\* Load Sense Inlet Relief Valve, Direct Acting (See page 4 for available setting options)

Item	Description	P/N	Qty.
1	O-Ring, Viton, 90°Sh, 0.07" × 0.36" (1.78 × 9.25 mm)	N/A	1
2	O-Ring, Viton, 70°Sh, 0.09" × 0.64" (2.21 × 16.36 mm)	N/A	1
3	Load sense RV cartridge	N/A	1
4	Poppet	N/A	1
5	Spring seat	N/A	1
6	Spring	N/A	1
7	O-Ring, Viton, 90°Sh, 0.07" × 0.55" (1.78 × 14.00 mm)	N/A	1
8	Adjusting screw	N/A	1
9	Threaded plug	N/A	1
10	Jamb nut	N/A	1

**Control Notes**

Item 3	Torque to 30 ± 1.8 ft.lb. (40 ± 2.5 Nm)
Items 9&10	Torque to 14.75 ± 1.5 ft.lb. (20 – 2 Nm)

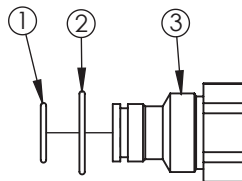


## L275-AB-LV1A Conversion plug, MUST be used with Load Sense RV.

Item	Description	P/N	Qty.
1	O-Ring, Viton, 90°Sh, 0.07" × 0.93" (1.78 × 23.52 mm)	N/A	1
2	O-Ring, Viton, 70°Sh, 0.07" × 0.61" (1.78 × 15.60 mm)	12T64426	1
3	Steel blanking plug	N/A	1

**Control Notes**

Item 3	Torque to 48 ± 1.8 lb.ft. (65 – 2.5 Nm)
--------	---



## L275-AB-XXXX-LS Steel plug used in place of Load Sense Inlet Relief Valve

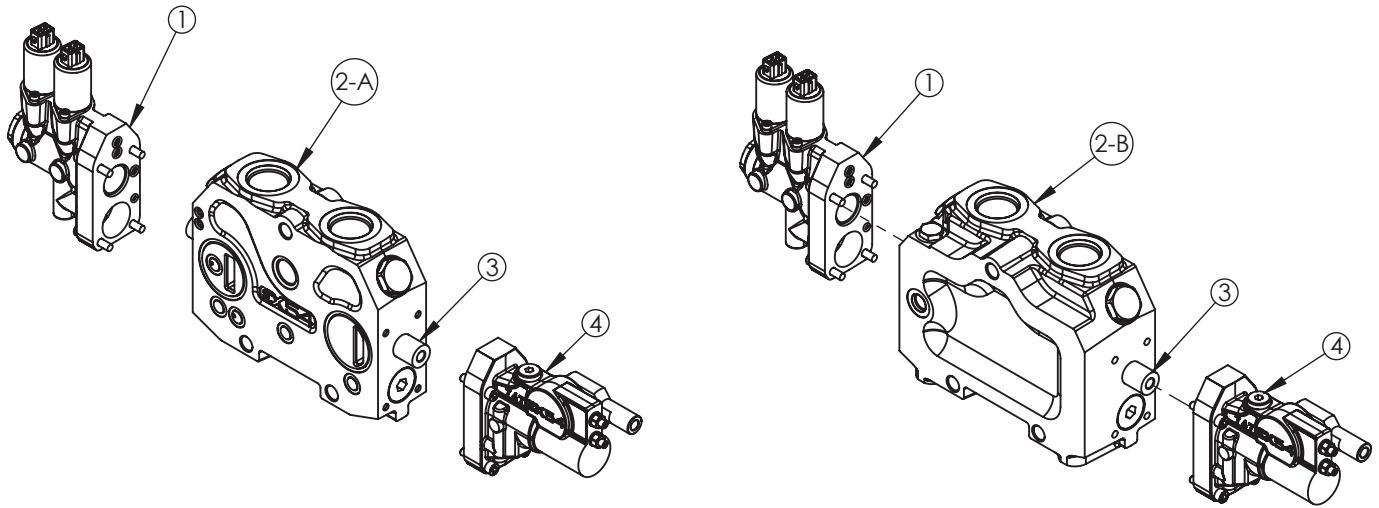
Item	Description	P/N	Qty.
1	O-Ring, Viton, 90°Sh, 0.07" × 0.93" (1.78 × 23.52mm)	N/A	1
2	O-Ring, Viton, 70°Sh, 0.07" × 0.61" (1.78 × 15.60mm)	12T64426	1
3	Steel blanking plug	N/A	1

**Control Notes**

Item 3	Torque to 48 ± 1.8 lb.ft. (65 – 2.5 Nm)
--------	---



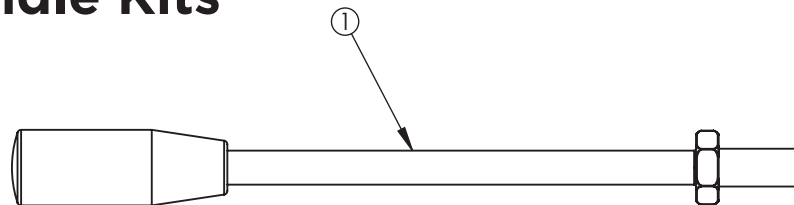
# Work Section & Integrated Work Section/End Plate



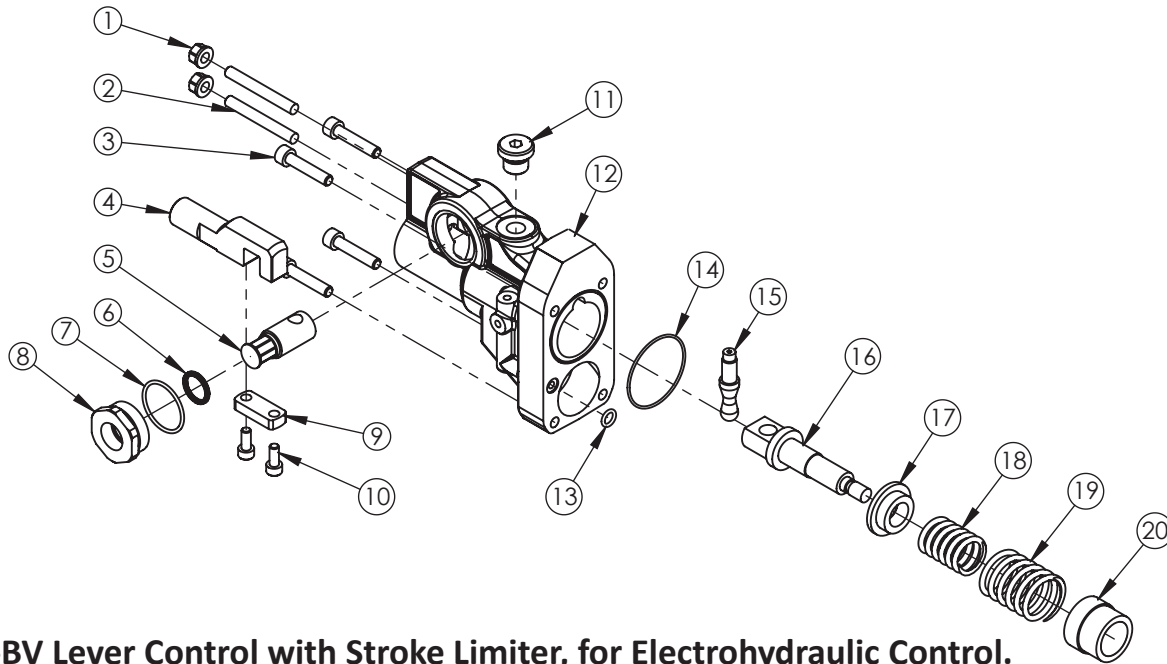
Item	Description	P/N
1	Back-cap option (See page 11 for more information)	L275-BC-49
2-A	Work section casting machined for work port options with -16 SAE ports	N/A
2-B	Work section casting machined for work port options with -16 SAE ports & -6 SAE & -6 SAE LS signal & E/H pilot drain	N/A
3	Spool (See table below for more information)	L275-SPL-**
4	Control option (See pages 10 for more information)	L275-CT-BV

3 Position, 4 Way Spools		Max Flow
Double Acting Cylinder Spool	Double Acting Motor Spool	GPM/LPM
L275-SPL-ZJ-050	L275-SPL-YM-050	13.2 GPM (50 LPM)
L275-SPL-ZR-100	L275-SPL-YT-100	26.4 GPM (100 LPM)
L275-SPL-ZT-150	L275-SPL-YV-150	39.6 GPM (150 LPM)
L275-SPL-ZW-200	L275-SPL-YY-200	52.8 GPM (200 LPM)
L275-SPL-ZX-250	L275-SPL-YZ-250	66.1 GPM (250 LPM)

## Lever Handle Kits

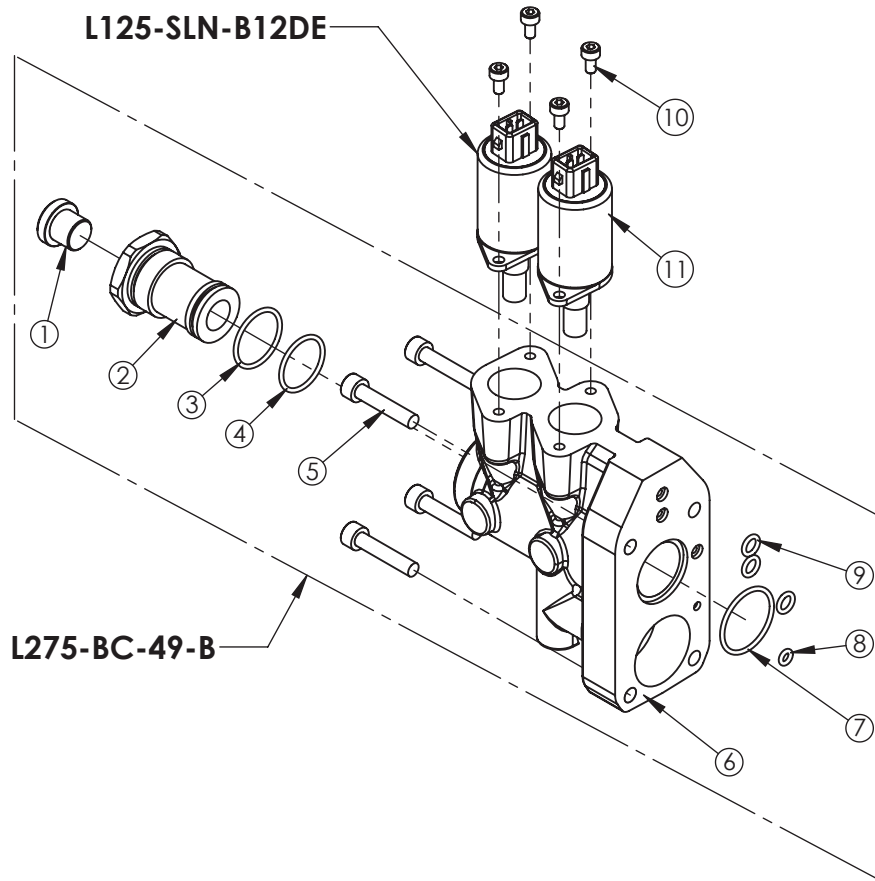


Item	Description	P/N
1	8" (210 mm) lever handle, M10 thread	VLVH-01A-210
	8.6" (219 mm) lever handle, M10 thread, with lens cap	VLVH-02A-219



**L275-CT-BV Lever Control with Stroke Limiter, for Electrohydraulic Control.  
Must be used with L275-BC-49**

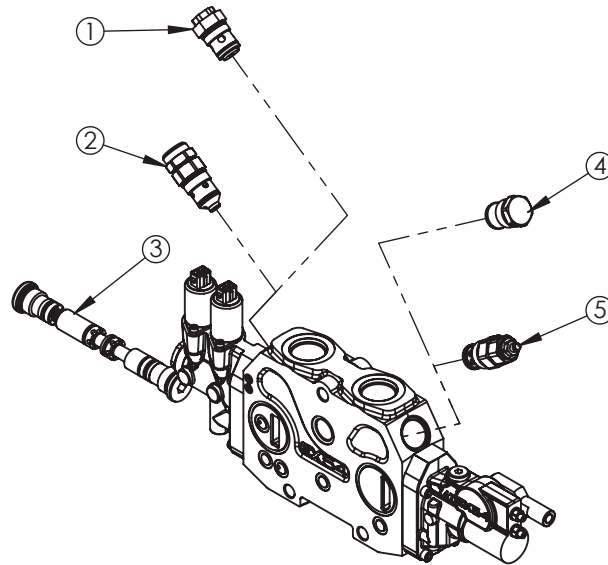
Item	Description	P/N	Qty.
1	M6 lock nut	N/A	2
2	Screw, M6 x 50 UNI 5923	N/A	2
3	Screw, M6 x 30 gr 8.8 (UNI 5931)	N/A	4
4	Lever receiver	N/A	1
5	Pivot pin	N/A	1
6	Quad seal Viton, 70°Sh, 0.10" × 0.61" (2.62 × 15.55 mm)	N/A	1
7	O-Ring, Viton, 70°Sh, 0.07" × 0.99" (1.78 × 25.12 mm)	12T35577	1
8	Drilled plug/pivot pin retainer	N/A	1
9	Retainer plate for lever receiver	N/A	1
10	Screw, M5 x 12 gr 8.8 (UNI 5931)	N/A	2
11	1/8" BSP Plug	N/A	1
12	Electrohydraulic control body	N/A	1
13	O-Ring, Viton, 70°Sh, 0.07" × 0.26" (1.78 × 6.70 mm)	N/A	1
14	O-Ring, Viton, 70°Sh, 0.07" × 1.49" (1.78 × 37.82 mm)	N/A	1
15	Electrohydraulic spool connector	N/A	1
16	Spool eye for electrohydraulic control	N/A	1
17	Spring retainer, short	N/A	1
18	Centering spring, small	N/A	1
19	Centering spring, large	N/A	1
20	Spring retainer, long	N/A	1
<b>Notes</b>			
Item 3	Torque to 8.8 ± 0.3 lb.ft. (12 ± 0.4 Nm)		
Item 10	Torque to 1.5 ± 0.3 lb.ft. (2 ± 0.4 Nm)		
Item 16	Clean the threads on item 16 and in the spool seat with a degreasing product. Apply 2 drops of LOCTITE 242 and torque item 16 to 7.4 ± 0.3 lb.ft. (10 ± 0.4 Nm). Be sure not to scratch or damage the spool.		



**L275-BC-49 Electrohydraulic Back-Cap Control, Proportional 12 V**  
**Must be used with L275-CT-BV**

Item	Description	P/N	Qty.
1	¼" gas plug	N/A	1
2	Isolator plug	N/A	1
3	O-Ring, Viton, 70°Sh, 0.07" × 0.93" (1.78 × 23.52 mm)	12T36280	1
4	O-Ring, Viton, 70°Sh, 0.07" × 0.68" (1.78 × 17.17 mm)	12T36880	1
5	Screw, M6 x 30 gr. 8.8 (UNI 5931)	N/A	4
6	Electrohydraulic back cap housing	N/A	1
7	O-Ring, Viton, 70°Sh, 0.07" × 1.03" (1.78 × 26.07 mm)	N/A	1
8	O-Ring, Viton, 70°Sh, 0.07" × 0.145" (1.78 × 3.68 mm)	N/A	1
9	O-Ring, Viton, 70°Sh, 0.07" × 0.239" (1.78 × 6.07 mm)	12T36882	1
10	Screw, M4 x 8 gr. 8.8 (UNI 5931)	N/A	4
11	Solenoid valve, 12V, Deutsch DT4 (comes with item 10 if ordered separately)	L125SLNB12DE	2
<b>Back-cap Notes</b>			
Items 1&10	Torque to 1.5 ± 0.3 lb.ft. (2 ± 0.4 Nm)		
Items 2&5	Torque to 4.4 ± 0.3 lb.ft. (6 ± 0.4 Nm)		

# Work Section Cartridge Valves & Local Compensator

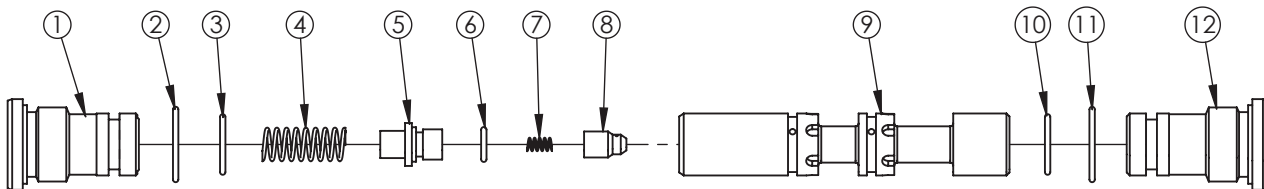


Item	Description	Page #	Qty.
1	L275-W04-XXX, anti-cavitation valve	13	0-2
2	L275-W30-****, relief valve (see page 14 for RV setting options)	14	0-2
3	Work section compensator assembly	12	1
4	L275-WCX-XXXX, steel plug	13	0-2
5	L275-W33-****, relief + anti-cavitation valve (See page 15 for RV + AC setting options)	15	0-2

**Work Section Notes**

Items 1, 2, 4 & 5	Torque to 59 lb.ft. (80 Nm)
-------------------	-----------------------------

# Work Section Compensator



Work Section Compensator shown for assembly purposes only, not available for purchase.

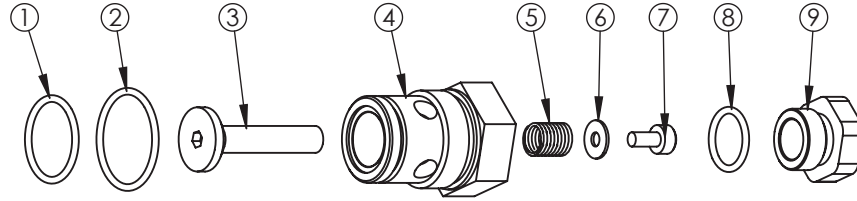
Item	Description	P/N	Qty.
1	Compensator assembly plug for work section (A side)	N/A	1
2	O-Ring, Viton, 70°Sh, 0.10" × 0.80" (2.62 × 20.29 mm)	12T35774	1
3	O-Ring, Viton, 90°Sh, 0.10" × 0.61" (2.62 × 15.54 mm)	12T37037	1
4	Spring, large	N/A	1
5	Plug with orifice	N/A	1
6	O-Ring, Viton, 70°Sh, 0.07" × 0.30" (1.78 × 7.65 mm)	N/A	1
7	Spring, small	N/A	1
8	Compensator shuttle with orifice	N/A	1
9	Compensator spool for work section	N/A	1
10	O-Ring, Viton, 90°Sh, 0.10" × 0.61" (2.62 × 15.54 mm)	12T37037	1
11	O-Ring, Viton, 70°Sh, 0.10" × 0.80" (2.62 × 20.29 mm)	12T35774	1
12	Compensator assembly plug for work section (B side)	N/A	1

**Work Section Notes**

Items 1&12	Torque to 40.5 lb.ft. (55 Nm)
------------	-------------------------------

# Work Port Cartridge Valves

L275-W04-XXXX



## Kit Part Number

L275-W04-XXXX

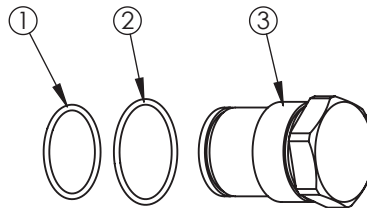
## Work Port Anti-Cavitation Valve

Item	Description	P/N	Qty.
1	O-Ring, Viton, 90°Sh, 0.07" × 0.80" (1.78 × 20.35 mm)	N/A	1
2	O-Ring, Viton, 90°Sh, 0.07" × 0.86" (1.78 × 21.95 mm)	12T64433	1
3	Anti-cavitation plunger	N/A	1
4	Anti-cavitation plug, main body	N/A	1
5	Spring	N/A	1
6	Washer	N/A	1
7	Assembly screw	N/A	1
8	O-Ring, 70°Sh, 0.07" × 0.49" (1.78 × 12.42 mm)	12T36526	1
9	Plug	N/A	1

### Back-cap Notes

Item 4	Torque to 52 lb.ft. (70 Nm)
Item 9	Torque to 15 lb.ft. (20 Nm)

L275-WCX-XXXX



## Kit Part Number

L275-WCX-XXXX

## Work Port Steel Plug

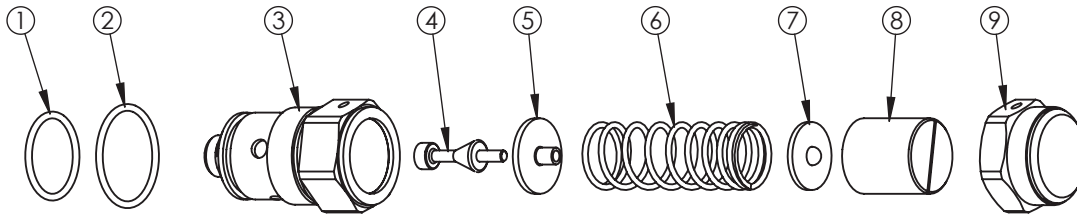
Item	Description	P/N	Qty.
1	O-Ring, Viton, 90°Sh, 0.07" × 0.80" (1.78 × 20.35 mm)	N/A	1
2	O-Ring, Viton, 90°Sh, 0.07" × 0.86" (1.78 × 21.95 mm)	12T64433	1
3	Steel plug	N/A	1

### Back-cap Notes

Item 3	Torque to 52 lb.ft. (70 Nm)
--------	-----------------------------

# Work Port Cartridge Valves

L275-W30-\*\*\*\*



## Part Number

L275-W30-\*\*\*\*

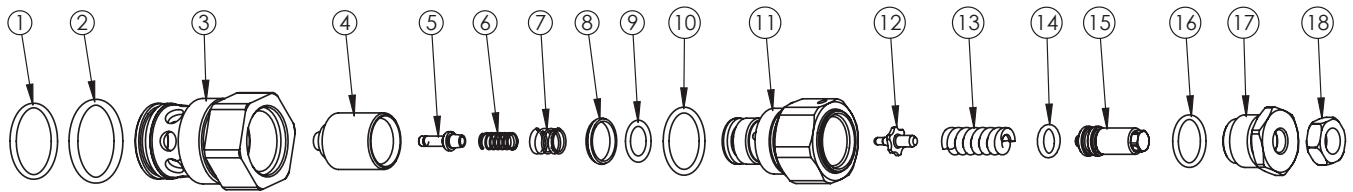
## Work Port Relief Valve

Item	Description	P/N	Qty.
1	O-Ring, 90°Sh, 0.07" × 0.80" (1.78 × 20.35 mm)	N/A	1
2	O-Ring, 90°Sh, 0.07" × 0.86" (1.78 × 21.95 mm)	12T64433	1
3	Main body, relief valve	N/A	1
4	Poppet	N/A	1
5	Spring seat, lower	N/A	1
6	Work port RV "K" spring, adj. from: 1,015–2,175 PSI (70–150 BAR)	L275-W30-K-SPG	1
	Work port RV "L" spring, adj. from: 2,190–3,335 PSI (151–230 BAR)	L275-W30-L-SPG	
	Work port RV "H" spring, adj. from: 3,350–4,060 PSI (231–280 BAR)	L275-W30-H-SPG	
	Work port RV "M" spring, adj. from: 4,045–5,075 PSI (281–350 BAR)	L275-W30-M-SPG	
7	Spring seat, upper	N/A	1
8	Work port RV, adjusting screw	N/A	1
9	Work port RV, jamb nut/cap	N/A	1
<b>Back-cap Notes</b>			
Item 3	Torque to 52 lb.ft. (70 Nm)		
Item 9	Torque to 15 lb.ft. (20 Nm)		

Relief Valve Options		
Part Number	Cartridge Valve Set Point	Cartridge Valve Adj Range
L275-W30-K070	Set @ 1,015 PSI (70 BAR)	Adj. from: 1,015–2,175 PSI (70–150 BAR)
L275-W30-K150	Set @ 2,175 PSI (150 BAR)	

# Work Port Cartridge Valves

L275-W33-F130



## Part Number

L275-W33-F130

## Work Port Relief Valve

Item	Description	P/N	Qty.
1	O-Ring, 90°Sh, 0.07" × 0.80" (1.78 × 20.35 mm)	N/A	1
2	O-Ring, 90°Sh, 0.07" × 0.86" (1.78 × 21.95 mm)	12T64433	1
3	Main body, relief valve + anti-cavitation valve	N/A	1
4	Poppet	N/A	1
5	Poppet	N/A	1
6	Spring	N/A	1
7	Spring	N/A	1
8	Slide ring	N/A	1
9	O-Ring, Viton, 70°Sh, 0.07" × 0.34" (1.78 × 8.73 mm)	N/A	1
10	O-Ring, Viton, 70°Sh, 0.07" × 0.68" (1.78 × 17.17 mm)	12T36880	1
11	Valve seat	N/A	1
12	Poppet	N/A	1
13	Work port RV+AC "F" spring, adj. from: 725–6,090 PSI (50–420 BAR)	N/A	1
14	O-Ring, Viton, 70°Sh, 0.07" × 0.27" (1.78 × 6.75 mm)	N/A	1
15	Adjusting screw	N/A	1
16	O-Ring, Viton, 70°Sh, 0.07" × 0.49" (1.78 × 12.42 mm)	12T36526	1
17	Drilled plug	N/A	1
18	Jamb nut	N/A	1

### Back-cap Notes

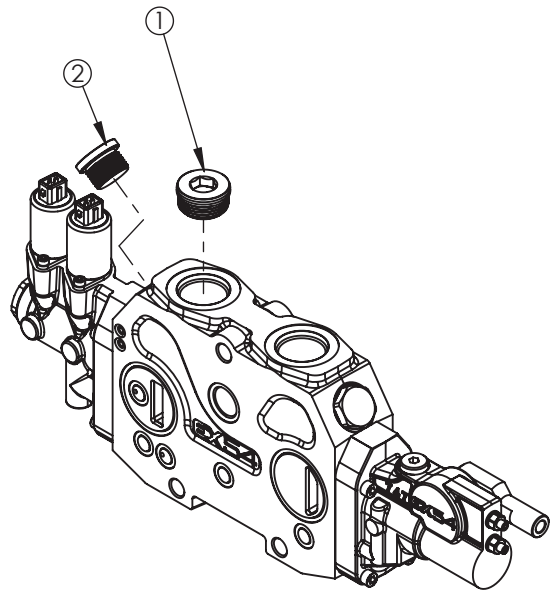
Items 3&11	Torque to 52 ± 7 lb.ft. (70 ± 10 Nm)
Item 17	Torque to 30 ± 2.5 lb.ft. (40 ± 3 Nm)
Item 18	Torque to 11 ± 1.5 lb.ft. (15 ± 2 Nm)

Relief Anti-cavitation Valve Options		
Part Number	Cartridge Valve Set Point	Cartridge Valve Adj Range
L275-W33-F130	Set @ 1,885 PSI (130 BAR)	Adj. from: 725–6,090 PSI (50–420 BAR)

# Work Section Additional Options

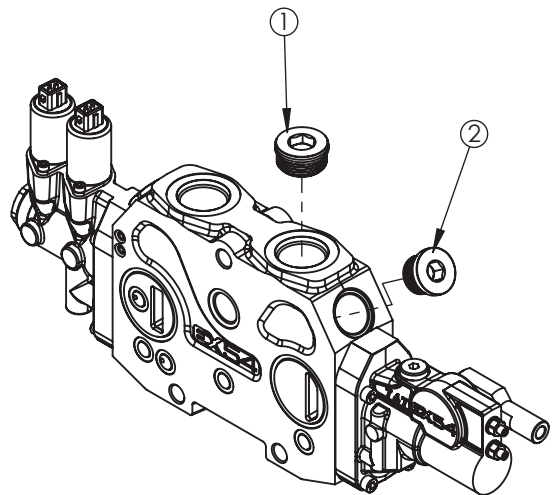
## Kit Part Number L275-SAP-56-B

Item	Description	P/N	Qty.
1	-16 SAE steel plug	HHBP16Z	1
2	Steel blanking plug	25T64849	1
<b>Control Notes</b>			
Item 1	Torque to 80 lb.ft. (108 Nm)		
Item 2	Torque to 59 lb.ft. (80 Nm)		



## Kit Part Number L275-SAP-56-A

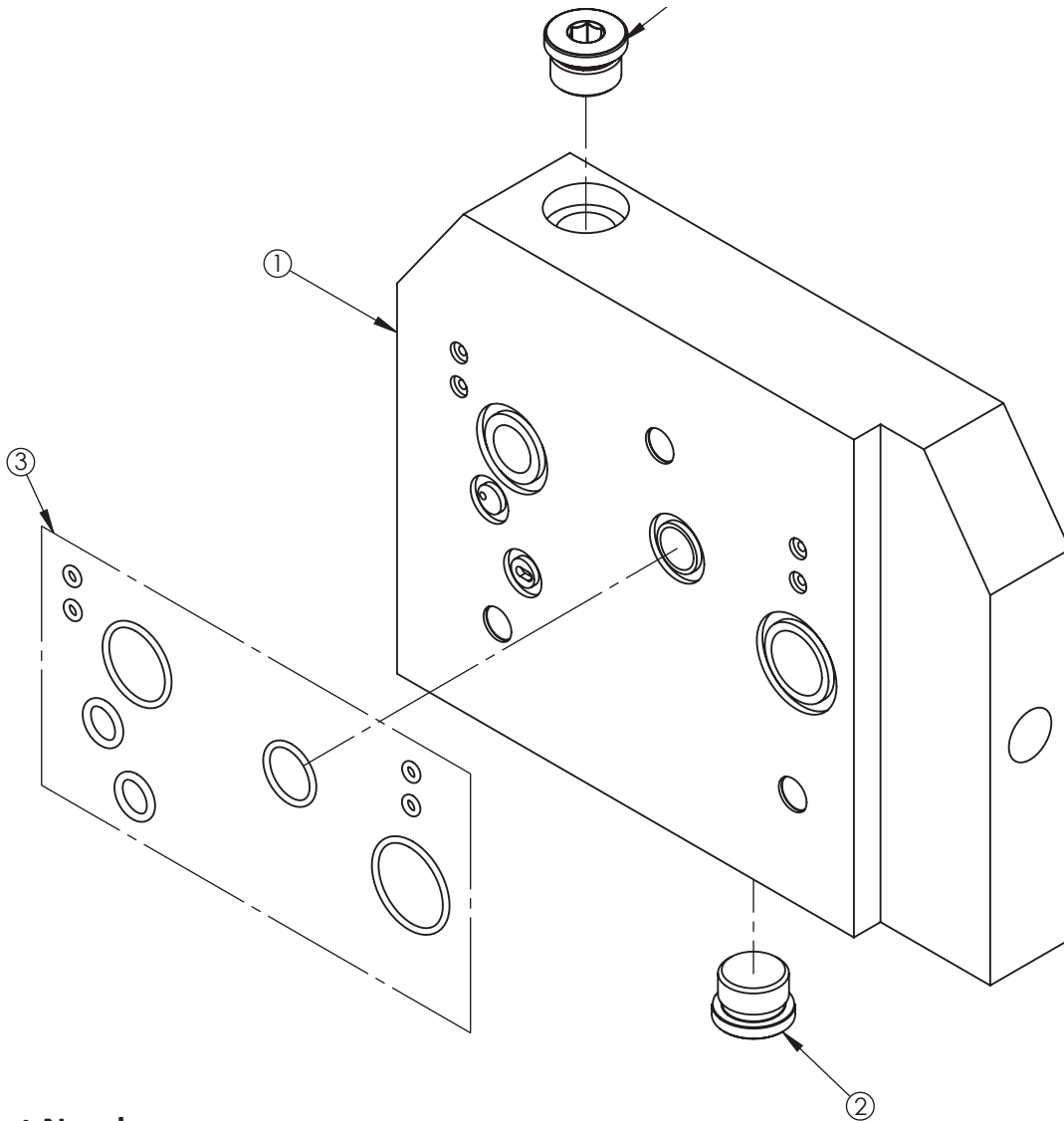
Item	Description	P/N	Qty.
1	-16 SAE steel plug	HHBP16Z	1
2	Steel blanking plug	25T64849	1
<b>Control Notes</b>			
Item 1	Torque to 80 lb.ft. (108 Nm)		
Item 2	Torque to 59 lb.ft. (80 Nm)		





# Transition Plate

L275L125-B-XX-01



## Kit Part Number

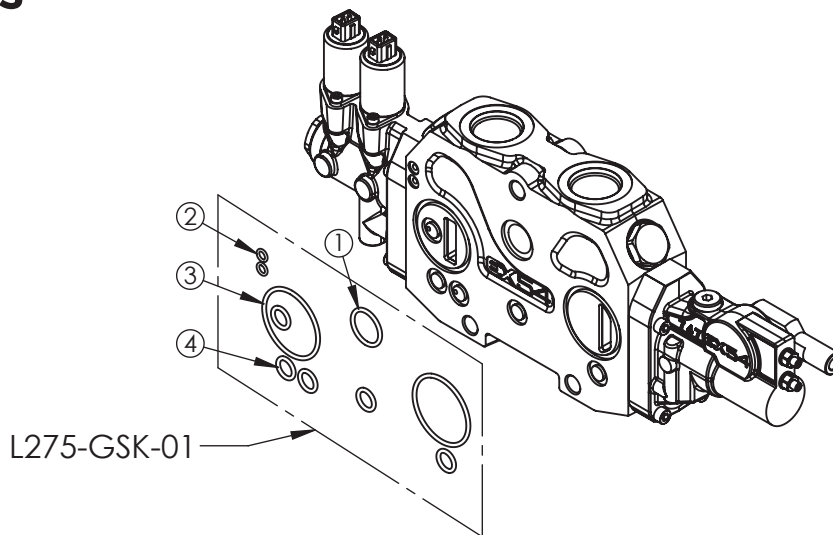
L275L125-B-XX-01

## Transition Plate from L275 to L125 Work Sections

Item	Description	P/N	Qty.
1	Transition plate casting	N/A	1
2	3/8" gas plug assembly	N/A	2
3	Transition plate seal kit (see page 17 for more information)	N/A	1
<b>Back-cap Notes</b>			
Item 2	Torque to 20 lb.ft. (37 Nm)		

# Seal Kits

L275-GSK-01



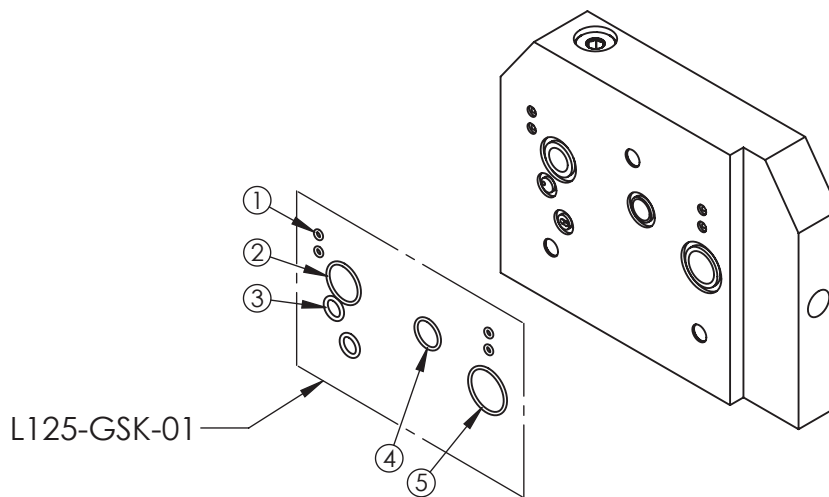
## Kit Part Number

**L275-GSK-01**

## Seal Kit for Inlets and Work Sections

Item	Description	P/N	Qty.
1	O-Ring, Viton, 70°Sh, 0.12" × 0.92" (2.95 × 23.47 mm)	12T36280	1
2	O-Ring, Viton, 90°Sh, 0.07" × 0.24" (1.78 × 6.07 mm)	N/A	2
3	O-Ring, Viton, 90°Sh, 0.10" × 1.92" (2.62 × 48.90 mm)	12T438082135	2
4	O-Ring, Viton, 70°Sh, 0.97" × 0.52" (2.20 × 13.11 mm)	N/A	5

L125-GSK-01



## Kit Part Number

**L125-GSK-01**

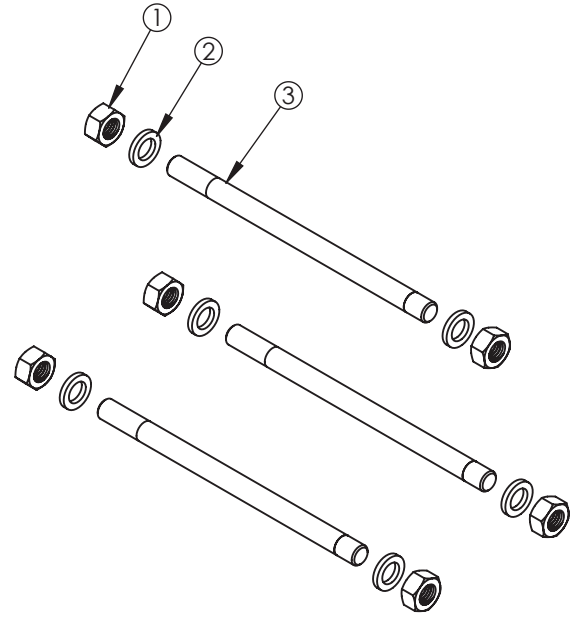
## Seal Kit for Transition Plate

Item	Description	P/N	Qty.
1	O-Ring, Viton, 90°Sh, 0.06" × 0.12" (1.60 × 3.10 mm)	12T64435	4
2	O-Ring, Viton, 90°Sh, 0.10" × 0.86" (2.62 × 21.89 mm)	12T64572	1
3	O-Ring, Viton, 70°Sh, 0.09" × 0.39" (2.20 × 10.00 mm)	12T64437	2
4	O-Ring, Viton, 70°Sh, 0.09" × 0.65" (2.21 × 16.63 mm)	12T64436	1
5	O-Ring, Viton, 70°Sh, 0.07" × 0.99" (2.62 × 25.07 mm)	12T35577	1

# Stud Kits

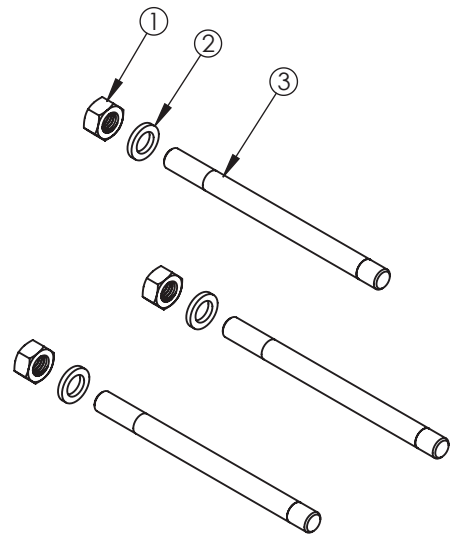
## Standard Studs/Tie Rod Kits

Item	Description	P/N	Qty.
1	Lock-nut, M12 (UNI 7473)	22T43851	6
2	Washer	21T43853	6
3	Tie Rod	N/A	3
KIT INFO			
Item	Description	KIT P/N	"L" IN (mm)
N/A	Stud kit for 1 w.s. assy	L275-T01	7.56 (192)
N/A	Stud kit for 2 w.s. assy	L275-T02	9.69 (246)
N/A	Stud kit for 3 w.s. assy	L275-T03	11.81 (300)
N/A	Stud kit for 4 w.s. assy	L275-T04	13.94 (354)
N/A	Stud kit for 5 w.s. assy	L275-T05	16.06 (408)
N/A	Stud kit for 6 w.s. assy	L275-T06	18.19 (462)
N/A	Stud kit for 7 w.s. assy	L275-T07	20.31 (516)
N/A	Stud kit for 8 w.s. assy	L275-T08	22.44 (570)
Stud Kit Notes			
Item 1&3	Torque to 44 ± 1 lb.ft. (60 ± 5 Nm)		



## Transition Plate Studs/Tie Rod Kits

Item	Description	P/N	Qty.
1	Lock-nut, M12 (UNI 7473)	22T43851	3
2	Washer	21T43853	3
3	Tie Rod	N/A	3
KIT INFO			
Item	Description	KIT P/N	"L" IN (mm)
N/A	Stud kit for 1 w.s. assy	L275-T01	6.26 (159)
N/A	Stud kit for 2 w.s. assy	L275-T02	7.44 (189)
N/A	Stud kit for 3 w.s. assy	L275-T03	10.71 (272)
Stud Kit Notes			
Item 1&3	Torque to 44 ± 1 lb.ft. (60 ± 5 Nm)		





*A Member of the Interpump Group*

SP19-05 (Rev. 02-22)

201 East Jackson Street, Muncie, Indiana 47305  
800-367-7867 • Fax: 765-284-6991 • [info@munciepower.com](mailto:info@munciepower.com)

Specifications are subject to change without notice. Visit [www.munciepower.com](http://www.munciepower.com)  
for warranties and literature. All rights reserved. © Muncie Power Products, Inc. (2019)