

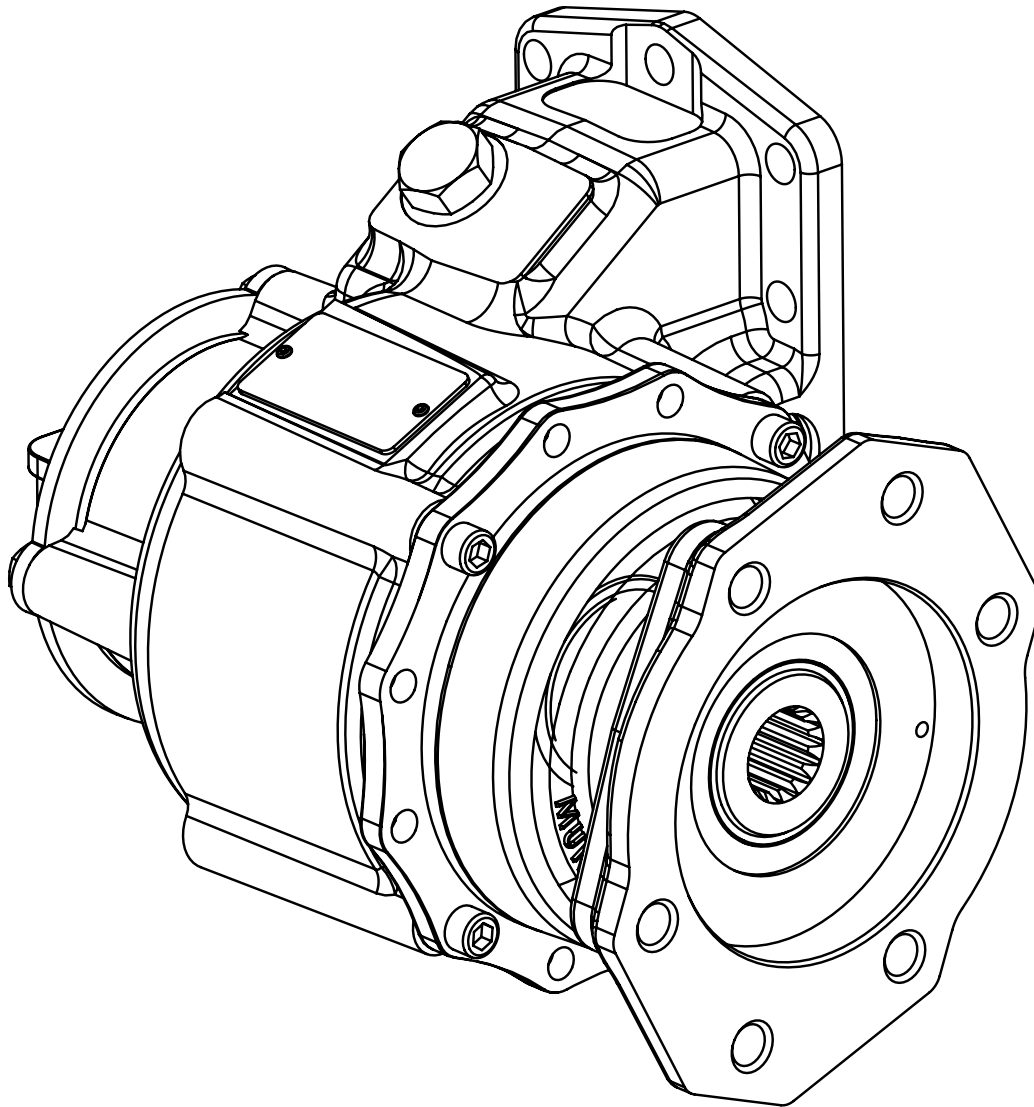


Muncie[®]
Power
Products

TITAN[®] MD1 SERIES

POWER TAKE-OFF

PARTS LIST AND SERVICE MANUAL



MODEL NUMBER CONSTRUCTION

MD1 - A10 07 - MX 3 BB PX

Model:

MD1 – Medium Duty Constant Drive 10-Bolt

Transmission Gear:

A10 – Allison 3000/4000 Series

Internal Gear Ratio:

- 05 – .54:1 Output Speed
- 06 – .63:1
- 07 – .73:1
- 08 – .84:1
- 09 – .90:1
- 10 – .97:1
- 11 – 1.10:1
- 12 – 1.19:1
- 15 – 1.48:1

Shift Type:

MX – Constant Mesh

Assembly Arrangement:

- 1 – Right Side Shaft Low
- 3 – Left Side Shaft Low
- 5 – Top/No Offset (Straight Out From Opening)

Output Type (*Wet Spline):

- 1X – 1¼" Round Shaft
- 2I – DIN 5462 Euro
- AA – SAE "A" 5/8" 9T, 2-Bolt SAE-"A"
- B6* – SAE "B" 7/8" 13T, 2-Bolt SAE-"B" Special
- BA* – SAE "B" 7/8" 13T, 2-Bolt SAE-"A"
- BB* – SAE "B" 7/8" 13T, 2- & 4-Bolt SAE-"B"
- BS* – SAE "B" 7/8" 13T, 2-Bolt SAE-"B"
- CB* – SAE "C" 1¼" 14T, SAE-"B"
- CC* – SAE "C" 1¼" 14T, 2- & 4-Bolt SAE-"C"
- II* – DIN 5462
- PS* – SAE "BB" 1" 15T 2-Bolt SAE-"B" Special
- PB* – SAE "BB" 1" 15T 2- & 4-Bolt SAE-"B"
- TA – SAE ¾" 11T, 2-Bolt SAE-"A"
- X2 – 1½" 10T, DIN Companion
- X4 – 1½" 10T Male, 1410 Companion
- XX – 1½" 10T Male, No Flange
- ZB – SAE "C" 1.25"-14T, 2- & 4-Bolt SAE "B"

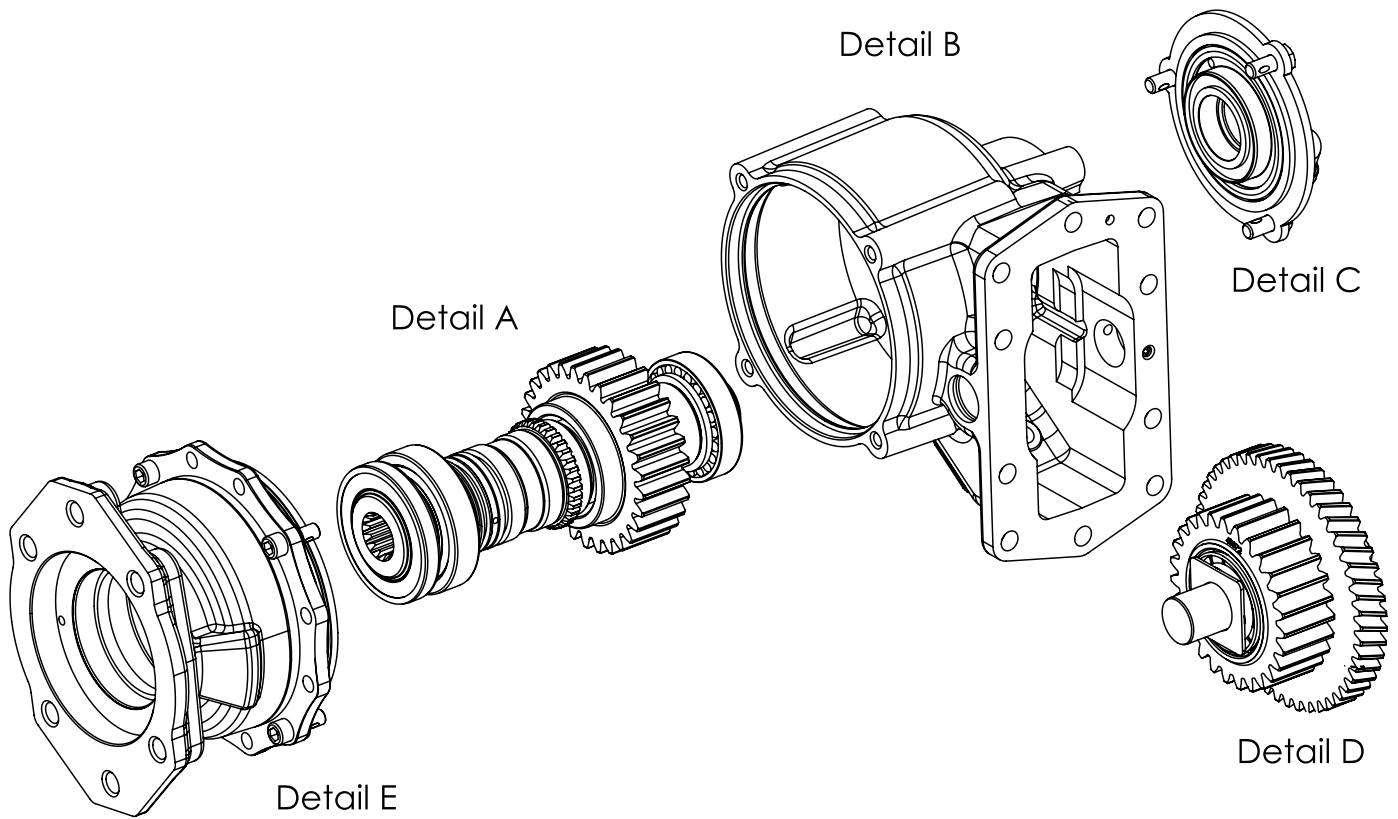
Special Features:

- PX – Standard Hose Kit
- PW – Wet Spline w/Standard Hose Kit
- BX – Top Opening Output Cover & Hose Kit
- BW – Top Opening Wet Spline Output Cover & Hose Kit
- UX – Pulse Generator & Standard Hose Kit
- UB – Top Opening Output Cover & Hose Kit w/Pulse Generator
- XX – Hose Delete Kit

NOTE:

*Wet Spline Option Available

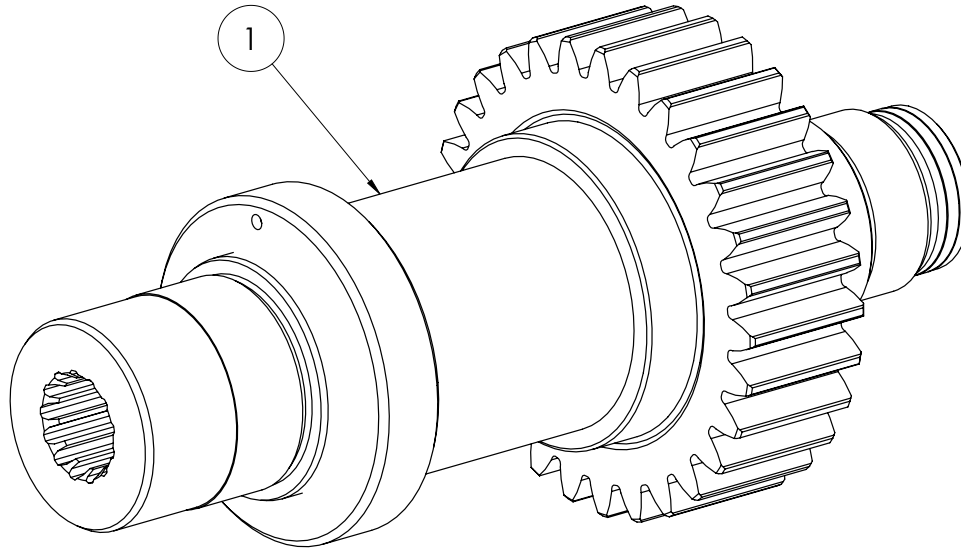
MD1 EXPLODED VIEW



Other MD1 Literature

Number	Description
IN17-04	Operator's Manual
IN17-15	Activation Instructions
IN18-07	Installation Instructions
IN19-03	Rebuild Instructions

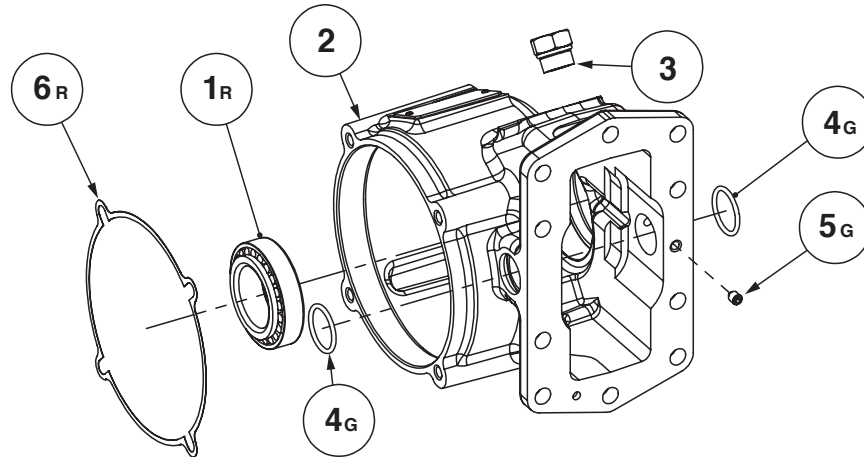
Detail A - Output Shaft Assembly



ITEM	QTY	PART NO.	DESCRIPTION
1	1	06TA6272	Output Shaft Assembly
		06TA6273	
		06TA6274	
		06TA6275	
		06TA6276	
		06TA6277	
		06TA6278	
		06TA6279	
		06TA6280	
		06TA6281	
		06TA6282	
		06TA6283	
		06TA6284	
		06TA6285	
		06TA6296	
		06TA6397	
		06TA6398	
		06TA6399	
		06TA6400	
		06TA6401	
		06TA6402	
06TA6403			
06TA6404			
06TA6405			
06TA6406			
06TA6407			
06TA6408			
06TA6409			
06TA6410			
06TA6411			

ITEM	QTY	PART NO.	DESCRIPTION
1	1	06TA6412	Output Shaft Assembly
		06TA6413	
		06TA6414	
		06TA6415	
		06TA6416	
		06TA6417	
		06TA6418	
		06TA6419	
		06TA6420	
		06TA6421	
		06TA6422	
		06TA6423	
		06TA6424	
		06TA6425	
		06TA6426	
		06TA6427	
		06TA6428	
		06TA6429	
		06TA6430	
		06TA6431	
06TA6432			
06TA6433			
06TA6434			
06TA6435			
06TA6436			
06TA6437			
06TA6438			
06TA6439			
06TA6440			

Detail B - Housing Assembly

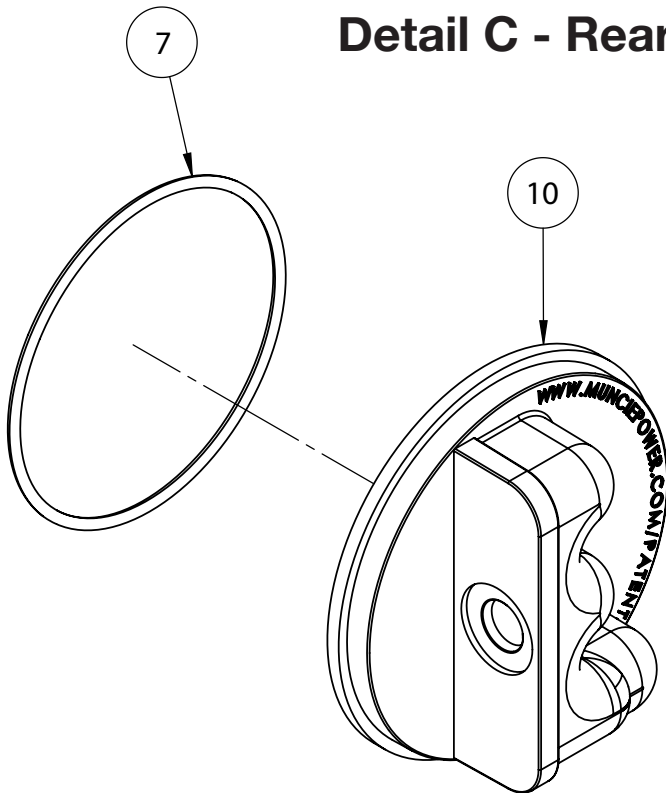


Shaft end play must be set between 0.001" - 0.005"

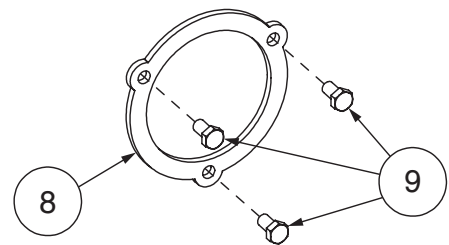
ITEM	QTY	PART NO.	DESCRIPTION
1	1	10T43098	Tapered Roller Bearing
2	1	01T43462	Housing – 1 arrangement
		01T43433	Housing – 3 arrangement
		01T43513	Housing – 5 arrangement
3	1	24T35999	Plug
4	2	12T39023	O-Ring
5	1	19T36082	Set Screw

ITEM	QTY	PART NO.	DESCRIPTION
6	1	18TK6341 (Shim Kit includes listed shims)	Shim; .003" (Green)
			Shim; .005" (Blue)
			Shim; .010" (Brown)
			Shim; .015" (Pink)
			Shim; .020" (Yellow)
			Shim; .025" (White)
			Shim; .030" (Orange)

Detail C - Rear Cover Assembly

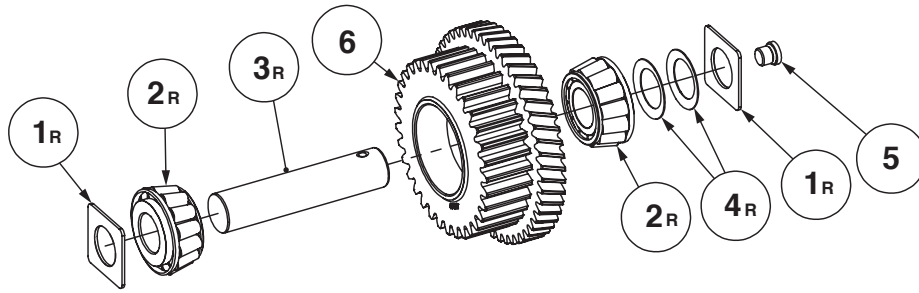


ITEM	QTY	PART NO.	DESCRIPTION
7	1	49T43434	Valve Body Lock Ring
8	1	49T43434	Valve Body Lock Ring
9	3	19T33134	Cap Screw
10	1	15T61745	Remote Mt. Sol. Cover



* Items marked with G or R are components included in Gasket or Rebuild kits. See page 8 for more details.

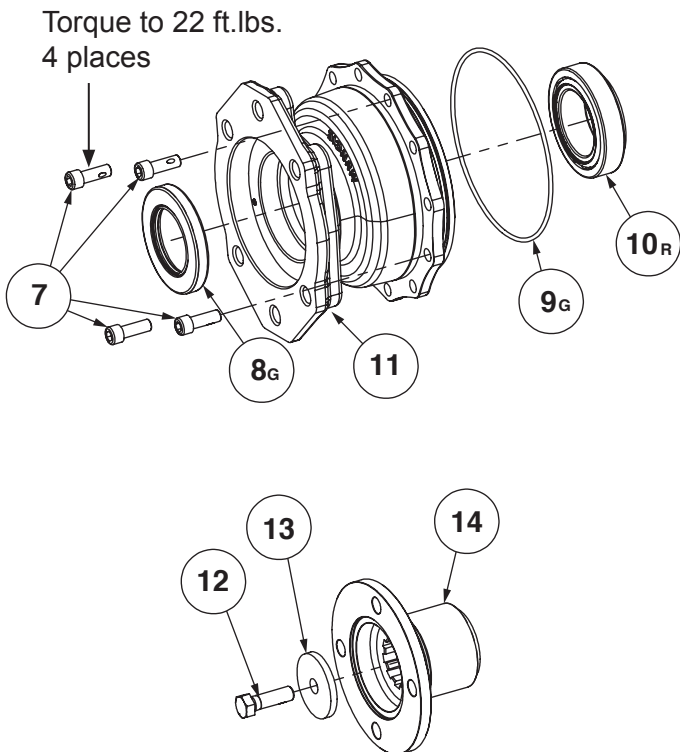
Detail D - Input Gear Assembly



ITEM	QTY	PART NO.	DESCRIPTION
1	2	18T42642	Square Washer
2	2	10T43096	Input Bearing (07-15 Ratios)
		10T43287	Input Bearing (05/06 Ratios)
3	1	07T43110	Idler Shaft
4	2	27T43291	Belleville Washer
5	1	25T41643	Plug

ITEM	QTY	PART NO.	DESCRIPTION
6	1	03T43085	Input Gear 05 Ratio 20T/50T
		03T43084	Input Gear 06 Ratio 22T/50T
		03T43083	Input Gear 07 Ratio 24T/50T
		03T43082	Input Gear 08 Ratio 26T/50T
		03T43081	Input Gear 09 Ratio 27T/50T
		03T43080	Input Gear 10 Ratio 28T/50T
		03T43086	Input Gear 11 Ratio 31T/50T
		03T43087	Input Gear 12 Ratio 31T/50T
		03T43077	Input Gear 15 Ratio 34T/50T

Detail E - Output Cover Assembly



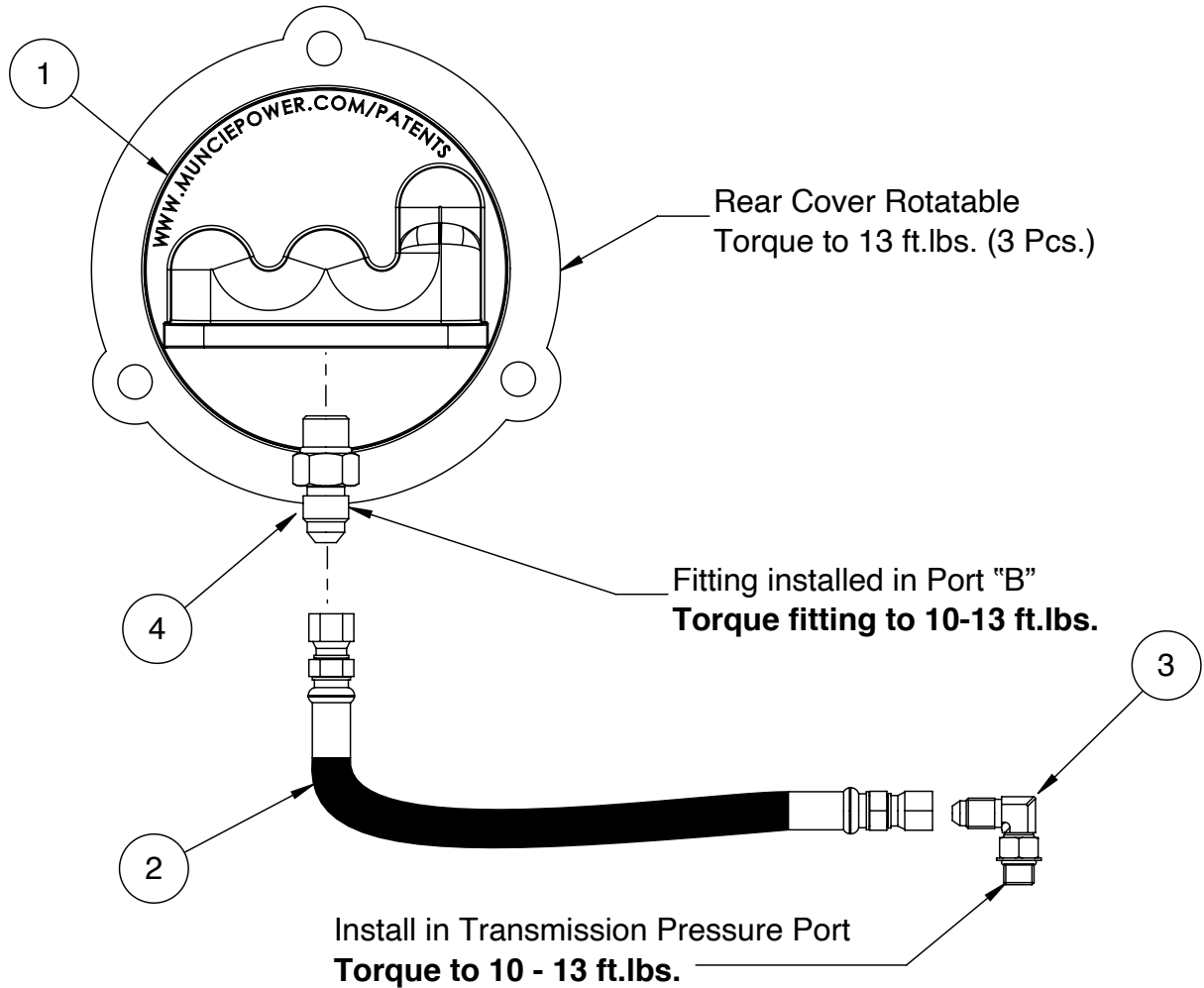
ITEM	QTY	PART NO.	DESCRIPTION
7	4	19T36588	Cap Screw
8	1	11T64141	Shaft Seal
9	1	12T34003	O-Ring
10	1	10T43097	Output Bearing
11	1	15TA6359	"A" Output Assembly
		15TA6360	"B", "P", Output Flange (Wetspline version 15TA6379)
		15TA6361	"S", Output Flange (Wetspline version 15TA6380)
		15TA6362	"6", "7", Output Flange
		15TA6363	"C", Output Flange (Wetspline version 15TA6381)
		15TA6378	"I", Output Flange
		15TA6365	"4", "2", "X" Output Flange
		15TA6366	"A" Output Flange MD1-A10**-**5*AB* ONLY
		15TA6369	"S" Output Flange MD1-A10**-**5*SB* ONLY (Wetspline 15TA6382)
		15TA6372	"B", "P" Output Flange MD1-A10**-**5*BB* ONLY (Wetspline 15TA6383)
15TA6375	"C" Output Flange MD1-A10**-**5*CB* ONLY		
12	1	19T38266	Cap Screw
13	1	21T20092	Flat Washer
14	1	14T31499	1410 Companion Flange (Muncie "4")
		14T37498	DIN 120 Companion Flange (Muncie "2")

MD1 Activation Kits

Activation Plumbing Components Included in All Installation Kits

Remote Solenoid Activation Kit (Muncie-Start Units)

PTO Rear Cover



43TK6458 – 28" Hose Kit

43TK6470 – 57" Hose Kit

ITEM	P/N	DESCRIPTION	QTY
1	15T64348	Rotatable Rear Cover	1
2	45T36274	28" Hose (Standard)	1
3	43M68014	Lube Fitting	1
4	43T36431	FA Adapter	1

ITEM	P/N	DESCRIPTION	QTY
1	15T64348	Rotatable Rear Cover	1
2	45T36273	57" Hose	1
3	43M68014	Lube Fitting	1
4	43T36431	FA Adapter	1

MD1 Rebuild Kits

MD1-RBK-05 For 05 & 06 ratio MD1 PTOs

Item	PART NO.	QTY	DESCRIPTION
1	12T43296	1	Snap Ring
6	27T62870	1	Spring
7	49T43127	7	Spacer Disc
8	49T43128	8	Friction Disc
11	21T43294	2	Thrust Washer
13	10T43603	1	Needle Bearing
14	12T43295	1	Snap Ring
16	10T43098	1	Tapered Bearing
21	18TK6341	1	Shim Kit
30	15T62484	2	Square Washer
31	10T43287	2	Input Bearing
33	27T43291	2	Belleville Washer
38	10T43097	1	Output Bearing
-	MD1-GSK	1	MD1 Gasket Kit

MD1-RBK-07 For 07 -15 ratio MD1 PTOs

Item	PART NO.	QTY	DESCRIPTION
1	12T43296	1	Snap Ring
6	27T62870	1	Spring
7	49T43127	7	Spacer Disc
8	49T43128	8	Friction Disc
11	21T43294	2	Thrust Washer
13	10T43603	1	Needle Bearing
14	12T43295	1	Snap Ring
16	10T43098	1	Tapered Bearing
21	18TK6341	1	Shim Kit
30	15T62484	2	Square Washer
31	10T43096	2	Input Bearing
33	27T43291	2	Belleville Washer
38	10T43097	1	Output Bearing
-	MD1-GSK	1	MD1 Gasket Kit

MD1-GSK – MD1 Gasket Kit

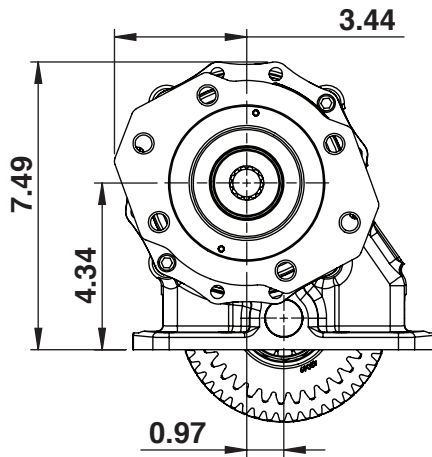
Item	PART NO.	QTY	DESCRIPTION
2	12T36472	1	O-Ring
5	12T36869	2	O-Ring
15	12T42978	1	Ring Seal
19	12T39023	2	O-Ring
22	12T36701	1	O-Ring
36	11T64141	1	Shaft Seal
37	12T34003	1	O-Ring

20TK6353 – Stud Kit

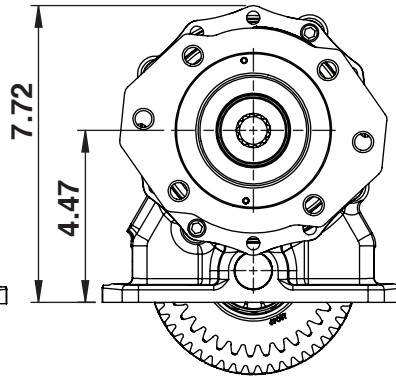
PART NO.	QTY	DESCRIPTION
MC18-03	1	Instruction
19T64314	8	Cap Screw
30T62753	2	Alignment Stud
21T64303	8	Flat Washers

Dimensions

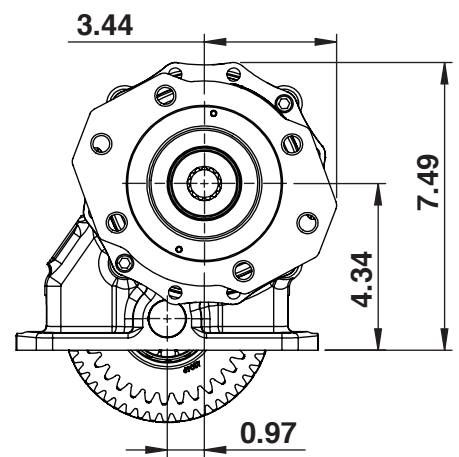
3 Arrangement



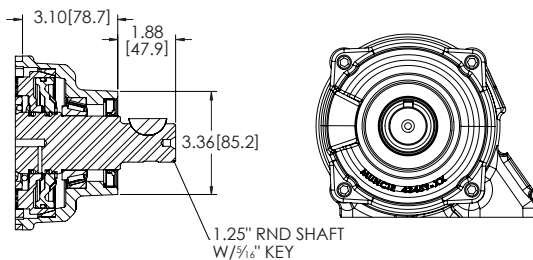
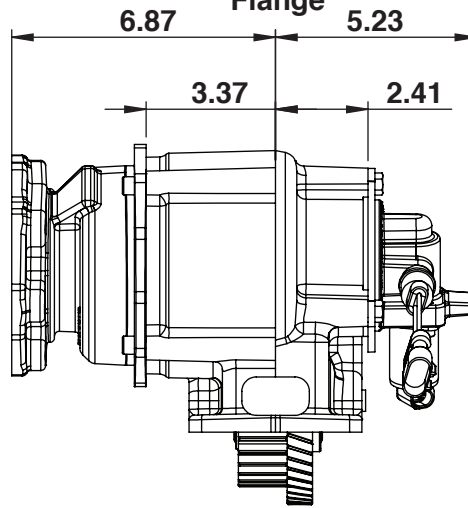
5 Arrangement



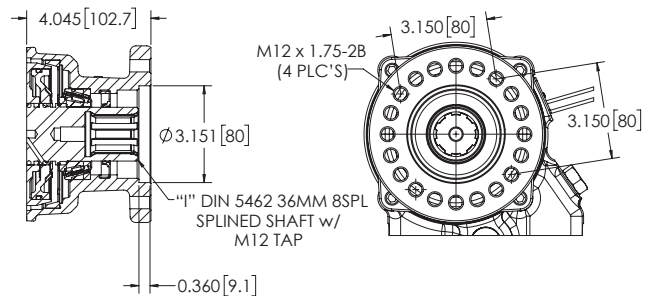
1 Arrangement



⌀ Mounting Flange

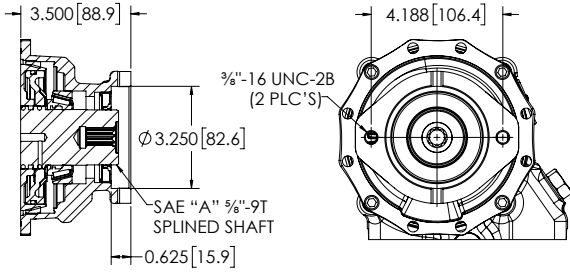


"1X" OUTPUT - 1/4" ROUND KEYED SHAFT

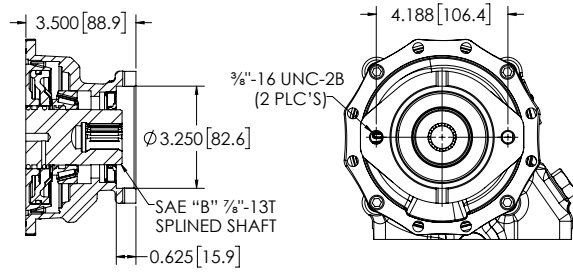


"2I" OUTPUT - DIN 5462 EURO WITH M12 TAP

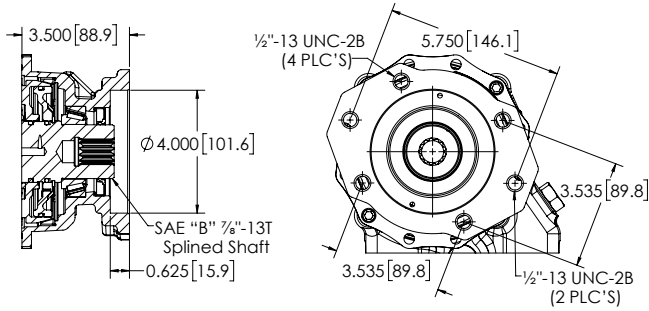
Dimensions



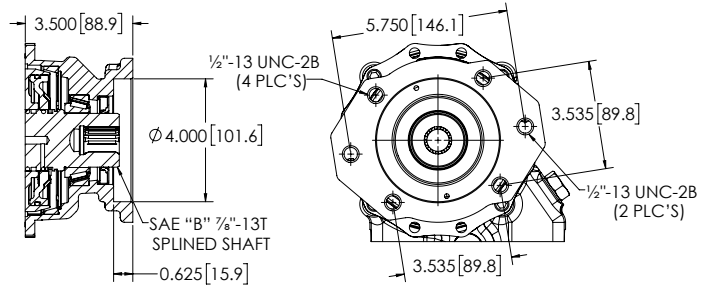
"AA" OUTPUT - SAE "A" $\frac{5}{8}$ " 9T SHAFT, 2-BOLT SAE-"A"



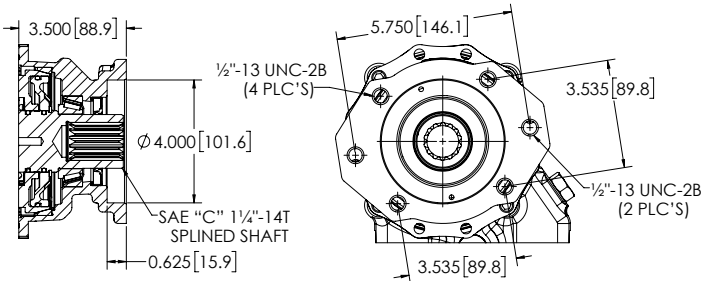
"BA" OUTPUT - SAE "B" $\frac{7}{8}$ " 13T, 2-BOLT FLANGE SAE-"A"



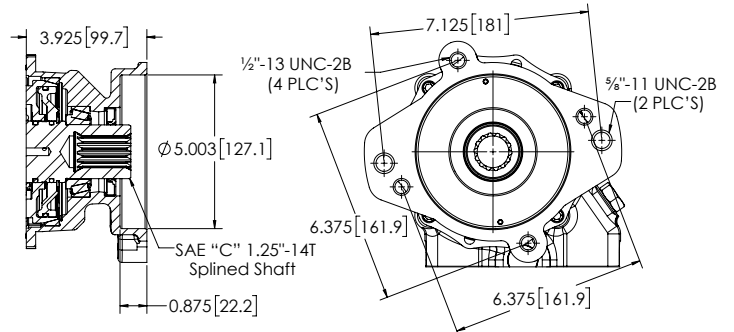
"BB" OUTPUT - SAE "B" $\frac{7}{8}$ " 13T, 2- & 4-BOLT SAE-"B"



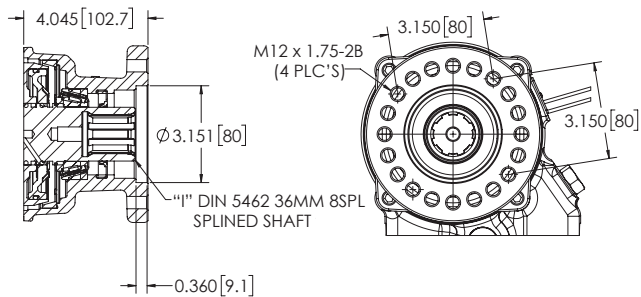
"BS" OUTPUT - SAE "B" $\frac{7}{8}$ "-13T SHAFT
SAE "B" 2-BOLT



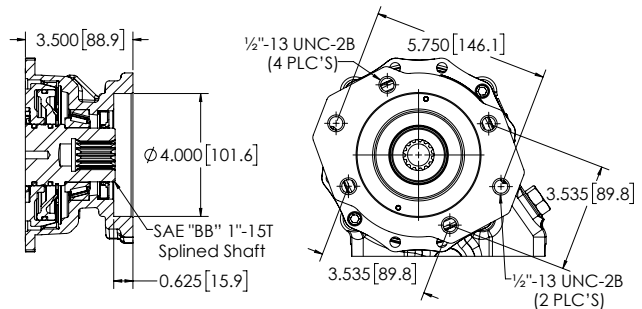
"CB" OUTPUT - SAE "C" $1\frac{1}{4}$ "-14T, SAE "B"
NOTE: Only used with extended shaft.



"CC" OUTPUT - SAE "C" $1\frac{1}{4}$ "-14T, 2- & 4-BOLT SAE "C"

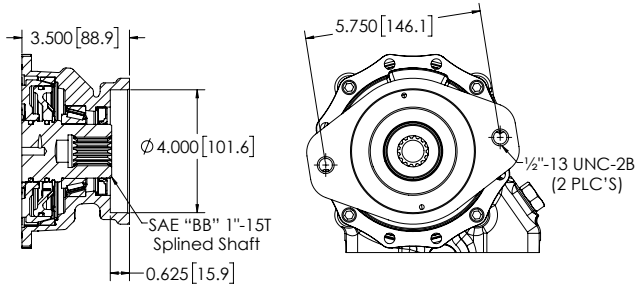


"II" OUTPUT - DIN 5462

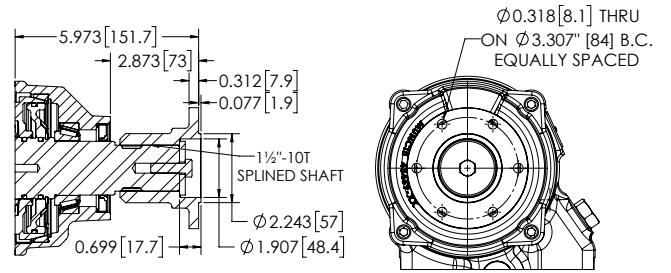


"PB" OUTPUT - SAE "BB" 1"-15T, 2- & 4-BOLT SAE "B"

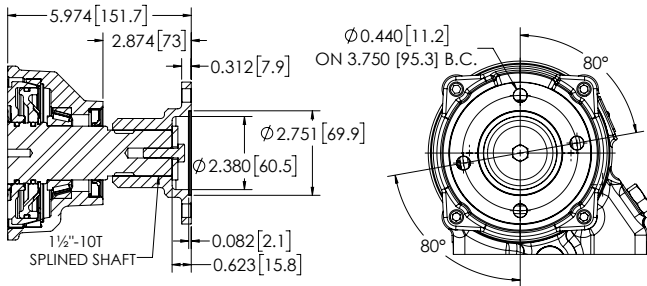
Dimensions



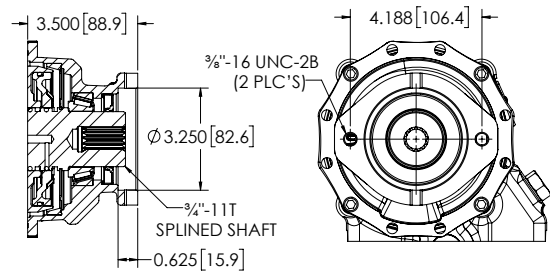
"PS" OUTPUT - SAE "BB" 1" 15T, 2-BOLT SAE-"B"



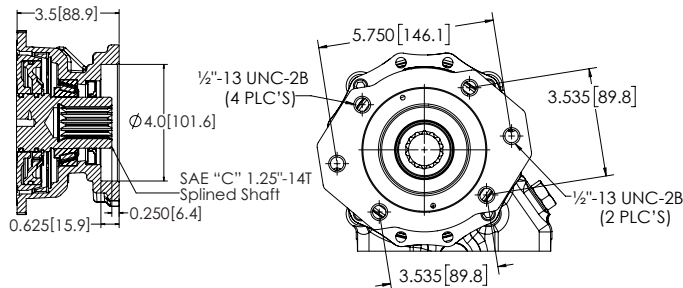
"X2" OUTPUT - 1 1/2" 10T, DIN Companion Flange



"X4" OUTPUT - 1 1/2" 10T, 1410 Companion



"TA" OUTPUT - SAE 3/4"-11T, 2-BOLT SAE "A"



"ZB" OUTPUT - SAE "C" 1.25"-14T, 2- & 4-BOLT SAE "B"



**Muncie[®]
Power
Products**

A Member of the Interpump Group

SP19-06 (Rev. 06-20)

201 East Jackson Street • Muncie, Indiana 47305
800-367-7867 • Fax 765-284-6991 • info@munciepower.com • www.munciepower.com

Specifications are subject to change without notice. Visit www.munciepower.com
for warranties and literature. All rights reserved. © Muncie Power Products, Inc. (2020)