

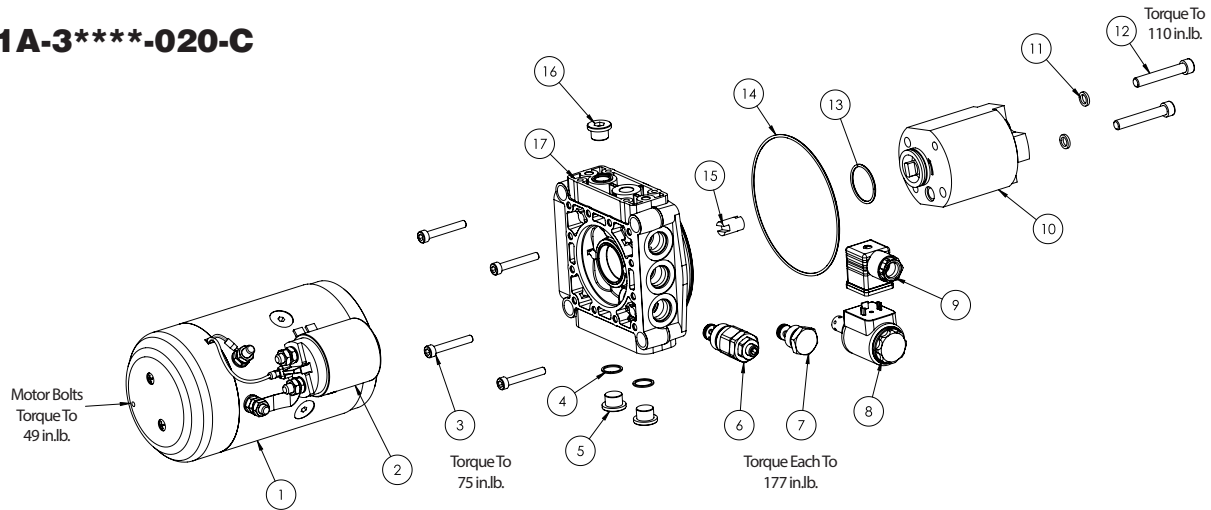


**Muncie®
Power
Products**

DC POWER PACK

SERVICE PARTS

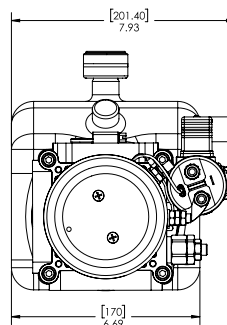
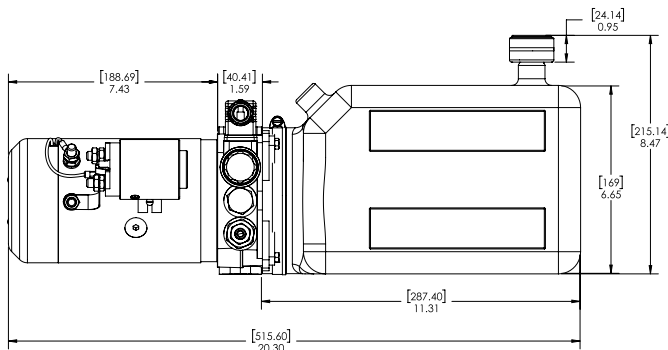
LP1A-3**-020-C**



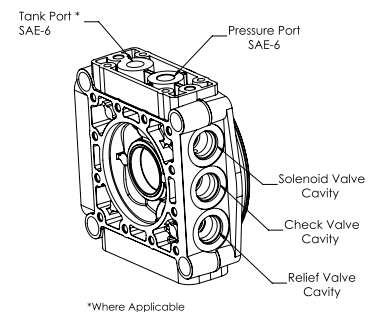
ITEM	PART NUMBER	DESCRIPTION	QTY
1	56250A160L0G	12 V DC Motor w/200A Relay	1
2	56252120801G	200A Relay	1
3	71D15106040B	M6x40 Bolt	4
4	71K12113000T	¼" BSPP Copper Washer	2
5	090T80IEA014	¼" BSPP Plug	2
6	56203P31900V	Relief Valve	1
7	562571L3005E	Check Valve	1
8	562611L40A0A	DIN Cartridge Valve 2P2W	1
9	78C00100500AA	DIN Connector	
10	13B1W2D2ABBC	Pump 03 (0.061 cu.in.)	1
	13B1W2D2BBBC	Pump 04 (0.076 cu.in.)	
	13B1W2D2CBBC	Pump 05 (0.097 cu.in.)	
	13B1W2D2EBBC	Pump 06 (0.122 cu.in.)	
	13B1W2D2GBBC	Pump 07 (0.152 cu.in.)	
	13B1W2D2JBBC	Pump 08 (0.192 cu.in.)	

ITEM	PART NUMBER	DESCRIPTION	QTY
11	71F39008000B	M8 Lock Washer	2
12	71D15108085B	M8 x 85 Bolt (Pump 03/04)	2
	71D15108090B	M8 x 90 Bolt (Pump 05/06)	
	71D15108095B	M8 x 95 Bolt (Pump 07/08)	
13	733B26202665	Pump Pilot O-Ring	1
14	733B35311390	O-Ring	1
15	563422B20EET	Motor Connector Shaft	1
16	HHBP-6Z	⅝ - 18 UNF Plug	1
17	5620121031BT	Central Manifold	1

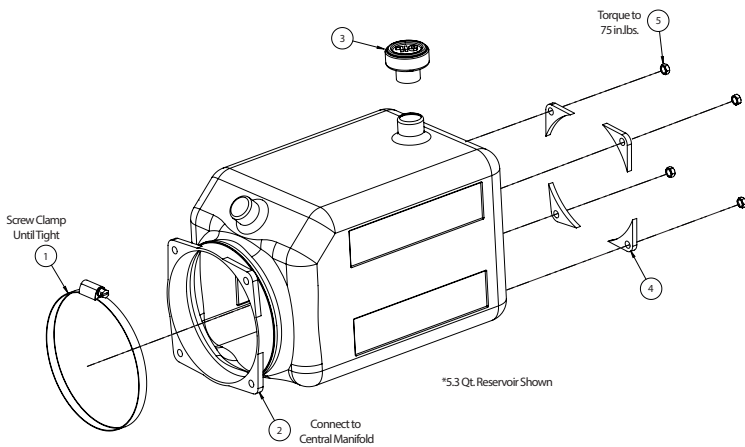
Dimensions IN Inches (mm)



Central Manifold Details

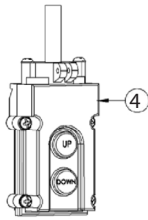


Reservoir Assembly

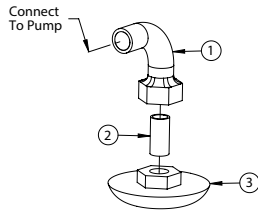


ITEM	PART NUMBER	DESCRIPTION	QTY
1	71P03197127B	Worm Drive Clamp	1
	56220201B00E	1.6 Qt. Poly Horizontal – F	1
	56220201B02E*	1.6 Qt. Poly Vertical – F	
	56220301B00E*	3.2 Qt. Poly Horizontal – H	
	56220301B02E*	2.3 Qt. Ploy Vertical – H	
	56220501B00E*	5.3 Qt. Poly Horizontal – J (Standard)	
	56220501B02E*	5.3 Qt. Poly Vertical – J	
	56220701B00E*	8.5 Qt. Poly Horizontal – K	
2	56220701B02E*	8.5 Qt. Poly Vertical – K	
	56220301B04E*	8.5 Qt. Poly Horizontal – K (Center Port)	
	56221203A23Z*	2.1 Qt. Steel Horizontal – A	
	56221403A23Z*	4.2 Qt. Steel Horizontal – B	
	56221833A23Z*	8.4 Qt. Steel Horizontal – S	
	56221803B23Z*	8.4 Qt. Steel Horizontal – C	
	56221A03B23Z*	10.5 Qt. Steel Horizontal – D	
	56221A53B23Z*	10.5 Qt. Steel Horizontal – E	
	39G57B000C0C	Breather Cap (Res. Type F, H, J, K)	1
3	39G52E000C0C	Breather Cap (Res. Type C, D, E)	
	39G52D000C0C	Breather Cap (Res. Type A, B, S)	
4	2300PS05270Z	Poly Reservoir Mtg. Bracket	4
5	71E14106000B	M6 Nut	4

Electrical

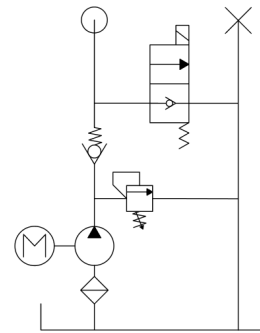


Suction Filter



ITEM	PART NUMBER	DESCRIPTION	QTY
1	74A01030000A	3/8" Elbow	1
2	74F31030000A	3/8" Nipple	1
3	56233D14H0CA	Suction Filter	1
4	150123019A0U	Corded Control (Standard)	1
	15012304001S	Corded Control (Weather Resistant)	

Hydraulic Schematic



DC POWER PACK MODEL NUMBER CONSTRUCTION

LP 1 A - 2 H P J 06 - 000 - A

DC Power Pack

Design Number

Motor 12 V DC

Function

- Pump/Motor Only – 0
- Pump/Motor/Reservoir/Enclosure – 1
- Use Mounting Position V
- Pump/Motor/Reservoir/
Manifold Mounting – 2
- Pad for Multiple Functions** – 3
- Pump/Motor/Reservoir/3-Way – 3
- Pump/Motor/Reservoir/4-Way – 4

Mounting Position

- Horizontal (Std.) – H
- Vertical (5.3 & 8.5 Qt. Poly Only) – V

Reservoir Type

- Steel – S
- Polyethylene (Std) – P
- None – X

*Usable reservoir capacity is 10% less than shown. Please note that 4 Qt. = 1 Gallon (3.78 L.)

** Mounting plates and valves are sold separately, unless included in the assembly code.

Operator Control Device

- A – No Controls
- C – Corded Electronic Control
- M – Manual Control

Assembly Code

000 – Number Increments for Variations

Pump Size

- 03 – 1.00 cc/0.061 cu.in.
- 04 – 1.25 cc/0.076 cu.in.
- 05 – 1.60 cc/0.097 cu.in.
- 06 – 2.00 cc/0.122 cu.in. (Std)
- 07 – 2.50 cc/0.152 cu.in.
- 08 – 3.15 cc/0.192 cu.in.

Reservoir Size

- X – None
- | | |
|-----------------------|-----------------------------|
| Steel | Polyethylene |
| A – 2.1 Qt. (2.0 L) | F – 1.6 Qt. (1.5 L.) |
| B – 4.2 Qt. (4.0 L) | H – 3.2 Qt. (3.0 L.) |
| C – 8.4 Qt. (8.0 L) | J – 5.3 Qt. (5.0 L.) |
| D – 10.5 Qt. (10.0 L) | K – 8.5 Qt. (8.0 L.) |
| E – 15.8 Qt. (15.0 L) | L – 10.5 Qt. with Enclosure |
| S – 8.4 Qt. (8.0 L) | (Function Type 1 Only) |



**Muncie®
Power
Products**

A Member of the Interpump Group

SP19-08 (Rev. 01-20)

201 East Jackson Street • Muncie, Indiana 47305
800-367-7867 • Fax 765-284-6991 • info@munciepower.com • www.munciepower.com

Specifications are subject to change without notice. Visit www.munciepower.com for warranties and literature. All rights reserved. © Muncie Power Products, Inc. (2020)