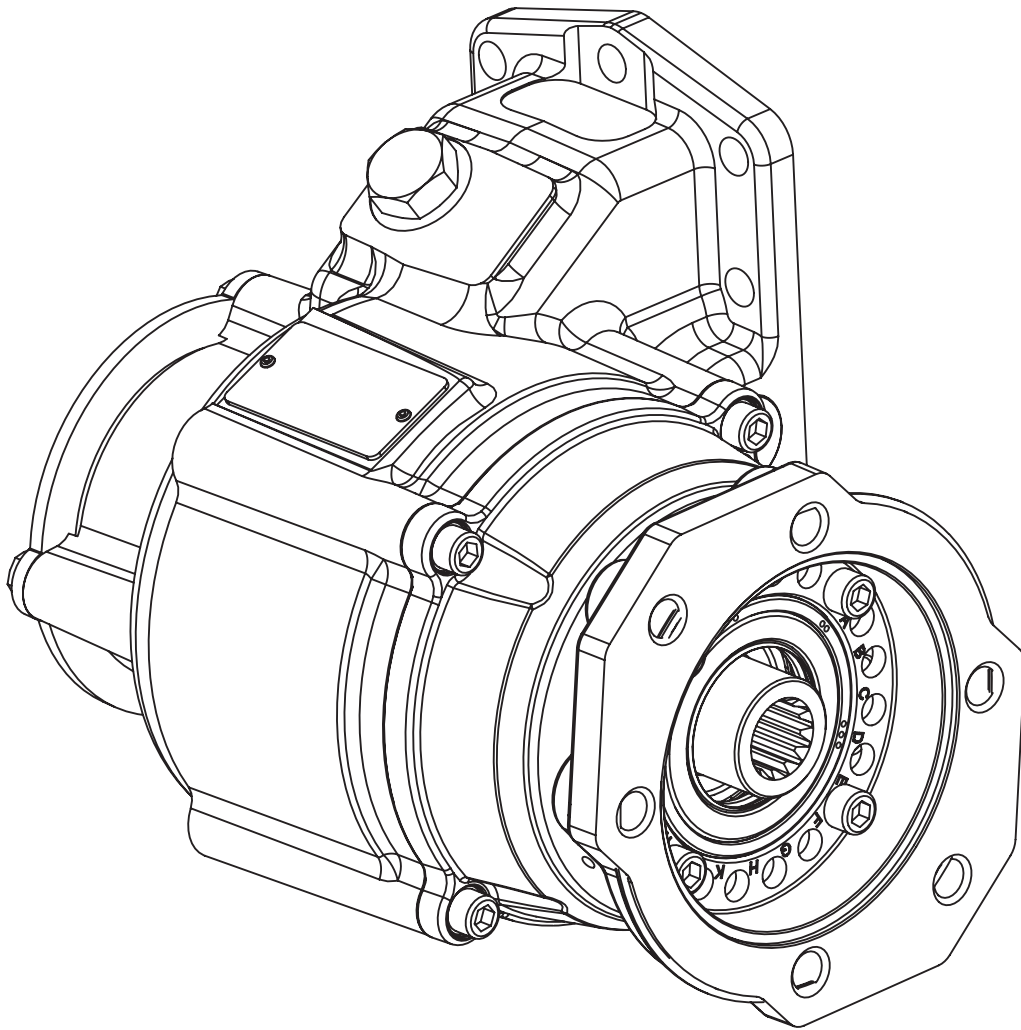




Muncie[®]
Power
Products

A30 SERIES POWER TAKE-OFF

PARTS LIST AND SERVICE MANUAL



Model Number Construction

A30 - A10 07 - MX 3 BB PX XX

Model

A30 — Medium Duty Constant Drive 10-Bolt

Transmission Input Gear Option

A10 — Allison 3000/4000 Series

Speed Ratios

- 05 — .54:1 Output Speed
- 06 — .63:1
- 07 — .73:1
- 08 — .84:1
- 09 — .90:1
- 10 — .97:1
- 11 — 1.10:1
- 12 — 1.19:1
- 15 — 1.48:1

Shift Option

MX — Constant Mesh

Assembly Arrangements

- 1 — Right Side Shaft Low
- 3 — Left Side Shaft Low
- 5 — No Offset (Straight Out From Opening)

Output Options (*Wet Spline)

- 1X — 1¼" Round Keyed Shaft
- AA — SAE "A" ⅝" -9, SAE "A" 2-Bolt
- BA* — SAE "B" ⅞" -13T, SAE "A" 2-Bolt
- BB* — SAE "B" ⅞" -13T, SAE "B" 2- & 4-Bolt
- BS* — SAE "B" ⅞" -13T, SAE "B" 2-Bolt
- CB* — XSMC Shaft Extension Mount***
- CC* — SAE "C" 1¼" -14T, SAE "C" 2- & 4-Bolt
- II* — DIN 5462
- PB* — SAE "BB" 1" -15,T SAE "B" 2- & 4-Bolt
- PS* — SAE "BB" 1" -15,T SAE "B" 2-Bolt
- TA — ¾"-11T, SAE "A" 2-Bolt
- X2 — 1½" -10T, DIN 100 Companion Flange
- X4 — 1½" -10T, Male, 1410 Companion Flange
- XX — 1½" -10T, Male, For Companion Flange
- ZB — SAE "C" 1¼" -14T, SAE "B" 2- & 4-Bolt

Special Feature Options

- PX — Standard Hose Kit
- PW — Wet Spline & Standard Hose Kit***
- BX — Top Opening Hose Kit
- BW — Top Opening Hose Kit Wet Spline
- US — Pulse Generator & SPD-2000
- UB — Pulse Generator & Top Opening Hose Kit
- UX — Pulse Generator & Standard Hose Kit
- XX — Delete Hose Kit

Flange Position Codes**

- A1-T3 — Custom flange Position
- XX — Flange Shipped Loose
- Blank — Default Position

Notes:

- * Wet Spline Option Available
- ** Special Flange Arrangement
Example: A1 or T3: for proper code selection adjust flange to the ideal position and note the letter that aligns centered with the marked dots.
- *** Use with Shaft Extension

A30 Flange Code Identification

The A30 PTO has a new 30 position, rotatable, output flange. In addition to Muncie Power's standard default flange positions, the flange may be ordered in a custom position to accommodate virtually any required pump orientation. These positions can be identified by a code that is shown on the output flange and PTO cover.

To identify what code is necessary, line up the letter on the flange with a set of dots on the PTO cover. The letter will be centered over the dots. The code will be a letter, followed by the number of dots. This code can then be added to the end of the A30 model code for future orders, and the PTO will ship with the flange in the same position. See the examples shown in Figures 1-3 for details. The flange may also be shipped loose by adding an XX to the end of the A30 PTO model code.

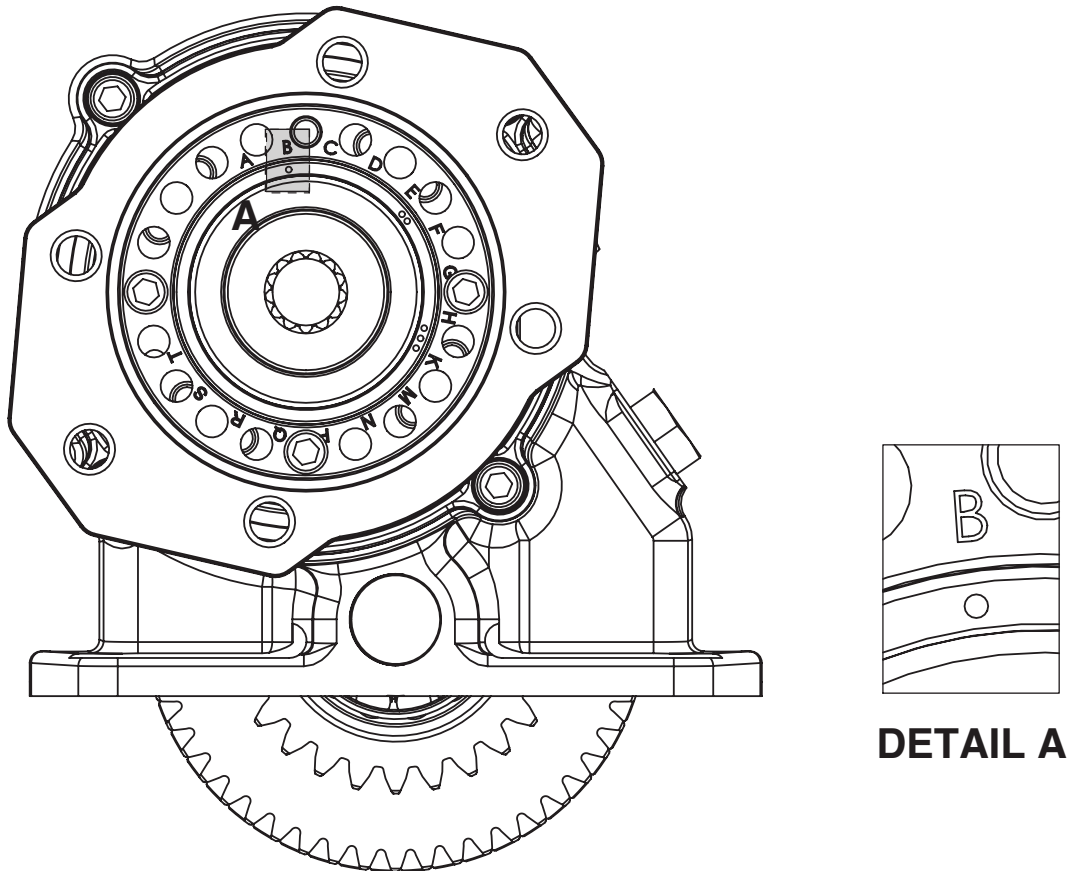


Figure 1: A30 Flange Orientation – A30-A10**-***-BB**-B1

A30 Flange Code Identification continued

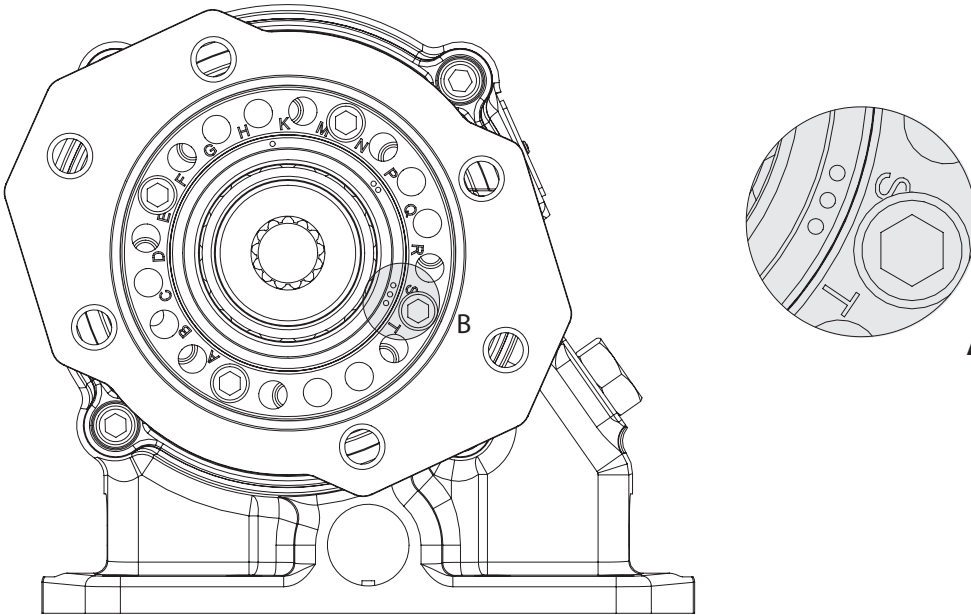


Figure 2: A30 Flange Orientation – A30-A10** -***-BB** -P2

A20/A30 Flange Configurations

LETTER	1	2	3
A	X		
B	X		
C	X		
D	X	X	
E	X	X	
F	X	X	
G	X	X	X
H	X	X	X
K	X	X	X
M	X	X	X
N		X	X
P		X	X
Q		X	X
R			X
S			X
T			X

X = Current valid A20/A30 flange positions

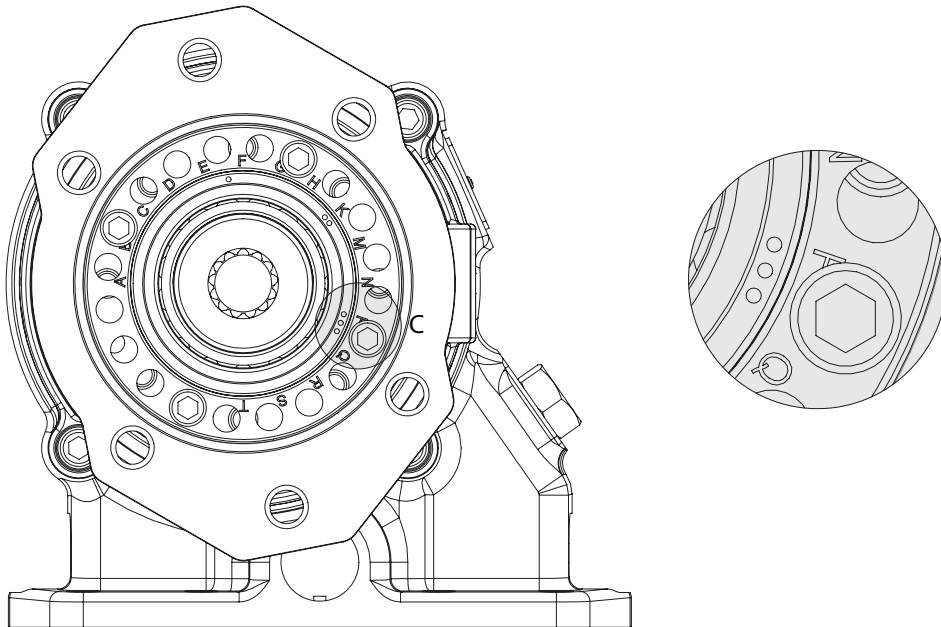
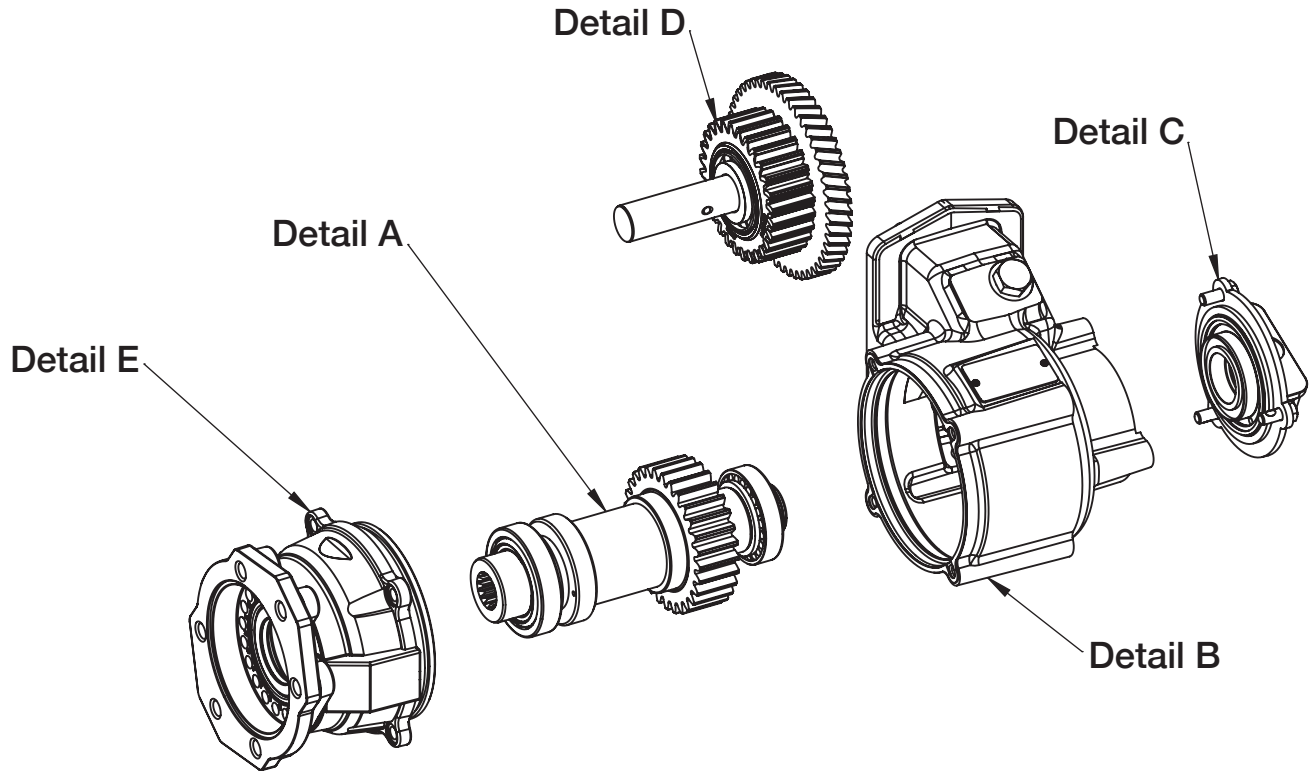


Figure 3: A30 Flange Orientation – A30-A10** -***-BB** -P3

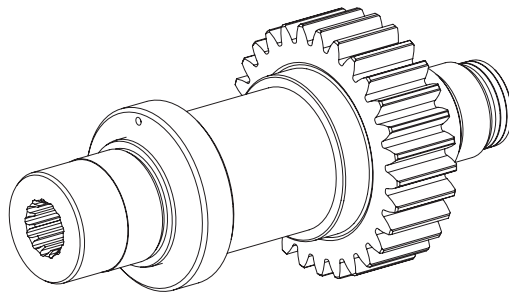
A30 EXPLODED VIEW



Other A30 Literature

NUMBER	DESCRIPTION
IN17-04	All PTO Operator's Manual ES
IN21-01	A20/A30 10-Bolt Installation Instructions ES
IN21-08	A20/A30/MC1 Shaft Installation Brackets ES
IN21-09	A30 10-Bolt Constant Drive Lube Kit Instructions
IN21-11	A30 Rebuild Instructions
MP21-02	A20/A30 Brochure
MP21-02S	A20/A30 Brochure SPA
MP21-03	A20/A30 EX Drive Brochure

Detail A - Output Shaft Assembly

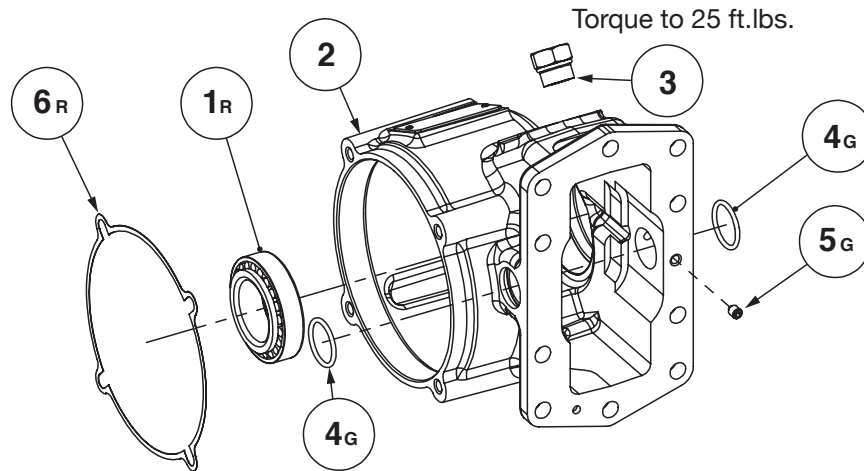


Requires ring seal - P/N 12T42978
Installs in groove in end of shaft

RATIO	SHAFT PART NO.	OUTPUT CODE
05	06TA6272	II
	06TA6273	TA
	06TA6274	X4, X2, XX
	06TA6275	BB, BS
	06TA6276	CC, CB
	06TA6277	1X
	06TA6278	PB
	06TA6531	ZB
	06TA6705	AA
06	06TA6279	II
	06TA6280	TA
	06TA6281	X4, X2, XX
	06TA6282	BB, BS
	06TA6283	CC, CB
	06TA6284	1X
	06TA6285	PB
	06TA6532	ZB
	06TA6706	AA
07	06TA6296	II
	06TA6397	TA
	06TA6398	X4, X2, XX
	06TA6399	BB, BS
	06TA6400	CC, CB
	06TA6401	1X
	06TA6402	PB
	06TA6533	ZB
	06TA6707	AA
08	06TA6403	II
	06TA6404	TA
	06TA6405	X4, X2, XX
	06TA6406	BB, BS
	06TA6407	CC, CB
	06TA6408	1X
	06TA6409	PB
	06TA6534	ZB
	06TA6708	AA
09	06TA6614	II
	06TA6615	TA
	06TA6616	X4, X2, XX
	06TA6617	BB, BS
	06TA6618	CC, CB
	06TA6619	1X
	06TA6620	PB
	06TA6621	ZB
	06TA6709	AA

RATIO	SHAFT PART NO.	OUTPUT CODE
10	06TA6410	II
	06TA6411	TA
	06TA6412	X4, X2, XX
	06TA6413	BB, BS
	06TA6414	CC, CB
	06TA6415	1X
	06TA6416	PB
	06TA6535	ZB
	06TA6710	AA
	11	06TA6622
06TA6623		TA
06TA6624		X4, X3, XX
06TA6625		BB, BS
06TA6626		CC, CB
06TA6627		1X
06TA6628		PB
06TA6629		ZB
06TA6711		AA
12		06TA6417
	06TA6418	TA
	06TA6419	X4, X2, XX
	06TA6420	BB, BS
	06TA6421	CC, CB
	06TA6422	1X
	06TA6423	PB
	06TA6536	ZB
	06TA6712	AA
	15	06TA6424
06TA6425		TA
06TA6426		X4, X2, XX
06TA6427		BB, BS
06TA6428		CC, CB
06TA6429		1X
06TA6430		PB
06TA6537		ZB
06TA6715		AA

Detail B - Housing Assembly

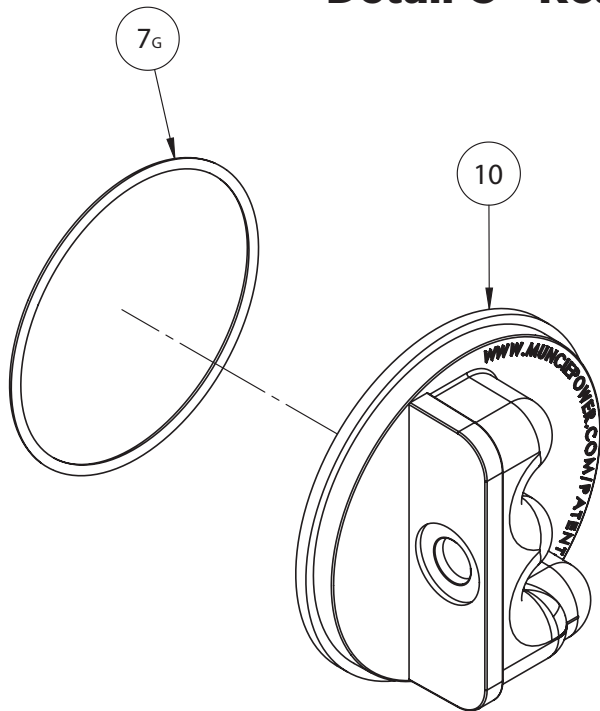


Shaft end play must be set between 0.001" - 0.005"

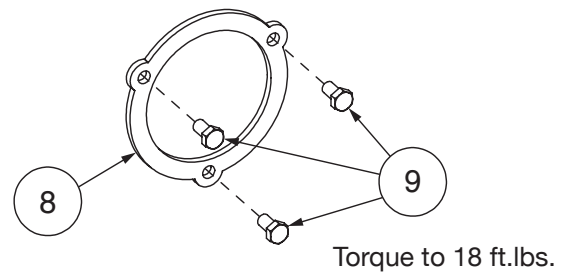
ITEM	QTY.	PART NO.	DESCRIPTION
1R*	1	10T43098	Tapered Roller Bearing
		01T43462	Housing – 1 Arrangement
2	1	01T43433	Housing – 3 Arrangement
		01T43513	Housing – 5 Arrangement
3	1	25T35999	Plug
4G*	2	12T39023	O-Ring
5G*	1	19T36082	Set Screw

ITEM	QTY.	PART NO.	DESCRIPTION
			Shim; .003" (Green)
			Shim; .005" (Blue)
			Shim; .010" (Brown)
			Shim; .015" (Pink)
			Shim; .020" (Yellow)
			Shim; .025" (White)
			Shim; .030" (Orange)

Detail C - Rear Cover Assembly



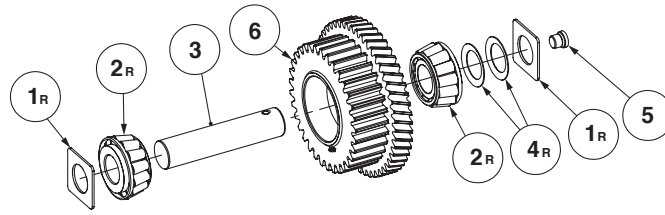
ITEM	QTY.	PART NO.	DESCRIPTION
7G*	1	12T36701	O-Ring
8	1	49T43434	Lock Ring
9	3	19T33134	Cap Screw
10	1	15T64348	Rear Cover



Note:

* Items marked with G or R are components included in Gasket or Rebuild kits. See pages 9 and 10 for more details.

Detail D - Input Gear Assembly



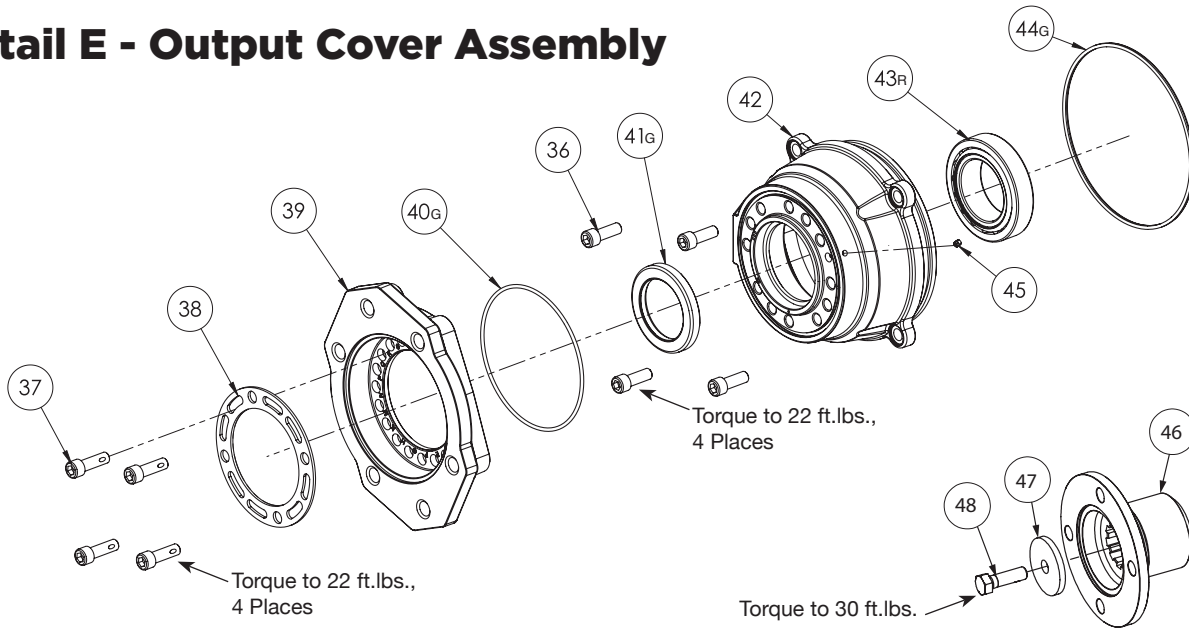
ITEM	QTY.	PART NO.	DESCRIPTION
1R*	2	18T42642	Square Washer
2R*	2	10T43096	Input Bearing (07-15 Ratios)
		10T43287	Input Bearing (05/06 Ratios)
3	1	07T43110	Idler Shaft
4R*	2	27T43291	Belleville Washer
5R*	1	25T41463	Plug
N.S.	1	13T35777	Allison 10-Bolt Gasket

ITEM	QTY.	PART NO.	DESCRIPTION
6	1	03T43085	Input Gear 05 Ratio 20T/50T
		03T43084	Input Gear 06 Ratio 22T/50T
		03T43083	Input Gear 07 Ratio 24T/50T
		03T43082	Input Gear 08 Ratio 26T/50T
		03T43081	Input Gear 09 Ratio 27T/50T
		03T43080	Input Gear 10 Ratio 28T/50T
		03T43088	Input Gear 11 Ratio 31T/50T
		03T43087	Input Gear 12 Ratio 31T/50T
		03T43077	Input Gear 15 Ratio 34T/50T

Note:

* Items marked with G or R are components included in Gasket or Rebuild kits.
See pages 9 and 10 for more details.

Detail E - Output Cover Assembly



ITEM	QTY.	PART NO.	DESCRIPTION
36	4	19T36588	Cap Screw
37	4	19T36588	Cap Screw (SAE Outputs)
		19M84478	DIN Outputs
38	1	58T65794	Flange Mounting Ring
39	1	14T65388T	SAE "B" 2- & 4-Bolt Output Flange
		14T65653T	SAE "A" 2-Bolt Output Flange
		14T65650T	SAE "B" 2-Bolt Output Flange
		14T65449T	SAE "C" 2- & 4-Bolt Output Flange
		14T65918	"I" Output Flange, DIN 5462
40G	1	12T43185	O-Ring

ITEM	QTY.	PART NO.	DESCRIPTION
41G	1	11T38247	Shaft Seal**
		11T64141	Shaft Seal (Used on "I", "1X", "X2", "X4" Outputs)
42	1	15T65391	Direct Mount Pump Cover
		15T43460	Companion Flange & Keyed Shaft Cover
43R	1	10T43097	Bearing
44G	1	12T34003	O-Ring
45	1	25T41375	Weep Hole Plug*
46	1	14T31499	1410 Companion Flange (Muncie "4")
		14T37498	DIN 100 Companion Flange (Muncie "2")
47	1	21T20092	Flat Washer
48	1	19T38266	Cap Screw

Notes:

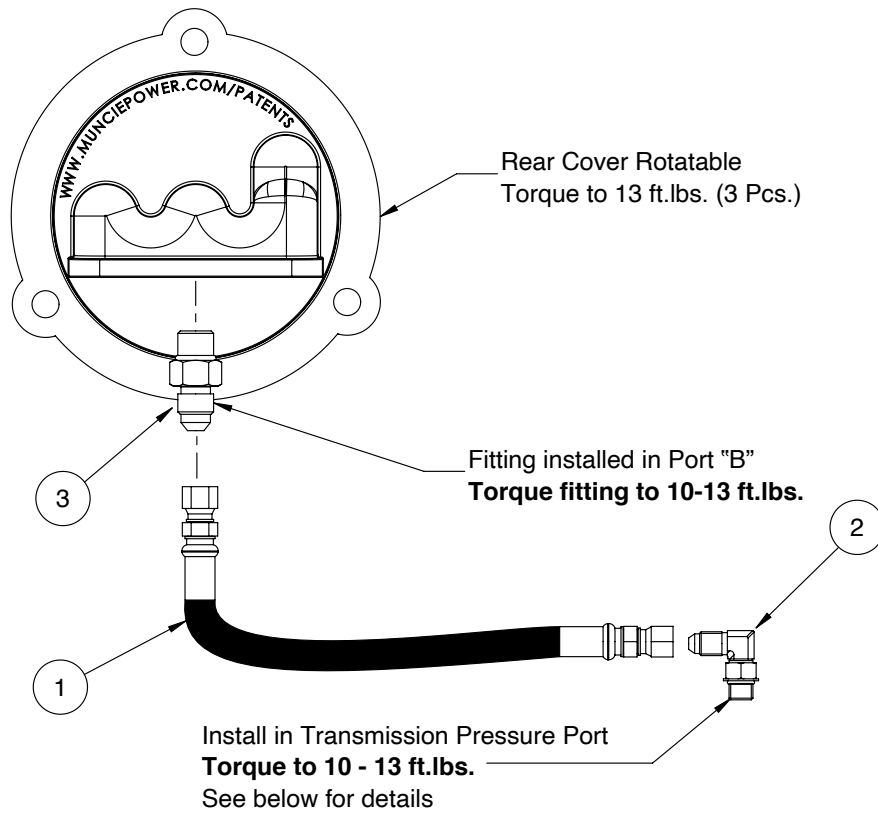
* Used on wet spline applications.

** Shaft seal not used on wet spline applications.

A30 Lube Kits

Lube Kit Plumbing Components Included in All Installation Kits

PTO Rear Cover



43TK6458 - 28" Hose Kit

ITEM	PART NO.	DESCRIPTION	QTY.
1	45T36274	28" Hose (Standard)	1
2	43M68014	Lube Fitting	1
3	43T36431	Adapter	1

43TK6470 - 57" Hose Kit

ITEM	PART NO.	DESCRIPTION	QTY.
1	45T36273	57" Hose	1
2	43M68014	Lube Fitting	1
3	43T36431	FA Adapter	1

A30 Rebuild Kits

A30-RBK-05

For 05 & 06 Ratio A30 PTOs

PART NO.	QTY.	DESCRIPTION
10T43098	1	Tapered Bearing
18TK6341	1	Shim Kit
15T62484	2	Square Washer
10T43287	2	Input Bearing
27T43291	2	Belleville Washer
10T43097	1	Output Bearing
A30-GSK	1	A30 Gasket Kit

A30-RBK-07

For 07 -15 Ratio A30 PTOs

PART NO.	QTY.	DESCRIPTION
10T43098	1	Tapered Bearing
18TK6341	1	Shim Kit
15T62484	2	Square Washer
10T43096	2	Input Bearing
27T43291	2	Belleville Washer
10T43097	1	Output Bearing
A30-GSK	1	A30 Gasket Kit

EX Drive Mounting Gasket Kit - 13TK6635

A30-GSK - A30 Gasket Kit

PART NO.	QTY.	DESCRIPTION
12T36472	1	O-Ring
12T36869	2	O-Ring
12T42978	1	Ring Seal
12T39023	2	O-Ring
12T36701	1	O-Ring
11T64141	1	Shaft Seal - X4, X2, 1X Outputs Only
12T34003	1	O-Ring
11T38247	1	Shaft Seal
12T43185	1	O-Ring
13T35777	1	Allison 10-Bolt Gasket

20TK6566 - Stud Kit

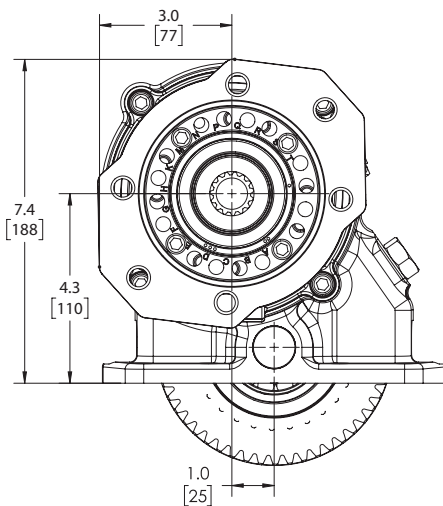
PART NO.	QTY.	DESCRIPTION
MC21-02	1	Instruction
19T64314	8	Cap Screw
20T63321	2	Alignment Stud
21T64303	8	Flat Washers

Wet Spline Pump Mounting Gasket Kit - 12TK6632

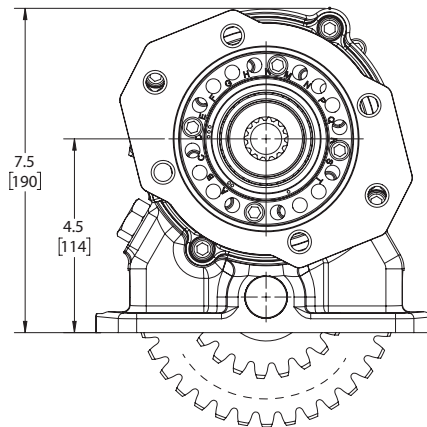
PART NO.	QTY.	DESCRIPTION
12T34003	1	SAE "C" Pump O-Ring
12T43185	1	SAE "B" Pump O-Ring
11220082P00	1	DIN 5462 Gasket

Dimensions

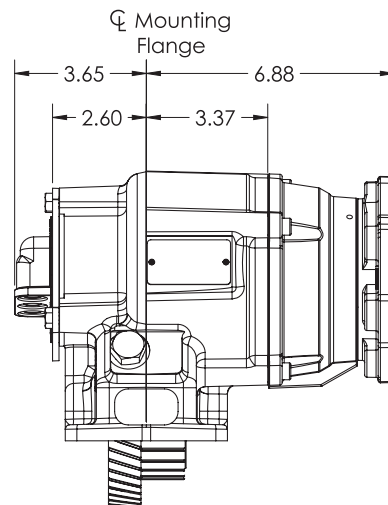
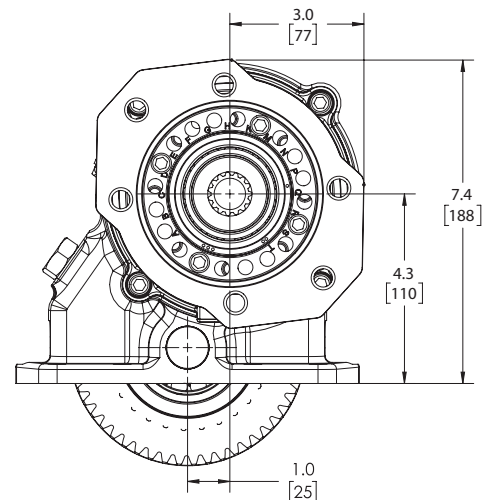
3 Arrangement



5 Arrangement

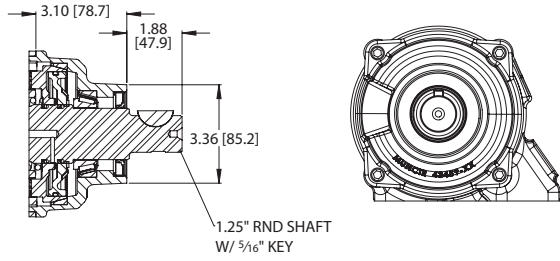


1 Arrangement

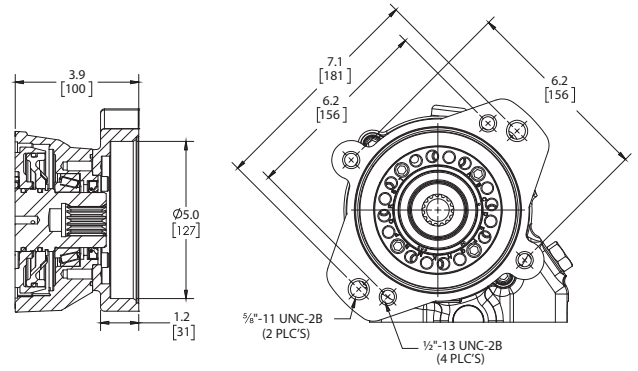


A30 All Arrangements

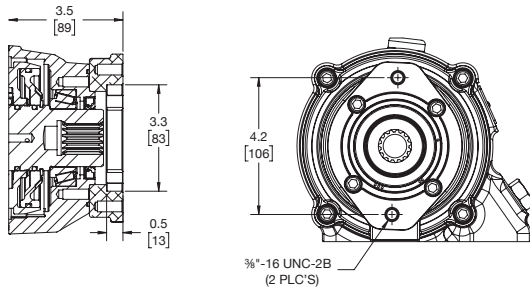
Dimensions



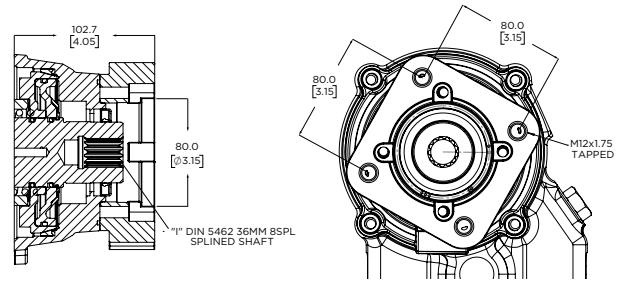
“1X” OUTPUT – 1¼” ROUND KEYED SHAFT



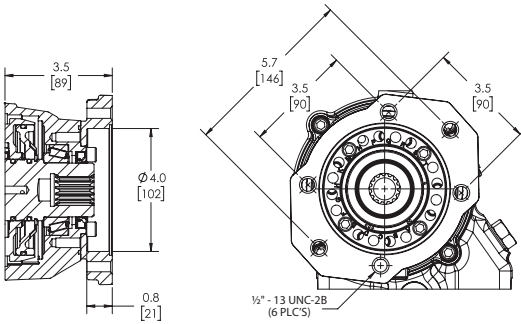
“CC” OUTPUT – SAE “C” 1¼”-14T, SAE “C” 2- & 4-BOLT



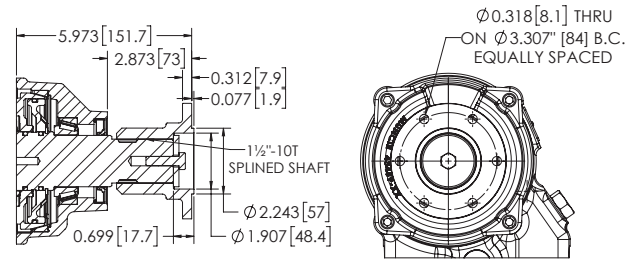
“AA” OUTPUT – SAE “A” 5/8” -9T, SAE “A” 2-BOLT
 “BA” OUTPUT – SAE “B” 7/8”-13T, SAE “A” 2-BOLT FLANGE
 “TA” OUTPUT – SAE 3/4”-11T, SAE “A” 2-BOLT



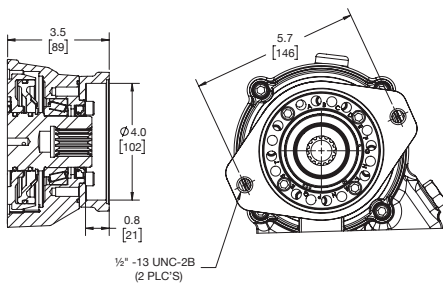
“II” OUTPUT – DIN 5462 Euro with M12 Tap Hole



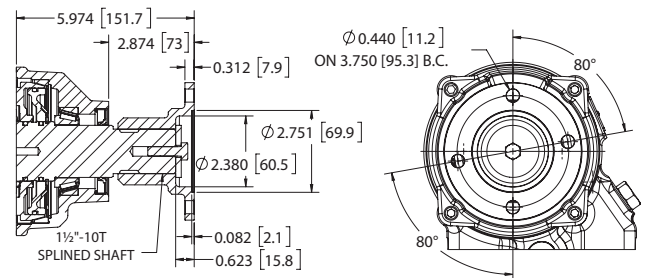
“BB” OUTPUT – SAE “B” 7/8” -13T, SAE “B” 2- & 4-BOLT
 “CB” OUTPUT – Special Shaft Extension Flange
 “PB” OUTPUT – SAE “BB” 1”-15T, SAE “B” 2- & 4-BOLT
 “ZB” OUTPUT – SAE “C” 1¼”-14T, SAE “B” 2- & 4-BOLT



“X2” OUTPUT – 1½”-10T, DIN 100 Companion Flange



“BS” OUTPUT – SAE “B” 7/8” -13T SHAFT, SAE “B” 2-BOLT
 “PS” OUTPUT – SAE “BB” 1.0”-15T, SAE “B” 2-BOLT



“X4” OUTPUT – 1½”-10T, 1410 Companion



A Member of the Interpump Group

SP21-02 (Rev. 04-24)

201 East Jackson Street, Muncie, Indiana 47305
800-367-7867 • Fax: 765-284-6991 • info@munciepower.com

Specifications are subject to change without notice. Visit www.munciepower.com
for warranties and literature. All rights reserved. © Muncie Power Products, Inc. (2021)