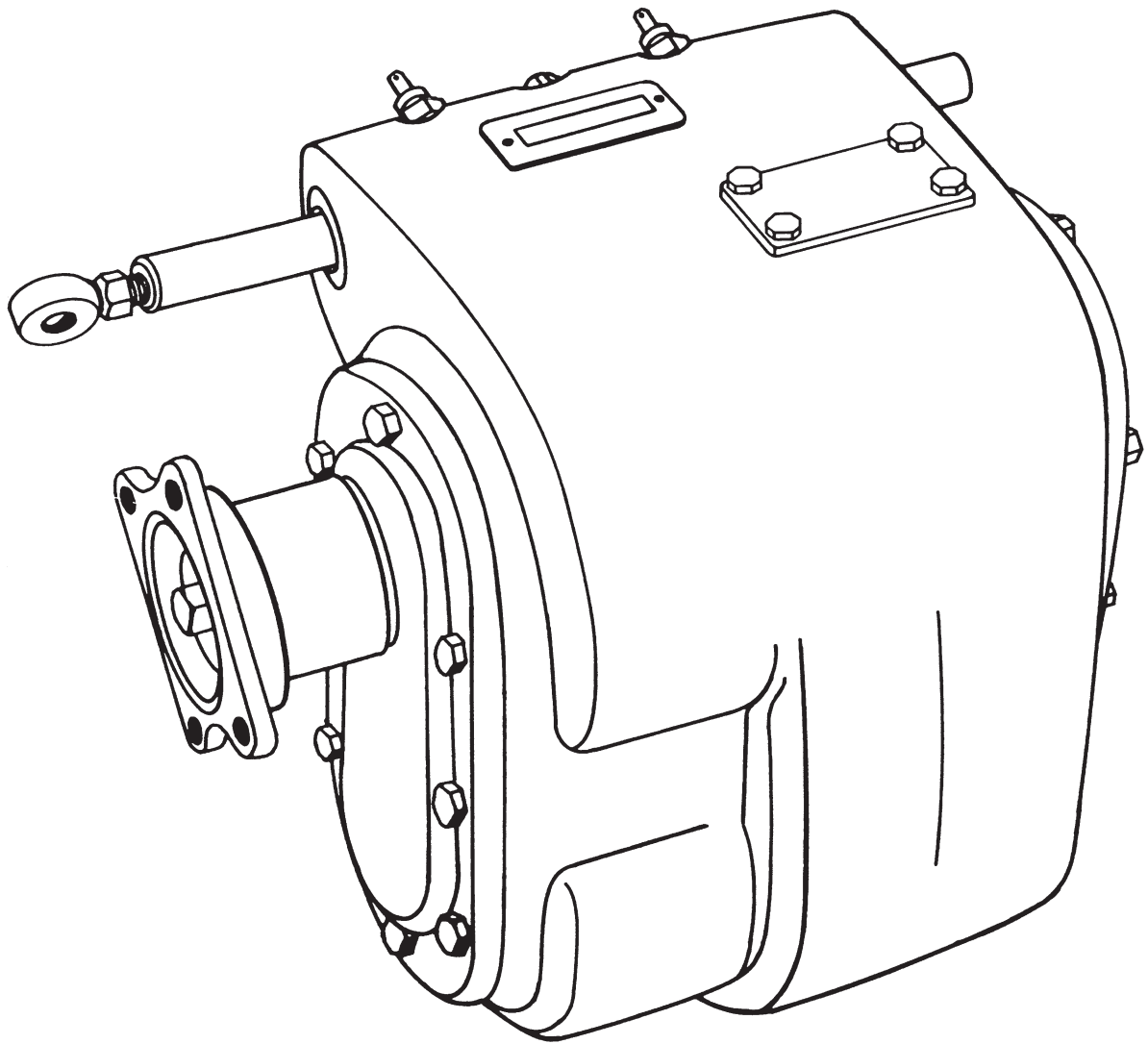




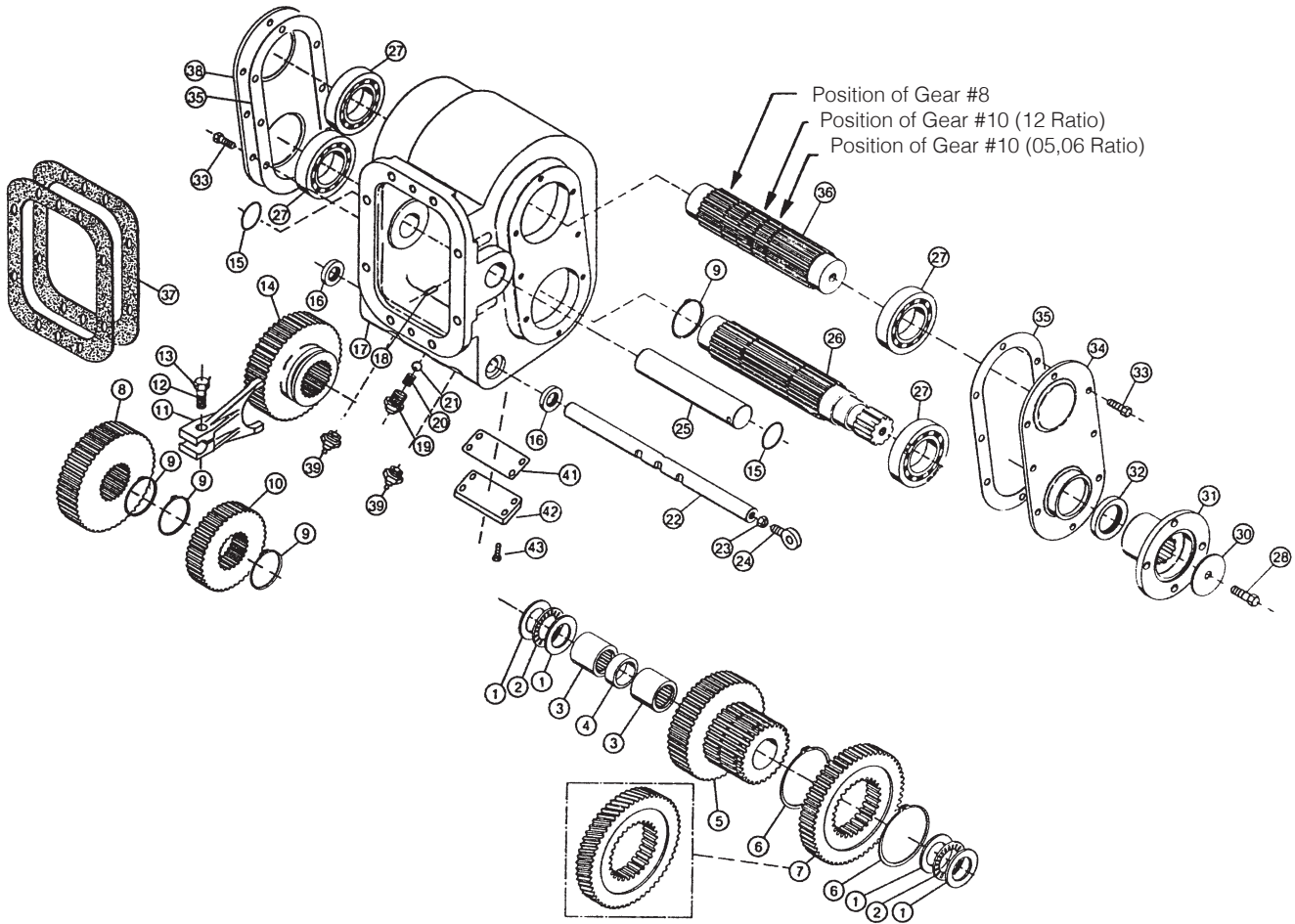
83 SERIES PTO

PARTS LIST AND SERVICE MANUAL



83 SERIES PTO

EXPLODED VIEW



MODEL NUMBER CONSTRUCTION

83 8S - U68 05 - L 2 C X

PTO Type _____
8-Bolt 83 Series — 83

Mounting _____
SAE 8-Bolt Std. Mtg. — 8S
SAE 8-Bolt Std. Mtg., Metric Stud Kit — 8B

Trans. 83 Gear Data _____
Mack 6.48 P 17° 30' Spur — M65
Spicer 7 P 17.5° 28° 4' 23" LH — S70
Universal 5 or 5/7 P 20° Spur — U57
Universal 6 P 25° Spur — U62
Universal 6 or 6/8 P 20° Spur — U68

Speed Ratio _____
05 — .470:1
06 — .656:1
12 — 1.150:1

Special Feature
X — None
P — Pressure Lubrication

Output Type
C — 1½ 10 Spline-1410
2 — DIN

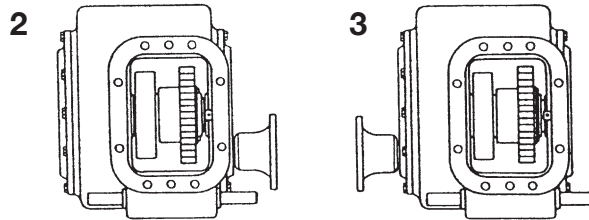
Assembly Arrangement
2
3

Shifter Type
L — Lever

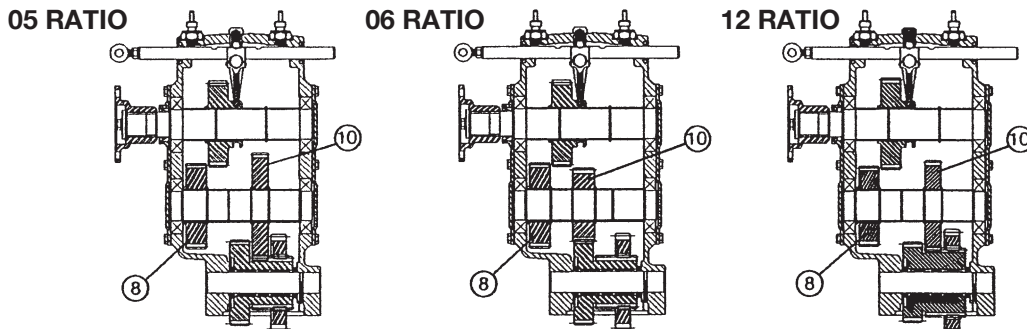
PARTS LIST AND DESCRIPTION

ITEM	QTY	PART NUMBER	DESCRIPTION	ITEM	QTY	PART NUMBER	DESCRIPTION
1	4	10T32618	Race	20	1	27T22021	Spring
2	2	10T27068	Bearing	21	1	28T20486	Ball
3	2	10T29491	Bearing	22	1	17T34814	Shaft
4	1	18T33363	Spacer	23	1	22T21723	Nut
5	1	03T33361	05,12 Ratio Gear (30/18T)	24	1	28T34746	Eyebolt
	1	03T36022	06 Ratio Gear (24/28T)	25	1	07T35686	Shaft
6	2	24T31591	Snap Ring (05,12)	26	1	06T32749	Shaft
	2	24T36724	Snap Ring (06)	27	4	10T35775	Bearing
	2	24T36024	Spiral Type (06)(Before 12/95)	28	1	19T38266	CapscREW
7	1	03T93839	Input Gear (M6505,12) (37T)	30	1	21T20092	Washer
	1	03T36029	Input Gear (M6506) (39T)	31	1	14T31499	Flange "C"
	1	03T33362	Input Gear (S7005,12) (31T)		1	14T37498	Flange "Z"
	1	03T32661	Input Gear (U5705,12) (28T)	32	1	11T37005	Seal
	1	03T36026	Input Gear (U5706) (31T)	33	16	19T32740	CapscREW
	1	03T32739	Input Gear (U6205,12) (34T)	34	1	15T34811	Cover
	1	03T31647	Input Gear (U6805,12) (34T)	35	2	13T31642	Gasket
	1	03T36028	Input Gear (U6806) (37T)	36	1	08T33132	Shaft
8	1	04T32754	Idler Gear (05,12 Ratio) (30T)	37	2	13M35151	.010 8-Bolt Gasket
	1	04T36032	Idler Gear (06 Ratio) (28T)		1	13M35152	.020 8-Bolt Gasket
9	4	24T26980	Snap Ring	38	1	15T34812	Cover
10	1	04T39273	Gear (05 Ratio) (38T)	39	2	30T38110	Indicator Switch-Silver
	1	04T36031	Gear (06 Ratio) (32T)	41	1	13T34022	Gasket
	1	04T33133	Gear (12 Ratio) (26T)	42	1	16T33999	Cover, Inspection
11	1	28T32756	Yoke	43	4	19T34028	CapscREW
12	1	19T32326	Screw 1/2-13UNC x 1/4 GR5	N.S.	1	83-GSK	Gasket & Seal Kit - Items 15(2), 16(2), 32(1), 35(2), 37(3), 41(1), 25T34624(2), 12T36526(2)
13	1	28T21513	Lockwire				
14	1	02T32755	Output Gear (05,12 Ratio) (30T)	N.S.	1	83-RBK	Rebuild Kit - Items 1(4), 2(2), 3(2), 6(2), 9(4), 13(1), 15(1), 16(2), 18(1), 27(4), 32(1), 35(2), 37(2), 41(1), 12T36526(2)
	1	02T36033	Output Gear (06 Ratio) (32T)	N.S.	1	36MK3841	Label Packet, English
15	2	12T35622	O-Ring	N.S.	1	52MK1004	Mounting Gasket Kit
16	2	11T36865	Seal				
17	1	01T34813	Housing				
18	1	26T22340	Pin				
19	1	28T22019	Poppet Retainer				

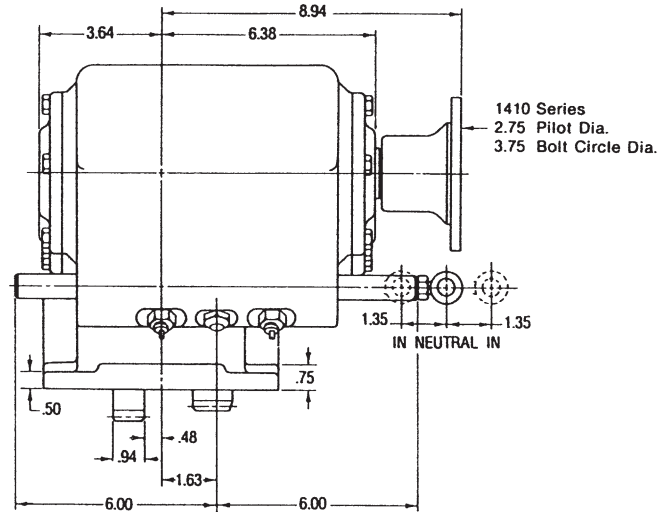
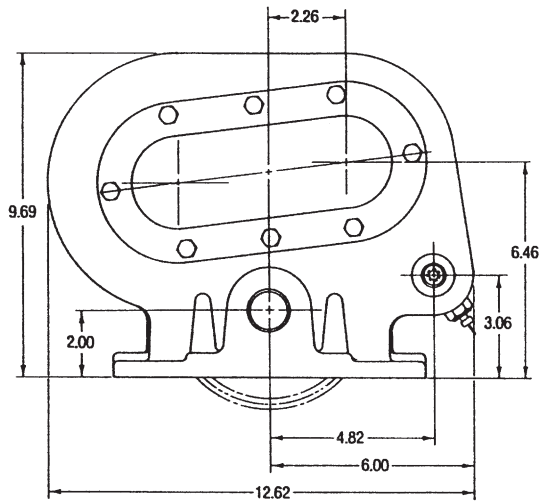
ASSEMBLY ARRANGEMENTS



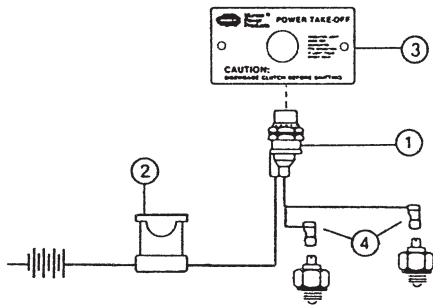
LOCATION OF GEARS FOR SPECIFIED RATIOS



MOUNTING DIMENSIONS

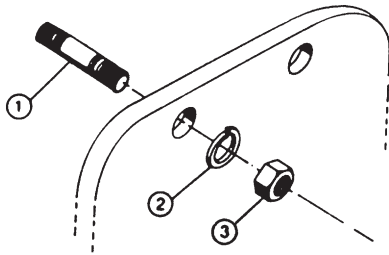


MOUNTING KITS



DASH LIGHT KIT 36MK1220-A

ITEM	QTY	PART NUMBER	DESCRIPTION
1	1	32M12001	Indicator Light
2	1	33T36299	Fuse Assembly
3	1	36M16818	Dash Face Plate
4	2	34T38163	Booted Connector



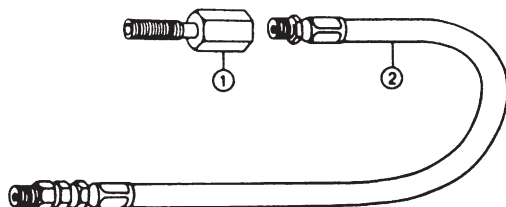
8-BOLT MOUNTING KIT 20MK8815 (838S)**

ITEM	QTY	PART NUMBER	DESCRIPTION
1	8	20M44213	Stud
2	8	21ML4375	Lock Washer
3	8	22MX4420	Hex Nut

8-BOLT MOUNTING KIT 20MKM802 (838B)**

ITEM	QTY	PART NUMBER	DESCRIPTION
1	8	20M47055	Stud, Metric
2	8	21ML4375	Lock Washer
3	8	22MX4420	Hex Nut

** 06 Ratio Reqs .190 additional spacing and longer stud kit not supplied



PRESSURE LUBE KIT 43MK3474

ITEM	QTY	PART NUMBER	DESCRIPTION
1	1	43MA0970	Orifice Fitting
2	1	45M4R536	Hose

Note: Item 1 replaces Bearing Capscrew.
(19T32740) nearest idler shift.



SP83-04 (Rev. 12-01) Printed in the U.S.A.
© Muncie Power Products, Inc. 2001

Muncie Power Products, Inc. Member of the Interpump Hydraulics Group
General Offices and Distribution Center • P.O. Box 548 • Muncie, IN 47308-0548
(765) 284-7721 • FAX (765) 284-6991 • E-mail info@munciepower.com
Web site <http://www.munciepower.com>

Drive Products, Exclusive Agents for Canada, ISO Certified by an Accredited Registrar