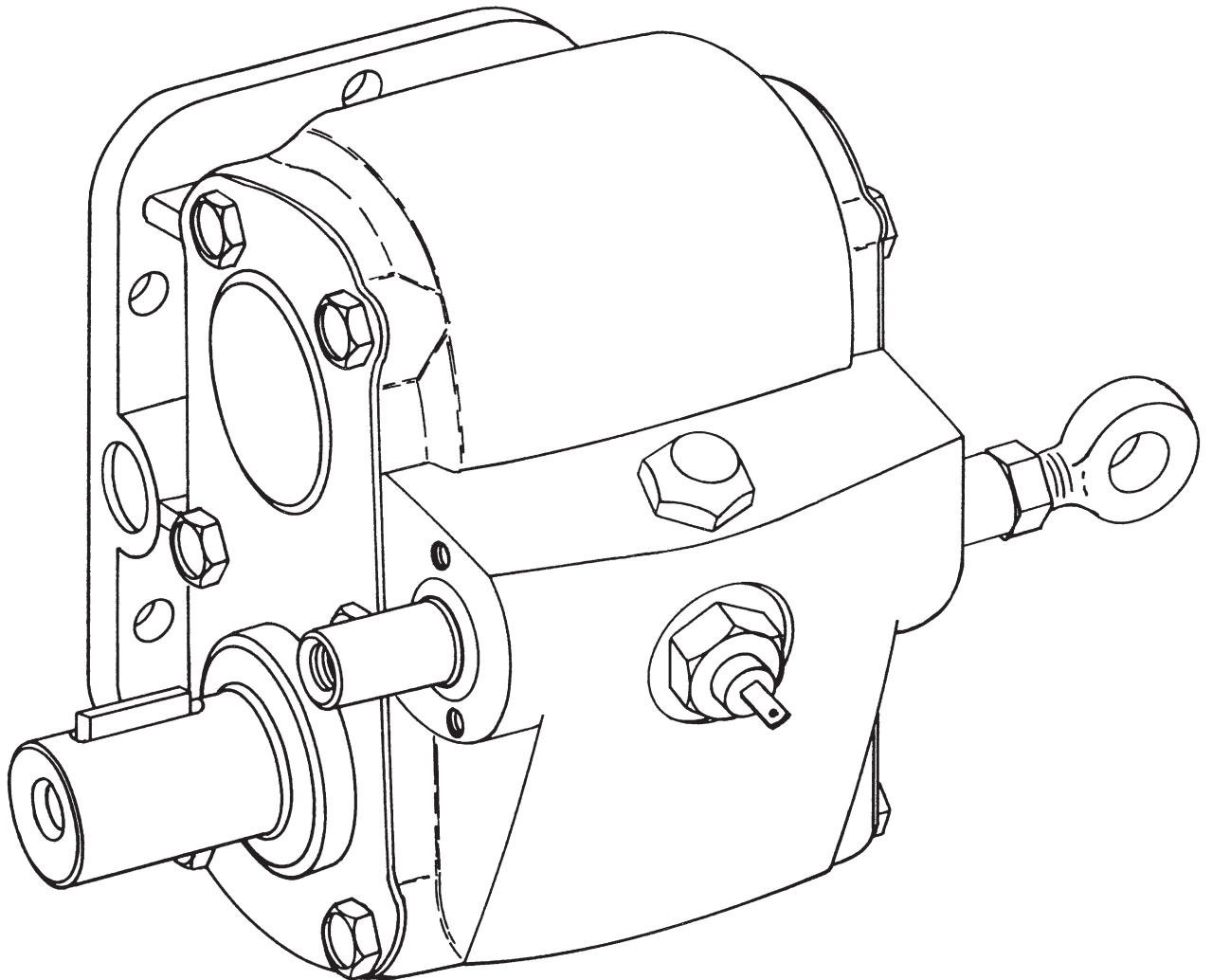




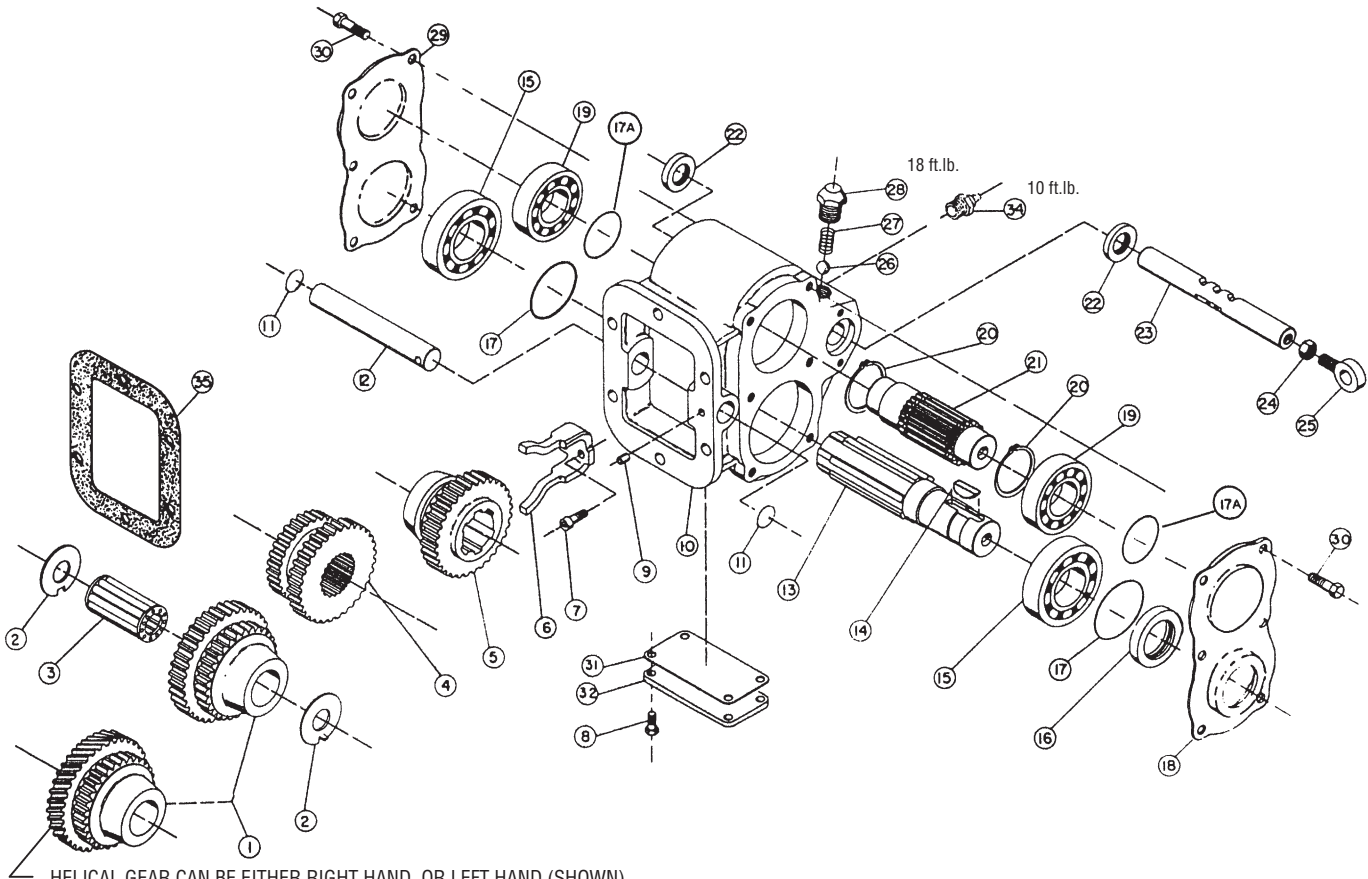
Muncie®
Power
Products

RG SERIES POWER TAKE-OFF

PARTS LIST AND SERVICE MANUAL



RG SERIES PTO



HELICAL GEAR CAN BE EITHER RIGHT HAND, OR LEFT HAND (SHOWN).

MODEL NUMBER CONSTRUCTION

RG 6D - U68 13 - L 3 B X

PTO Type

Reversible G Series — RG

Mounting

S.A.E. 6-Bolt Non-Std. Mtg. — 6D

Trans.

RG Gear Data

Fuller	6.1P 20.5° PA 29° LH	-F61
Fuller	6.35P 20° PA 22 LH	-F63
G.M.C.	7P 20° 20° LH	-G70
G.M.C.-Chev.	7.3449P 20° 24° LH	-G73
New Process	6P 20° 17° 40' 41" LH	-N60
New Venture	7.94P 22.5° PA 30° LH	-N79
Spicer	6P 17.5° PA 22.25° LH	-S61
Spicer	7P 17.5° 28° 4' 23" LH	-S70
Spicer	7P 17.5° PA 18° LH	-S71
Universal	6P or 17.5° Spur	-U67
Universal	6 or 6/8P 20° Spur	-U68
Warner	8.0829P 20° 30° LH	-W80
Zed F	10.3673P 20° LH	-Z10

Special Feature

X — None

Output Type

B — 1¼ RD Std.

Assy. Arrangement

1
2
3
4

Shifter Type

L — Lever
A — Manual Air

Speed Ratio

13 — 1.32:1

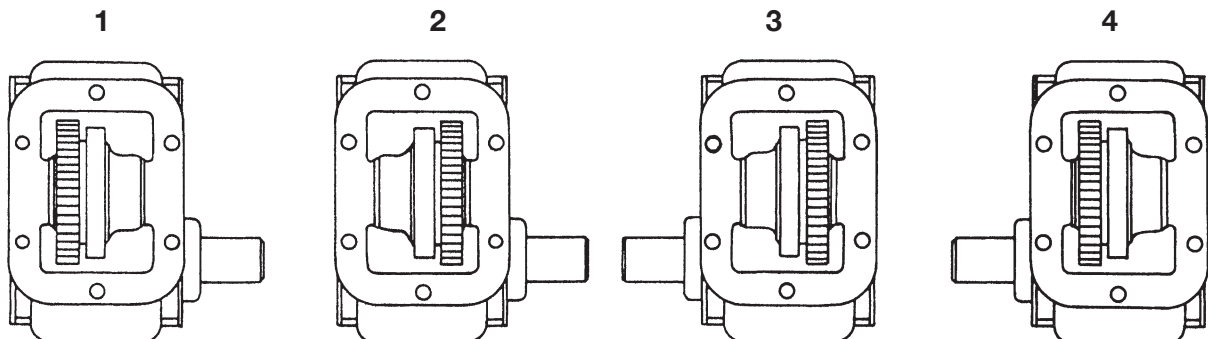
RG SERIES PARTS LIST & DESCRIPTION

ITEM	QTY	PART NUMBER	DESCRIPTION	ITEM	QTY	PART NUMBER	DESCRIPTION
1	1	See Gear Listing	Input Gear	23	1	17T34860	Shifter Shaft
2	2	21T21760	Washer	24	1	22T21723	Nut
3	1	10T21018	Bearing	25	1	28T34746	Eye Bolt
4	1	04T23936	Reverse Idler Gear (20/16T)	26	1	28T20486	Poppet Ball (Not used in air shift)
5	1	02T21484	Output Gear (19T)	27	1	27T22021	Poppet Spring (Not used in air shift)
6	1	28T22332	Shifter Yoke	28	1	28T22019	Poppet Retainer
7	2	19T31664	Capscrew	29	1	15T34858	End Cover
8	4	19T34028	Capscrew	30	12	19T33233	Capscrew
9	1	26T24874	Roll Pin	31	1	13T34022	Gasket
10	1	01T34864	Housing	32	1	16T33999	Inspection Cover Plate
11	2	12T36899	O-Ring	34	1	30T38111	Indicator Sw. (N.O.-White) (Incl. 12T36526 O-Ring)
12	1	07T36895	Input Idler Shaft	N.S.	1	20MK6601	Mounting Kit
13	1	06T21488	Output Shaft	N.S.	1	RG-GSK	Gasket & Seal Kit Includes items: 11(2), 16(1), 17(2), 17A(2), 22(2), 31(1), 12T36526(1)
14	1	26T01627	Woodruff Key	35	1	13M35091	.010 6-Bolt Gasket
	1	26T20105	Square Key (Old Style)		1	13M35092	.020 6-Bolt Gasket
15	2	10T21017	Bearing	N.S.	1	13M51717	Tube Gasket (For W80 Only)
16	1	11T37002	Seal	N.S.	1	RG-RBK-C	Rebuild Kit-Cable Shift
17	2	13T21496	Gasket (Old Style)	N.S.	1	RG-RBK-A	Rebuild Kit-Air Shift
	2	12T36751	O-Ring	N.S.	1	RG-RBK-L	Rebuild Kit-Lever Shift
17A	2	12T36873	O-Ring	N.S.	1	18M20075	Spacer (Lockup PTO)
18	1	15T34857	End Cover				
19	2	10T21876	Bearing				
20	2	24T23937	Snap Ring				
21	1	08T39176	Reverse Idler Shaft				
22	2	11T36865	Seal				

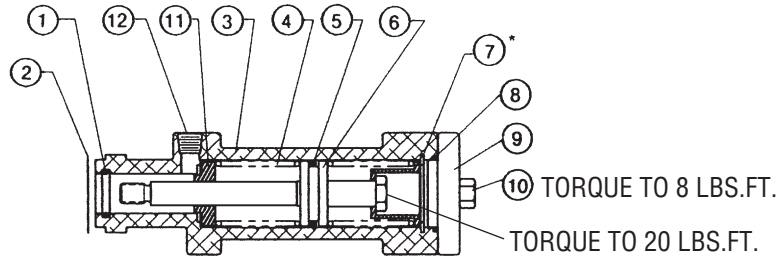
INPUT GEAR PART NUMBERS (ITEM 1)

TRANSMISSION INDICATOR	GEAR PART NUMBER (TEETH)	TRANSMISSION INDICATOR	GEAR PART NUMBER (TEETH)
C76	03T23769 (26/20)	S61	03T35962 (19/20)
F61	03T35035 (17/20)	S70	03T33138 (23/20)
F63	03T35300 (22/20)	S71	03T35964 (25/20)
G70	03T23771 (24/20)	U67	03T24285 (22/20)
G73	03T39177 (25/20)	U68	03T21505 (22/20)
N60	03T25544 (21/20)	W80	03T34245 (26/20)
N79	03T35684 (25/20)	Z10	03T17308 (31/20)

ASSEMBLY ARRANGEMENTS



AIR SHIFT CYLINDER 47TA3844



PARTS LIST & DESCRIPTION

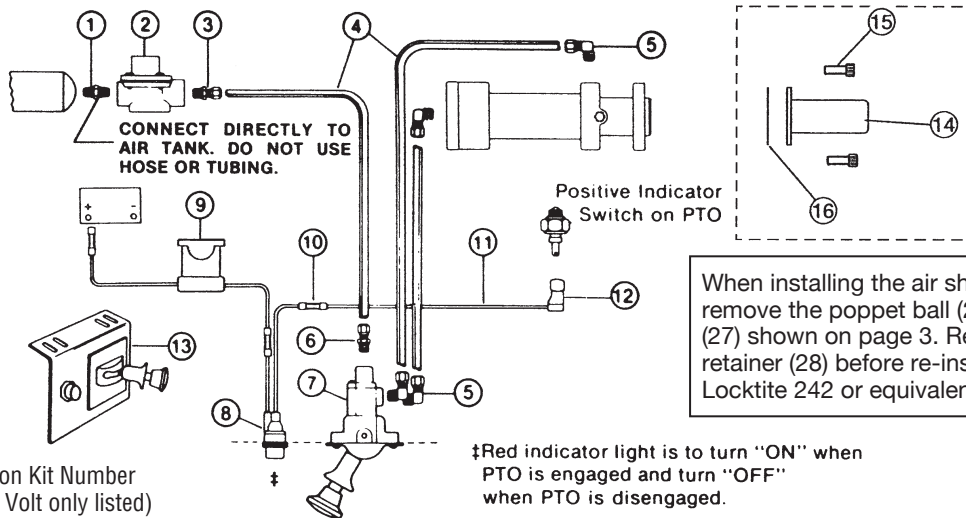
ITEM	QTY	PART NUMBER	DESCRIPTION
1	1	12T35611	O-Ring
2	1	13T35597	Gasket
3	1	28T35599	Housing
4	1	27T35600	Spring
5	1	12T35621	O-Ring
6	1	28TA3860	Piston Assembly (Includes: Piston, Piston Rod, Spring, and Retainer)

ITEM	QTY	PART NUMBER	DESCRIPTION
7*	1	24T35623	Snap Ring
8	1	12T35622	O-Ring
9	1	28T35689	End Cap
10	2	19T34494	Cap Screw
11	1	28T35669	Spring Retainer
12	2	25T34029	Cap Plug
N.S.	2	19T35624	Cap Screw

*CAUTION: When removing item #7 (Snap Ring), there is a 32 lb. preload on the springs. Depress piston assembly with proper tool before removal. Do not remove during attachment to PTO.

STANDARD AIR SHIFT SYSTEM

48M61260-A (12V LIGHT) • 48M62460-A (24V LIGHT)



When installing the air shift system, remove the poppet ball (26) and spring (27) shown on page 3. Reseal poppet retainer (28) before re-installing, using Loctite 242 or equivalent.

NOTE: Conversion Kit Number
– Lever to Air (12 Volt only listed)
16MK4260-A (Includes Air Cylinder).

‡Red indicator light is to turn "ON" when PTO is engaged and turn "OFF" when PTO is disengaged.

PARTS LIST & DESCRIPTION

ITEM	QTY	PART NUMBER	DESCRIPTION
1	1	44MB2164	Nipple
2	1	31M15759	Pressure Protection Valve
3	1	44MB6844	Tube Fitting
4	1	45M44430	Air Tubing – 30'
5	4	44MB6942	Tube Fitting (Elbow)
6	1	44MB6842	Tube Fitting
7	1	35M18783	Air Valve
8	1	32M12001	Light (12 Volt)
	1	32M24001	Light (24 Volt)
9	1	33T36299	Fuse Assembly
10	3	34M18002	Butt Splice
11	12	37M18000	Electric Wire – 12'

ITEM	QTY	PART NUMBER	DESCRIPTION
12	1	34T38163	Booted Connector
13	1	36MA1006	Dash Bracket
N.S.	4	22MX2520	.25-20 Hex Nut
N.S.	4	19T34530	.25-20 x .50 Buttonhead Capscrew
N.S.	1	36MK1011	Bolt Kit (Includes 4 each: Bolts, Nuts & Flat Washers)
N.S.	1	36M01009	Face Plate
		16TK3896	Shift Protector Kit:
14	1	28T36461	Cap
15	2	19T31664	Capscrew
16	1	13T33976	Gasket

RG SERIES MOUNTING KITS

CONVERSION KIT – 16MK2093

(INCLUDES: 47M02093, 28MC0120, 28MK0155)

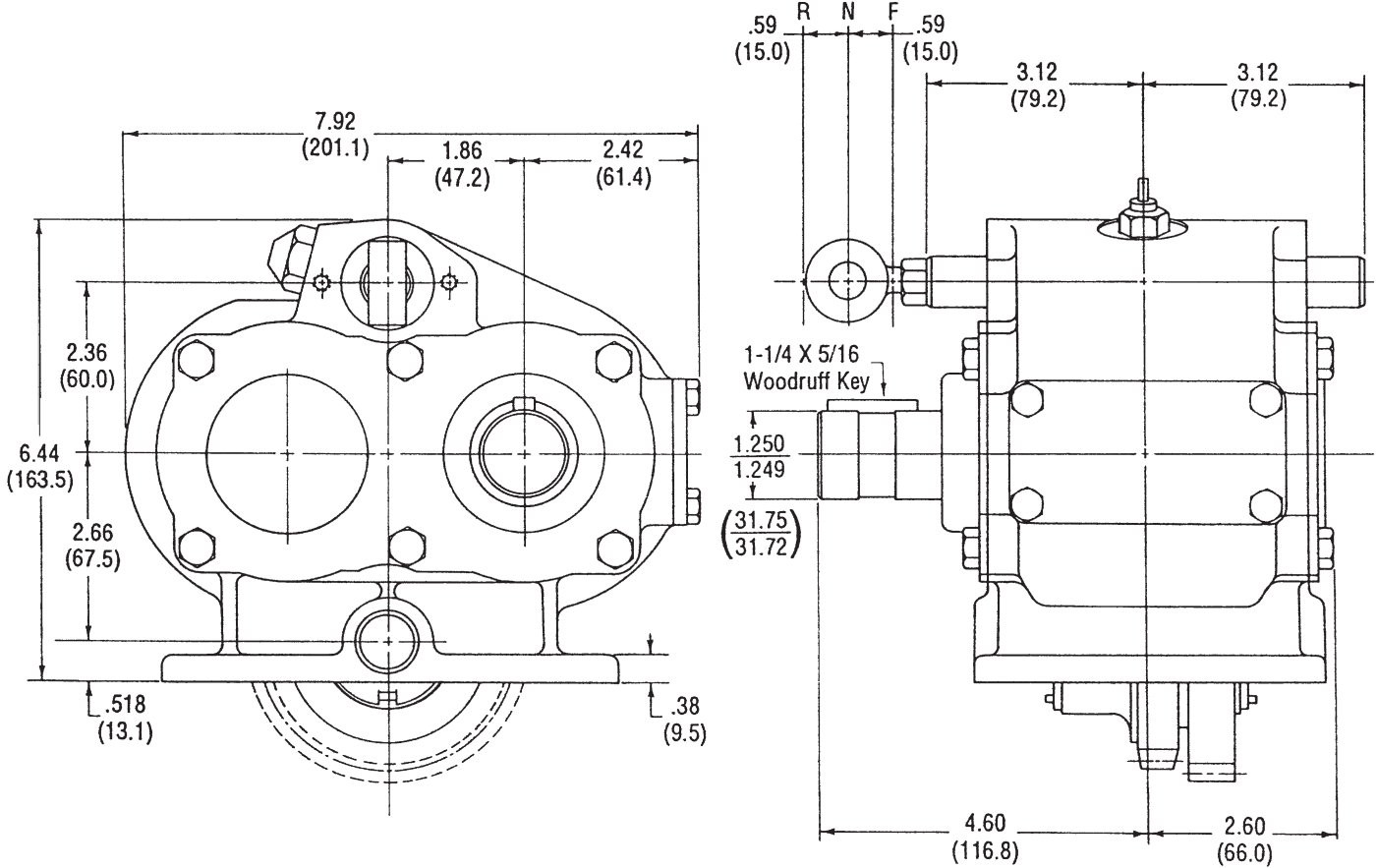
**DASH LIGHT KIT
36MK1210-A**

ITEM	QTY	PART NUMBER	DESCRIPTION
1	1	32M12001	Indicator Light
2	1	33T36299	Fuse
3	1	36M16818	Dash Face Plate
4	1	34T38163	Booted Connector

**MOUNTING KIT
20MK6601**

ITEM	QTY	PART NUMBER	DESCRIPTION
1	6	20M38150	Stud
2	6	13M18018	Copper Washer
3	6	21MX3802	Lock Tab
4	6	22MX3824	Nut

RG SERIES DIMENSIONS IN INCHES (MM)



TORQUE AND HORSEPOWER RATINGS

INTERMITTENT DUTY		
HORSEPOWER @ 1,000 RPM	TORQUE (POUND FT.)	MAX. SPEED (RPM)
26	140	2,500

CONTINUOUS DUTY		
HORSEPOWER @ 1,000 RPM	TORQUE (POUND FT.)	MAX. SPEED (RPM)
18	98	2,500

NOTE: Contact Muncie before using on continuous duty applications.



**Muncie[®]
Power
Products**

A Member of the Interpump Group

SP94-02 (Rev. 04-18)

201 East Jackson Street • Muncie, Indiana 47305
800-367-7867 • Fax 765-284-6991 • info@munciepower.com • www.munciepower.com

Specifications are subject to change without notice. Visit www.munciepower.com
for warranties and literature. All rights reserved. © Muncie Power Products, Inc. (2004)