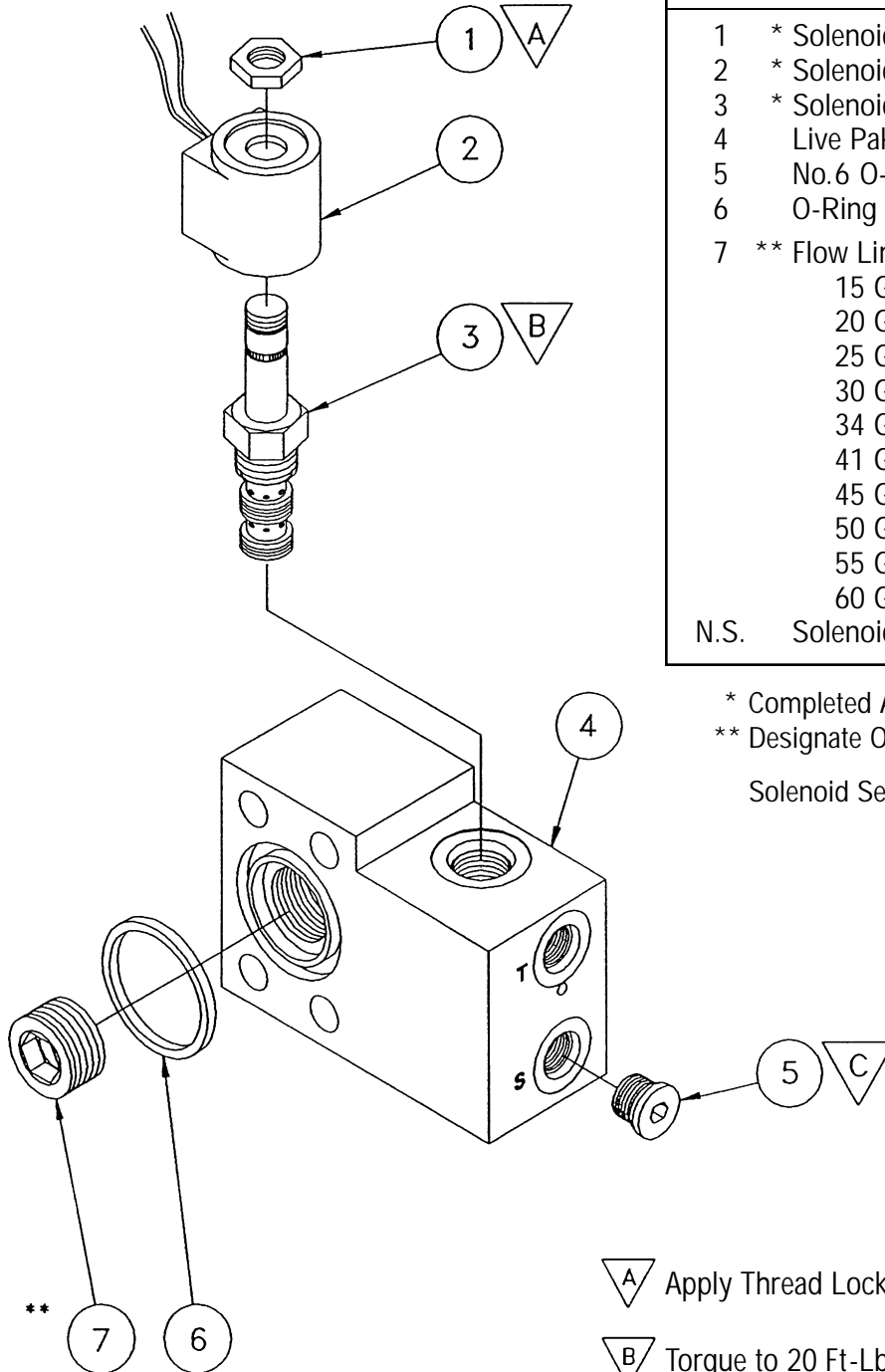




**Muncie®  
Power  
Products**

# LPV-2000- \* \* SERVICE PARTS SHEET



ITEM	DESCRIPTION	QTY.	PART NO.
1	* Solenoid Valve Nut	1	35M35874A
2	* Solenoid Valve Coil	1	35M35874B
3	* Solenoid Valve Cartridge	1	35M35874C
4	Live Pak Manifold	1	47TA3884
5	No. 6 O-Ring Plug	1	HHBP-6
6	O-Ring	1	4B222
7	** Flow Limiter Orifice	1	
	15 GPM .....		VP00-10
	20 GPM .....		VP00-12
	25 GPM .....		VP00-14
	30 GPM .....		VP00-18
	34 GPM .....		VP00-19
	41 GPM .....		VP00-23
	45 GPM .....		VP00-25
	50 GPM .....		VP00-28
	55 GPM .....		VP00-33
	60 GPM .....		VP00-36
N.S.	Solenoid Orifice Disk.....		35M35874D

\* Completed Assembly Part No. 35M35874.

\*\* Designate Orifice Size.

Solenoid Seal Kit Part No. GSK-LPV.

\*\*

- Apply Thread Locking Sealant and Torque to 5 Ft-Lbs
- Torque to 20 Ft-Lbs
- Torque to 15-18 Ft-Lbs



**Muncie®  
Power  
Products**

Muncie Power Products, Inc. General Offices & Distribution Center • P.O. Box 548 • Muncie, IN 47308-0548  
(765) 284-7721 • FAX (765) 284-6991 • E-mail info@munciepower.com • Web http://www.munciepower.com  
Drive Products, Inc., Toronto, Exclusive Agents for Canada

SP95-01 (Rev. 1-00) Printed in the U.S.A.  
© Muncie Power Products, Inc. 2000

