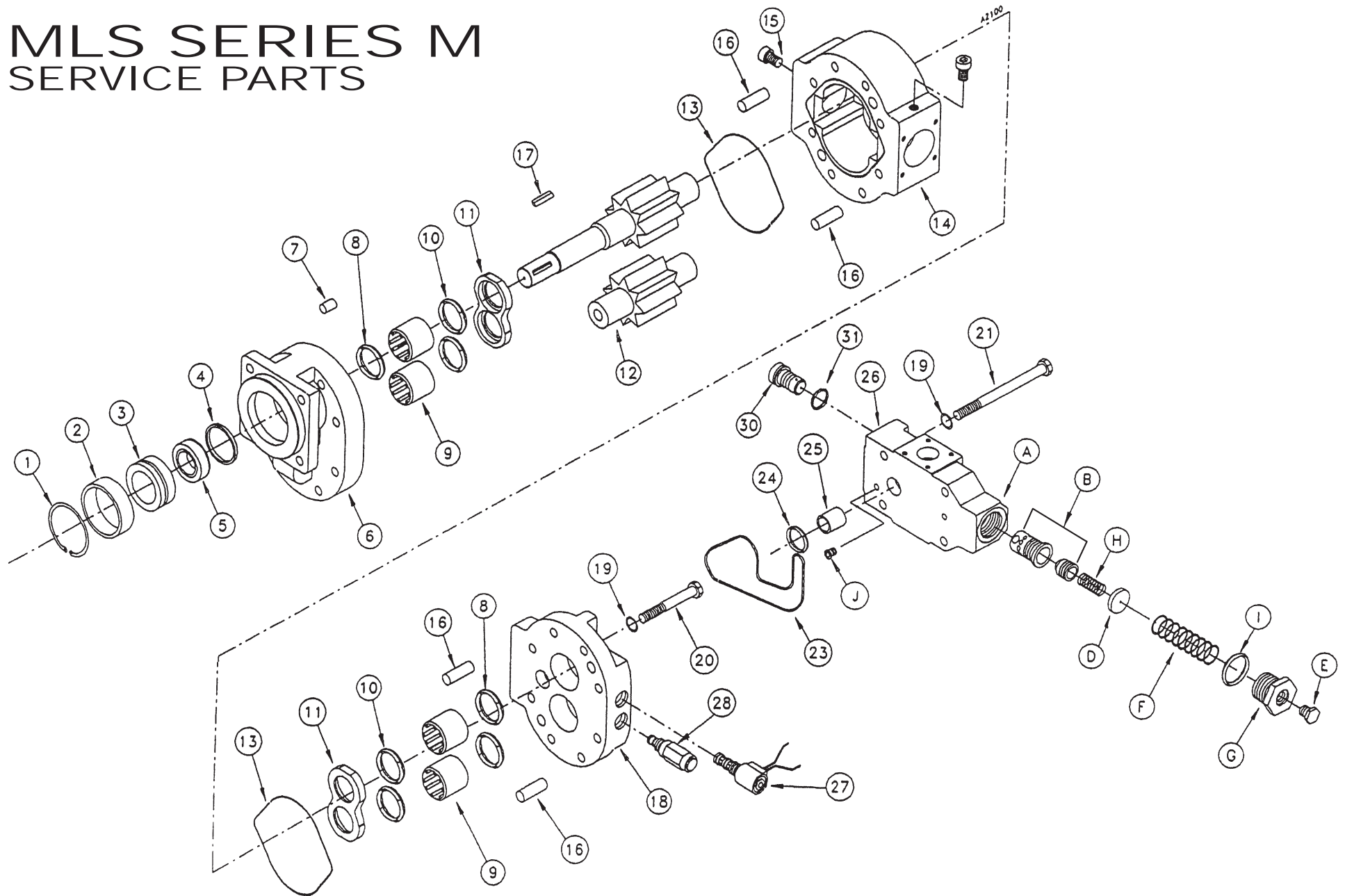


MLS SERIES M SERVICE PARTS



Muncie®
Power
Products

SP97-02 (Rev. 1-03) Printed in the U.S.A.
© Muncie Power Products, Inc. 2003

Muncie Power Products, Inc. General Offices & Distribution Center • P.O. Box 548 • Muncie, IN 47308-0548
(765) 284-7721 • FAX (765) 284-6991 • E-mail info@munciepower.com • Web <http://www.munciepower.com>
Drive Products, Inc., Toronto, Exclusive Agents for Canada*

*A Non-ISO Registered Firm

MLS SERIES M SERVICE PARTS

Item	Description	Qty	Muncie Number
1	O. B. Snap Ring	1	PM-1001
2	Spacer	1	PM-1002D
3	Seal Retainer	1	PM-1003M
4	Retainer O-Ring	1	PM-1004
5	Shaft Seal	1	PM-1005
6	Front Cover	1	
	(SAE C 4-Bolt)		PM-1007-DC
	(SAE C 2-Bolt)		PM-1007-DL
	(SAE B 4-Bolt)		PM-1007-DK
7	Check Assembly	2	PS1010
8	Ring Seal	3	PM-1008-011
9	Bearing	4	PM1013
10	Pressure Balance Seal	4	PM-1009M
11	Wear Plate	2	PM-1014M
12	Gear Sets	1	
	1 1/4 RND 22 GPM		PM-1016K-22-2
	1 1/4 RND 27 GPM		PM-1016K-27-2
	1 1/4 RND 31 GPM		PM-1016K-31-2
	1 1/4 RND 35 GPM		PM-1016K-35-2
	1 1/4 RND 40 GPM		PM-1016K-40-2
	1 1/4 RND 44 GPM		PM-1016K-44-2
	1 1/4 14 T 22 GPM		PM-1016S-22-2
	1 1/4 14 T 27 GPM		PM-1016S-27-2
	1 1/4 14 T 31 GPM		PM-1016S-31-2
	1 1/4 14 T 35 GPM		PM-1016S-35-2
	1 1/4 14 T 40 GPM		PM-1016S-40-2
	1 1/4 14 T 44 GPM		PM-1016S-44-2
13	Body Seal	2	PM-1015
14	Body (Standard Spl. Flg.)	1	
	22 GPM		PM-1025-22-LPV
	27 GPM		PM-1025-27-LPV
	31 GPM		PM-1025-31-LPV
	35 GPM		PM-1025-35-LPV
	40 GPM		PM-1025-40-LPV
	44 GPM		PM-1025-44-LPV
15	Test Port Plug (-6 ODT)	2	HHBP-6
16	Dowel Pin	4	PM-1024
17	Key	1	PM-1017
18	Rear Cover	1	PM-1026-LPV
19	Washer	8	PL-1029
20	Cap Screw		
	22 GPM	4	PM-1028-22
	27 GPM	4	PM-1028-27
	31 GPM	4	PM-1028-31
	35 GPM	4	PM-1028-35
	40 GPM	4	PM-1028-40
	44 GPM	4	PM-1028-44
21	Cap Screw		
	22 & 27 GPM	4	PM-1028-700
	31 & 35 GPM	4	PM-1028-706
	40 & 44 GPM	4	PM-1028-351
23	O-Ring (Rear Cover Channel)	1	PM-1032-235
24	O-Ring Seal (Hollow Dowel)	1	PM-1032-618
25	Hollow Dowel Pin	1	PM-1024-515

Item	Description	Qty	Muncie Number
26	Valve Body Assy. (Includes Items Below)	1	PM-1040-LPV
	A) Valve Housing	1	PM-1040-LPV001
	B) Poppet & Metering Spool	1	PM-1040-LPV003A
	D) Washer (.031 Orifice)	1	PM-1040-LPV004
	E) Plug (-6 ODT)	1	HHBP-6
	F) Metering Spring	1	PM-1040-LPV006
	G) Spool End Cap	1	PM-1040-LPV007
	H) Poppet Spring	1	PM-1040-LPV008
	I) O-Ring (Cap Plug)	1	PM-1040-LPV009
	J) Plug (-4 ODT \ .078)	1	PM-1040-LPV005
27	Solenoid Assy.	1	35T37427
	Solenoid Coil	1	35M35874B
28	Relief Valve (Fixed)	1	35T37435
	Relief Valve Blanking Plug	1	25T37436
30	Orifice Plug (Size)	1	
	22 GPM (No End Hole)		25T37469-000
	25 GPM (.0935)		25T37469-093
	30 GPM (.1562)		25T37469-156
	35 GPM (.2031)		25T37469-203
	40 GPM (.2188)		25T37469-218
	45 GPM (.2500)		25T37469-250
	50 GPM (.2812)		25T37469-281
	55 GPM (.3120)		25T37469-312
	60 GPM (.3438)		25T37469-343
	65 GPM (.3750)		25T37469-375
	70 GPM (.3906)		25T37469-390
	75 GPM (.4130)		25T37469-413
31	Orifice Plug O-Ring	1	12T37473
NS	Seal & O-Ring Kit	1	GSK-PM-LPV
	Retainer O-Ring	1	PM-1004
	Pressure Balance Seal	4	PM-1009M
	Body Seal	3	PM-1015
	Shaft Seal	1	PM-1005
	O-Ring	1	PM-1032-235
	O-Ring	1	PM-1032-618
NS	Rebuild Kit	1	RBK-PM-LPV
	Wear Plates	2	PM-1014M
	Retainer O-Ring	1	PM-1004
	Ring Seal	3	PM-1008-011
	Pressure Balance Seal	2	PM-1009M
	Body Seal	3	PM-1015
	Shaft Seal	1	PM-1005
	O-Ring	1	PM-1032-235
	O-Ring	1	PM-1032-618
NS	Bearing Kit	1	PM-1013K
	Bearing	4	PM-1013

NOTE: Torque Cap Screws to 200 ft.lbs.
 Torque Orifice Plug to 85 ft.lbs.
 Torque Solenoid and Relief Cartridge to 20 ft.lbs.
 Torque Solenoid Coil Nut to 5 ft.lbs.