

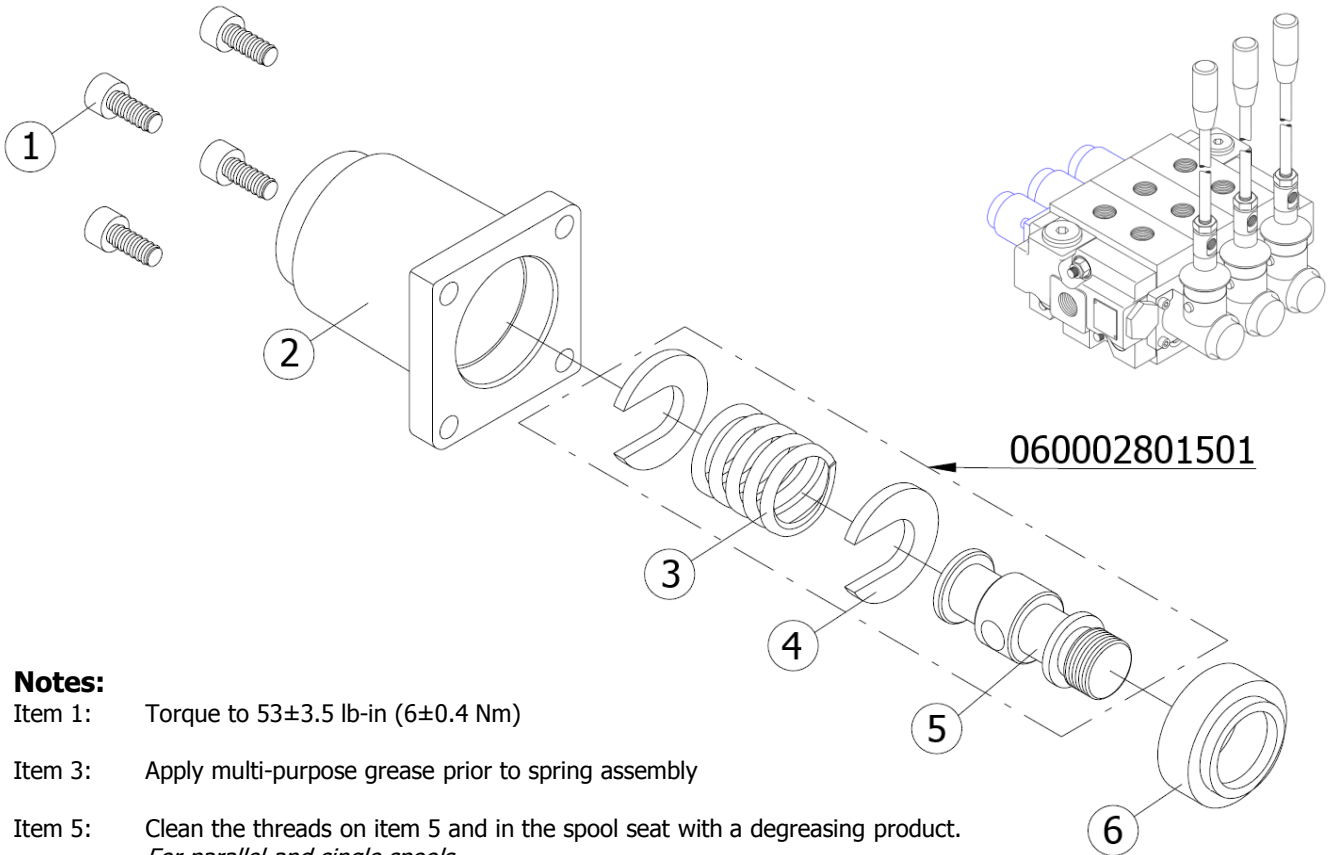
V130 Service Parts

Back-Cap & Control Kits



V130 Series Back-Cap Kit 3 Position Spring Return

V130-BC-01



Notes:

Item 1: Torque to 53±3.5 lb-in (6±0.4 Nm)

Item 3: Apply multi-purpose grease prior to spring assembly

Item 5: Clean the threads on item 5 and in the spool seat with a degreasing product.

For parallel and single spools

- Apply 2 drops of LOCTITE 242 and torque item 5 to 354 ± 17.5 lb-in (40 ± 2 Nm).
- Be sure not to scratch or damage the spool

For series and series-parallel spools

- Assemble the o-ring (90 shore, 0.070" x 0.426") supplied with the spool, and apply 1 drop of LOCTITE 242.
- Be sure to avoid applying Loctite to the o-ring area.
- Torque item 5 to 354 ± 17.5 lb-in (40 ± 2 Nm).
- Be sure not to scratch or damage the spool.

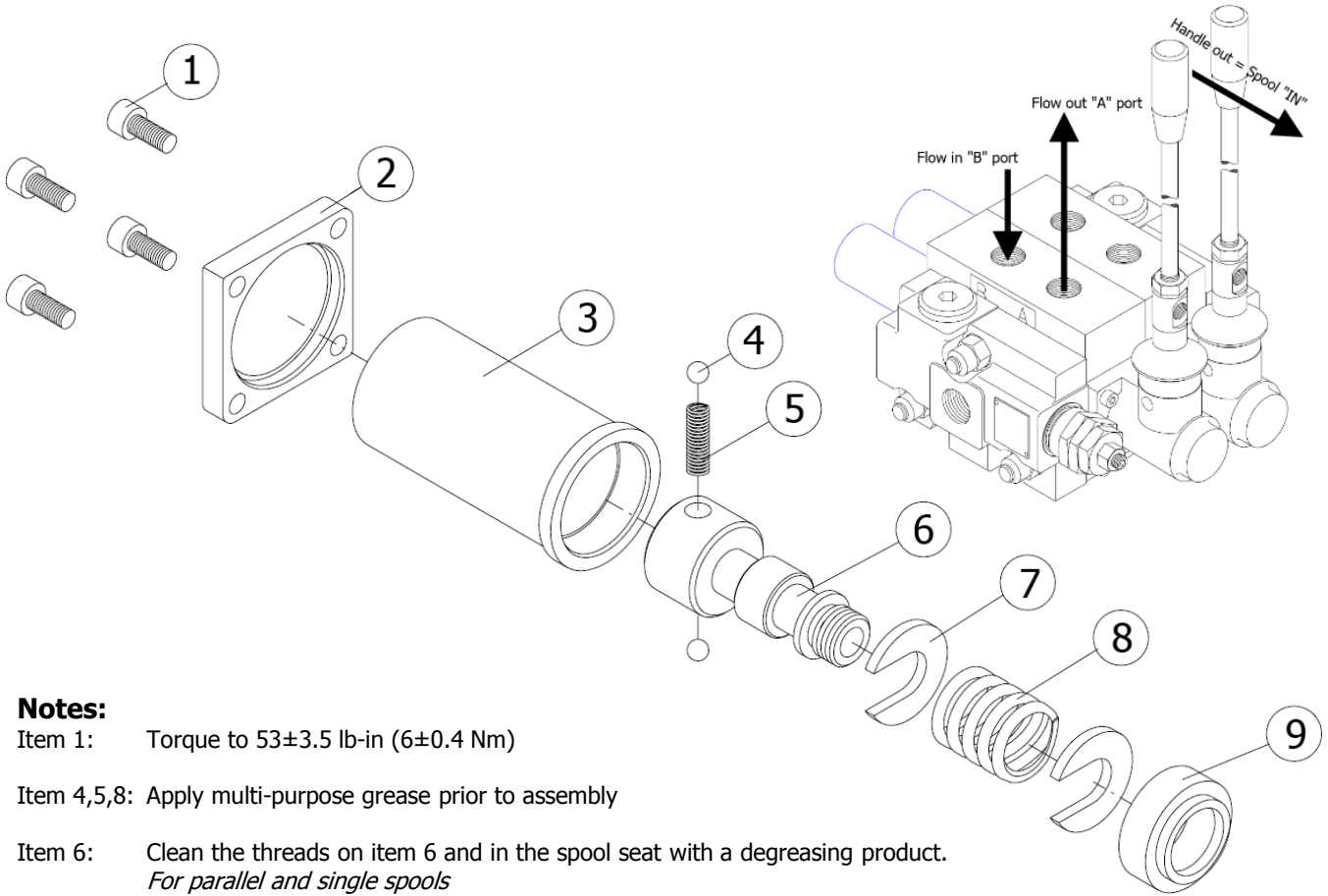
Item No	Part Number	Description	Qty
1	100005012	Screw, M5x12 gr. 8.8 (UNI 5931)	4
2	06-048-30406	Back-cap housing	1
N/A	060002801501	3 position, spring return sub-assembly	
3	06-020-23146	Positioning spring	1
4	06-019-23145	washer for spring compressing	2
5	06-014-28015	Back-cap spool connector	1
6	06-019-27949	Spacer bushing	1



V130 Series Back-Cap Kit

Detent Spool "IN", Spring Spool "OUT"

V130-BC-06



Notes:

Item 1: Torque to 53±3.5 lb-in (6±0.4 Nm)

Item 4,5,8: Apply multi-purpose grease prior to assembly

Item 6: Clean the threads on item 6 and in the spool seat with a degreasing product.

For parallel and single spools

- Apply 2 drops of LOCTITE 242 and torque item 6 to 354 ± 17.5 lb-in (40 ± 2 Nm).
- Be sure not to scratch or damage the spool

For series and series-parallel spools

- Assemble the o-ring (90 shore, 0.070" x 0.426") supplied with the spool, and apply 1 drop of LOCTITE 242.
- Be sure to avoid applying Loctite to the o-ring area.
- Torque item 6 to 354 ± 17.5 lb-in (40 ± 2 Nm).
- Be sure not to scratch or damage the spool.

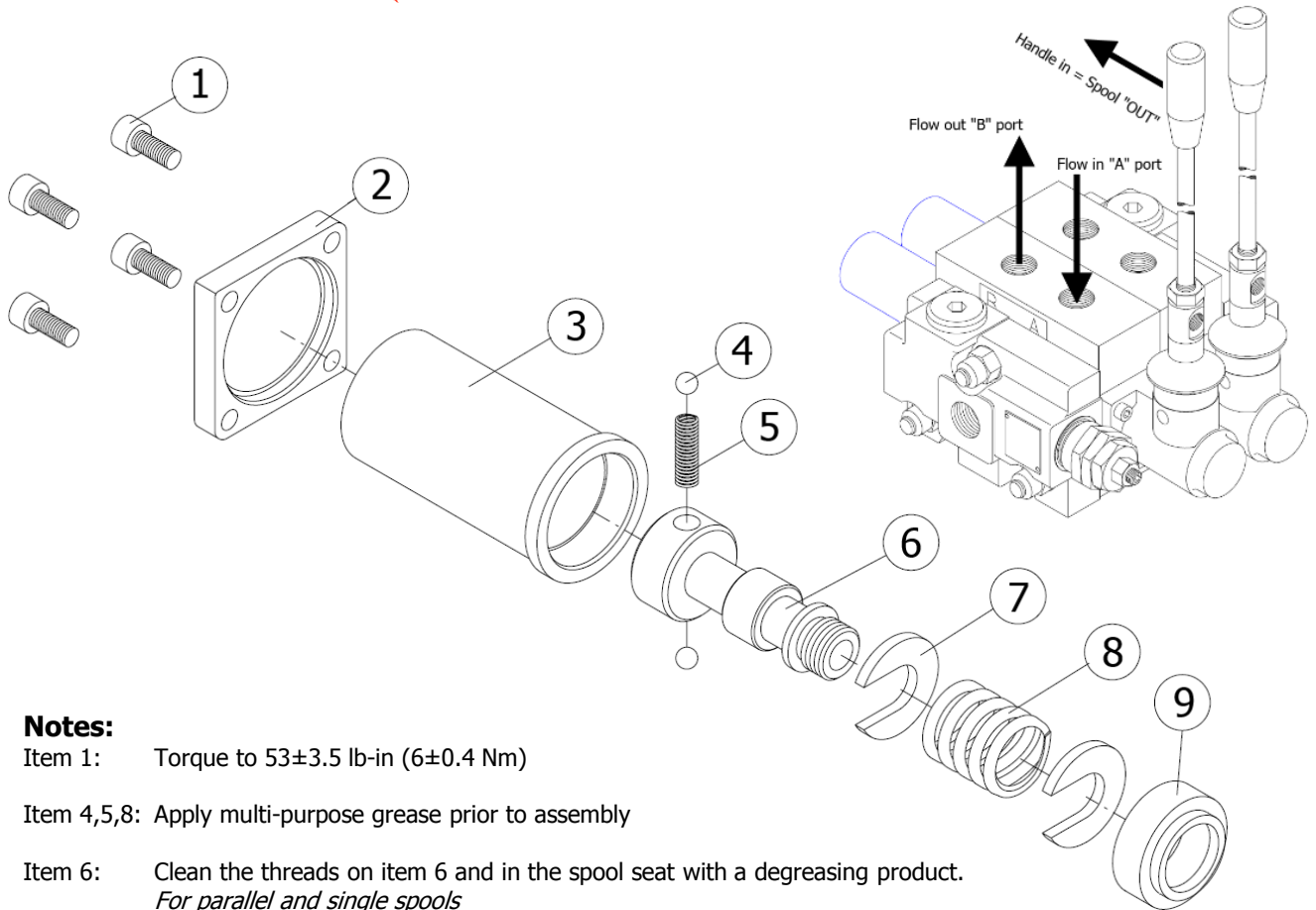
Item No	Part Number	Description	Qty
1	100005012	Screw, M5x12 gr. 8.8 (UNI 5931)	4
2	06-048-31780	Back-cap mounting plate	1
3	06-006-23174	Spool "IN" back-cap housing	1
4	450007	Detent ball	2
5	06-020-25333	Detent spring	1
6	06-014-23176	Spool connector for spool "IN" back-cap	1
7	06-019-23145	Washer for spring compressing	2
8	06-020-23146	Positioning spring	1
9	06-019-27949	Spacer bushing	1



V130 Series Back-Cap Kit

Detent Spool "OUT", Spring Spool "IN"

V130-BC-07



Notes:

Item 1: Torque to 53±3.5 lb-in (6±0.4 Nm)

Item 4,5,8: Apply multi-purpose grease prior to assembly

Item 6: Clean the threads on item 6 and in the spool seat with a degreasing product.

For parallel and single spools

- Apply 2 drops of LOCTITE 242 and torque item 6 to 354 ± 17.5 lb-in (40 ± 2 Nm).
- Be sure not to scratch or damage the spool

For series and series-parallel spools

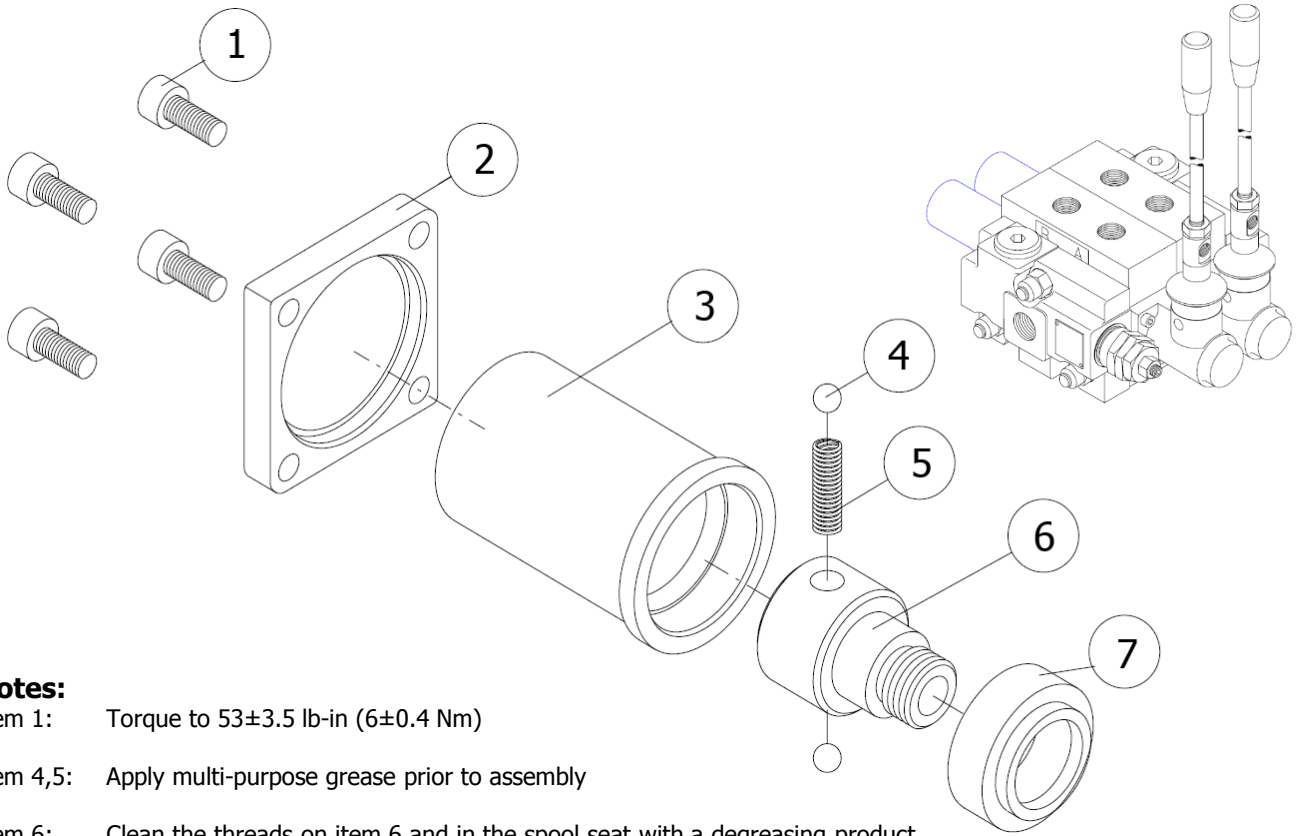
- Assemble the o-ring (90 shore, 0.070" x 0.426") supplied with the spool, and apply 1 drop of LOCTITE 242.
- Be sure to avoid applying Loctite to the o-ring area.
- Torque item 6 to 354 ± 17.5 lb-in (40 ± 2 Nm).
- Be sure not to scratch or damage the spool.

Item No	Part Number	Description	Qty
1	100005012	Screw, M5x12 gr. 8.8 (UNI 5931)	4
2	06-048-31780	Back-cap mounting plate	1
3	06-006-23175	Spool "OUT" back-cap housing	1
4	450007	Detent ball	2
5	06-020-25333	Detent spring	1
6	06-014-27506	Spool connector for spool "OUT" back-cap	1
7	06-019-23145	Washer for spring compressing	2
8	06-020-23146	Positioning spring	1
9	06-019-27949	Spacer bushing	1



V130 Series Back-Cap Kit 3 Position Detent

V130-BC-08



Notes:

- Item 1: Torque to 53±3.5 lb-in (6±0.4 Nm)
- Item 4,5: Apply multi-purpose grease prior to assembly
- Item 6: Clean the threads on item 6 and in the spool seat with a degreasing product.
 - For parallel and single spools*
 - Apply 2 drops of LOCTITE 242 and torque item 6 to 354 ± 17.5 lb-in (40 ± 2 Nm).
 - Be sure not to scratch or damage the spool
 - For series and series-parallel spools*
 - Assemble the o-ring (90 shore, 0.070" x 0.426") supplied with the spool, and apply 1 drop of LOCTITE 242.
 - Be sure to avoid applying Loctite to the o-ring area.
 - Torque item 6 to 354 ± 17.5 lb-in (40 ± 2 Nm).
 - Be sure not to scratch or damage the spool.

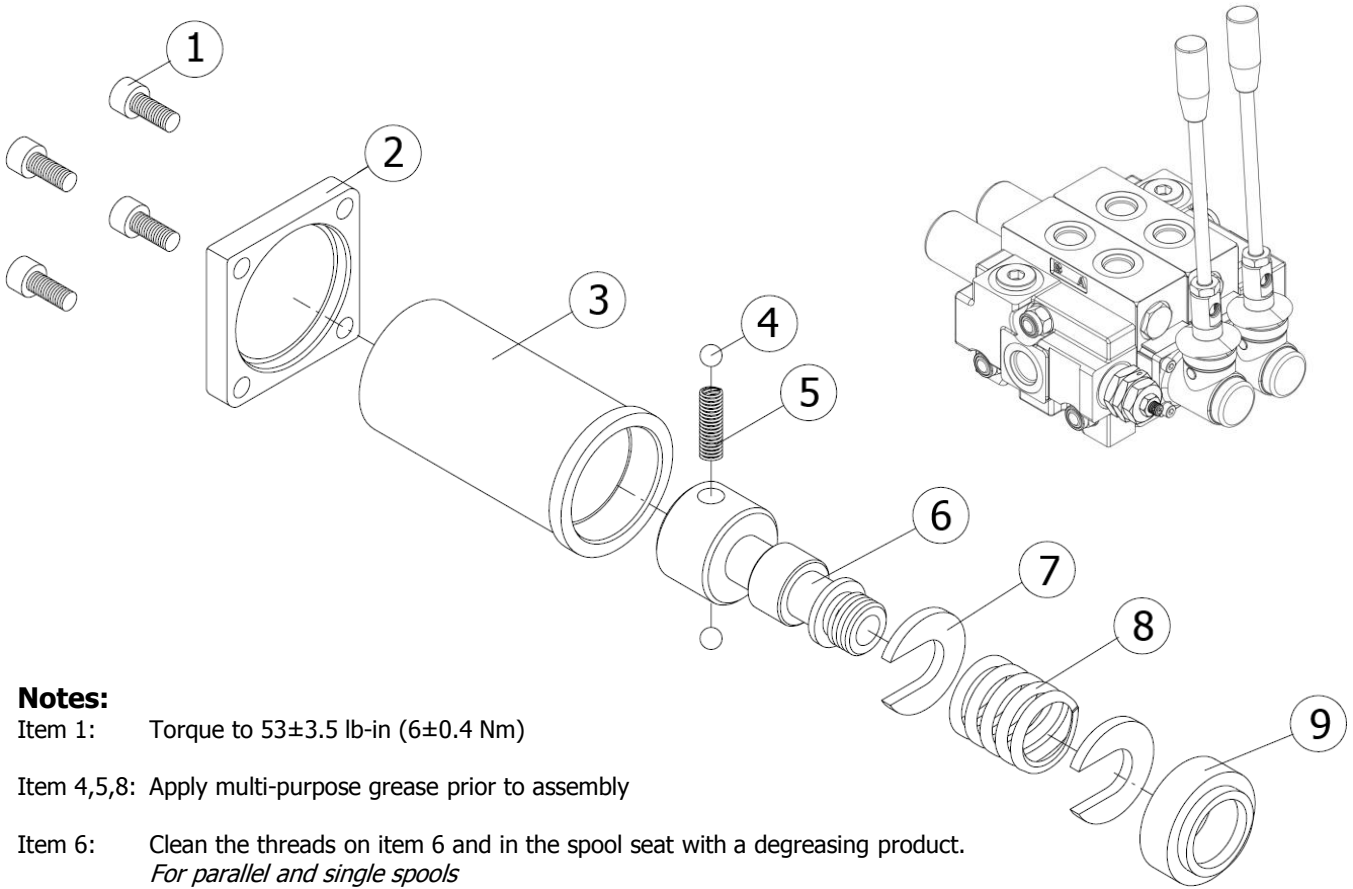
Item No	Part Number	Description	Qty
1	100005012	Screw, M5x12 gr. 8.8 (UNI 5931)	4
2	06-048-31780	Back-cap mounting plate	1
3	06-006-23167	3 position detent back-cap sleeve	1
4	450007	Detent ball	2
5	06-020-25333	Detent spring	1
6	06-014-23171	Spool connector for 3 pos. detent back-cap	1
7	06-019-27949	Spacer bushing	1



V130 Series Back-Cap Kit

3 Position Spring Return w/ 4th pos. float

V130-BC-12



Notes:

Item 1: Torque to 53±3.5 lb-in (6±0.4 Nm)

Item 4,5,8: Apply multi-purpose grease prior to assembly

Item 6: Clean the threads on item 6 and in the spool seat with a degreasing product.

For parallel and single spools

- Apply 2 drops of LOCTITE 242 and torque item 6 to 354 ± 17.5 lb-in (40 ± 2 Nm).
- Be sure not to scratch or damage the spool

For series and series-parallel spools

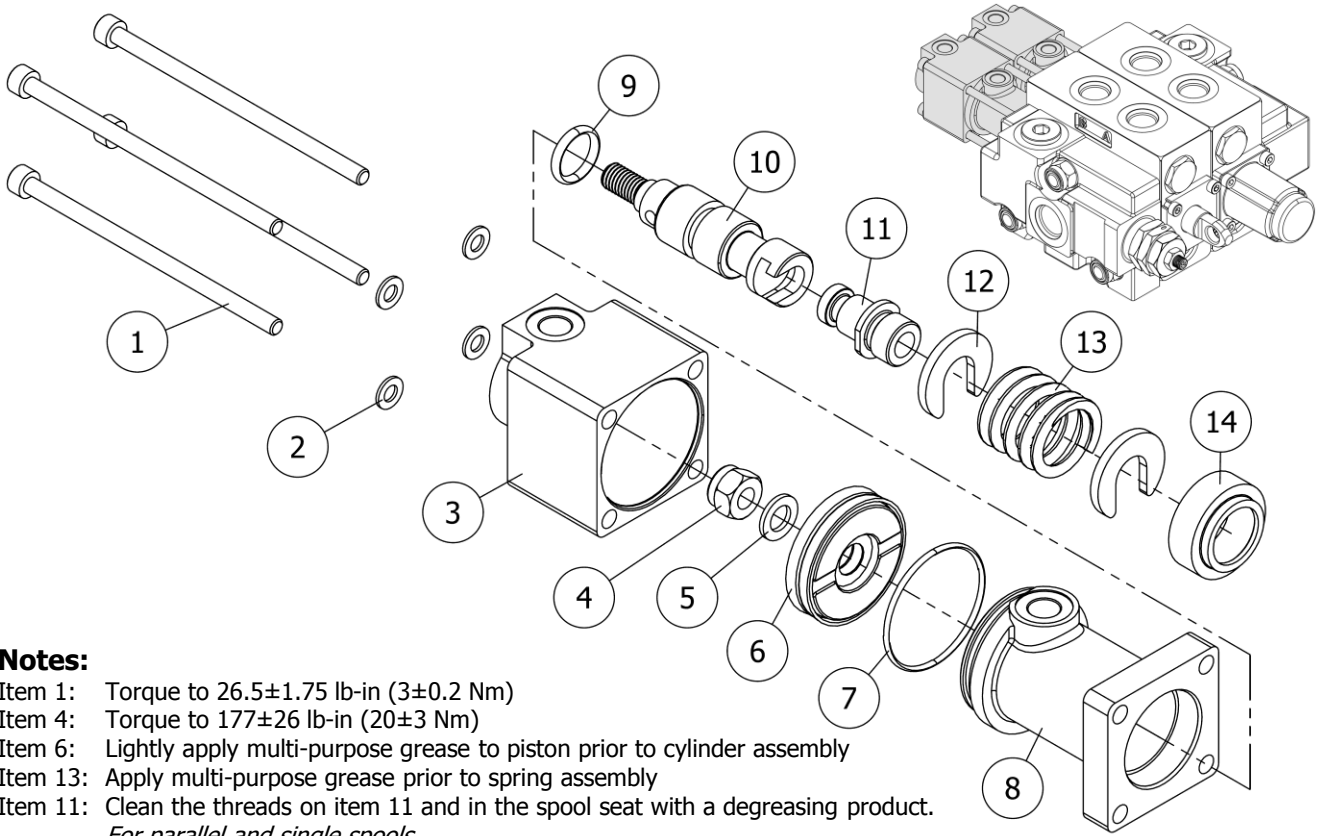
- Assemble the o-ring (90 shore, 0.070" x 0.426") supplied with the spool, and apply 1 drop of LOCTITE 242.
- Be sure to avoid applying Loctite to the o-ring area.
- Torque item 6 to 354 ± 17.5 lb-in (40 ± 2 Nm).
- Be sure not to scratch or damage the spool.

Item No	Part Number	Description	Qty
1	100005012	Srew, M5x12 gr. 8.8 (UNI 5931)	4
2	06-048-31780	Back-cap mounting plate	1
3	06-006-28810	Float spool back-cap housing	1
4	450007	Detent ball	2
5	06-020-25333	Detent spring	1
6	06-014-28809	Spool connector for 4 th pos. float back-cap	1
7	06-019-23145	Washer for spring compressing	2
8	06-020-23220	Positioning spring	1
9	06-019-27949	Spacer bushing	1



V130 Series Back-Cap Kit Pneumatic Shift

V130-BC-33



Notes:

Item 1: Torque to 26.5±1.75 lb-in (3±0.2 Nm)

Item 4: Torque to 177±26 lb-in (20±3 Nm)

Item 6: Lightly apply multi-purpose grease to piston prior to cylinder assembly

Item 13: Apply multi-purpose grease prior to spring assembly

Item 11: Clean the threads on item 11 and in the spool seat with a degreasing product.

For parallel and single spools

- Apply 2 drops of LOCTITE 242 and torque item 11 to 354 ± 17.5 lb-in (40 ± 2 Nm).
- Be sure not to scratch or damage the spool

For series and series-parallel spools

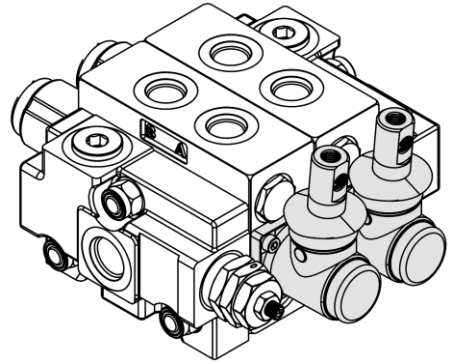
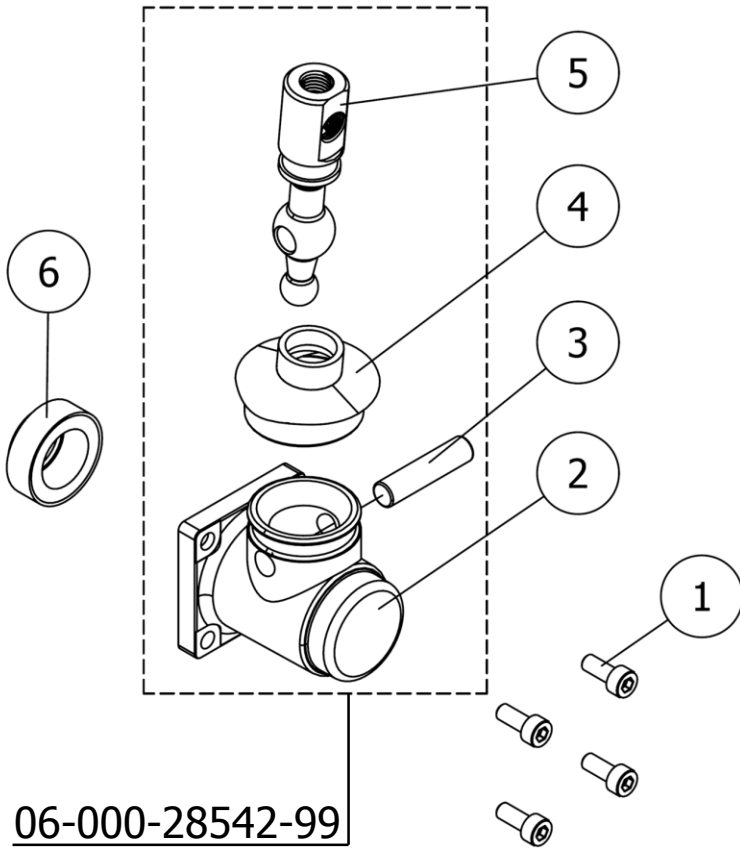
- Assemble the o-ring (90 shore, 0.070" x 0.426") supplied with the spool, and apply 1 drop of LOCTITE 242.
- Be sure to avoid applying Loctite to the o-ring area.
- Torque item 11 to 354 ± 17.5 lb-in (40 ± 2 Nm).
- Be sure not to scratch or damage the spool.

Item No	Part Number	Description	Qty
1	100005100	Screw, M5x100 gr. 8.8 (UNI 5931)	4
2	305005	Washer, 5mm ID x 10MM OD	4
3	06-037-32350	pneumatic control cylinder housing	1
4	210108	lock nut, M8 thread	1
5	308008	Washer, 8mm ID x 14mm OD	1
6	NADUOP401085	Piston for pneumatic control	1
7	OR70-028	O-ring, 70 shore, 1.78x34.65mm	1
8	06-016-32351	pneumatic control positioner housing	1
9	OR90-112	O-ring, 90 shore, 2.62x12.37mm	1
10	06-029-32349	Piston rod for pneumatic cylinder	1
11	06-025-23193	Spool connector for pneumatic control	1
12	06-019-23145	washer for spring compressing	2
13	06-020-27407	pneumatic positioning spring (proportional or on/off)	1
14	06-019-27949	Spacer bushing	1



V130 Series Spool Control Kit Handle Control Actuator

V130-CT-AA



06-000-28542-99

Notes:

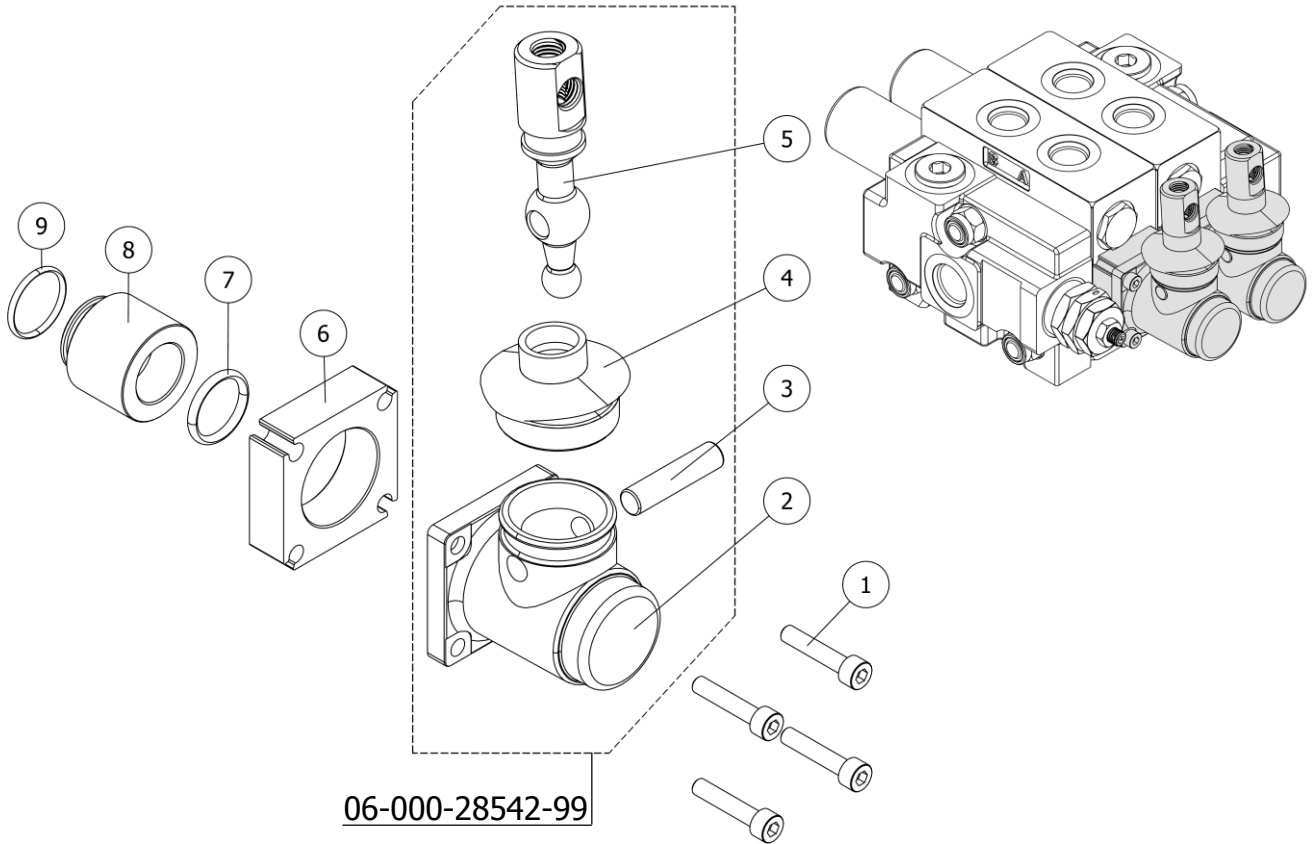
Item 1: Torque to 53±3.5 lb-in (6±0.4 Nm)

Item No	Part Number	Description	Qty
1	100005012	Screw, M5x12 gr. 8.8 (UNI 5931)	4
N/A	06-000-28542-99	Handle control actuator sub-assembly	
2	06-031-30404	Control type housing & spool cover	1
3	06-025-28653	Pivot pin	1
4	06-093-28172	Rubber dust boot	1
5	06-026-28170	Handle receiver & spool connector	1
6	06-019-27949	Spacer bushing	1



V130 Series Spool Control Kit Handle Control Actuator for float pool

V130-CT-AB



Notes:

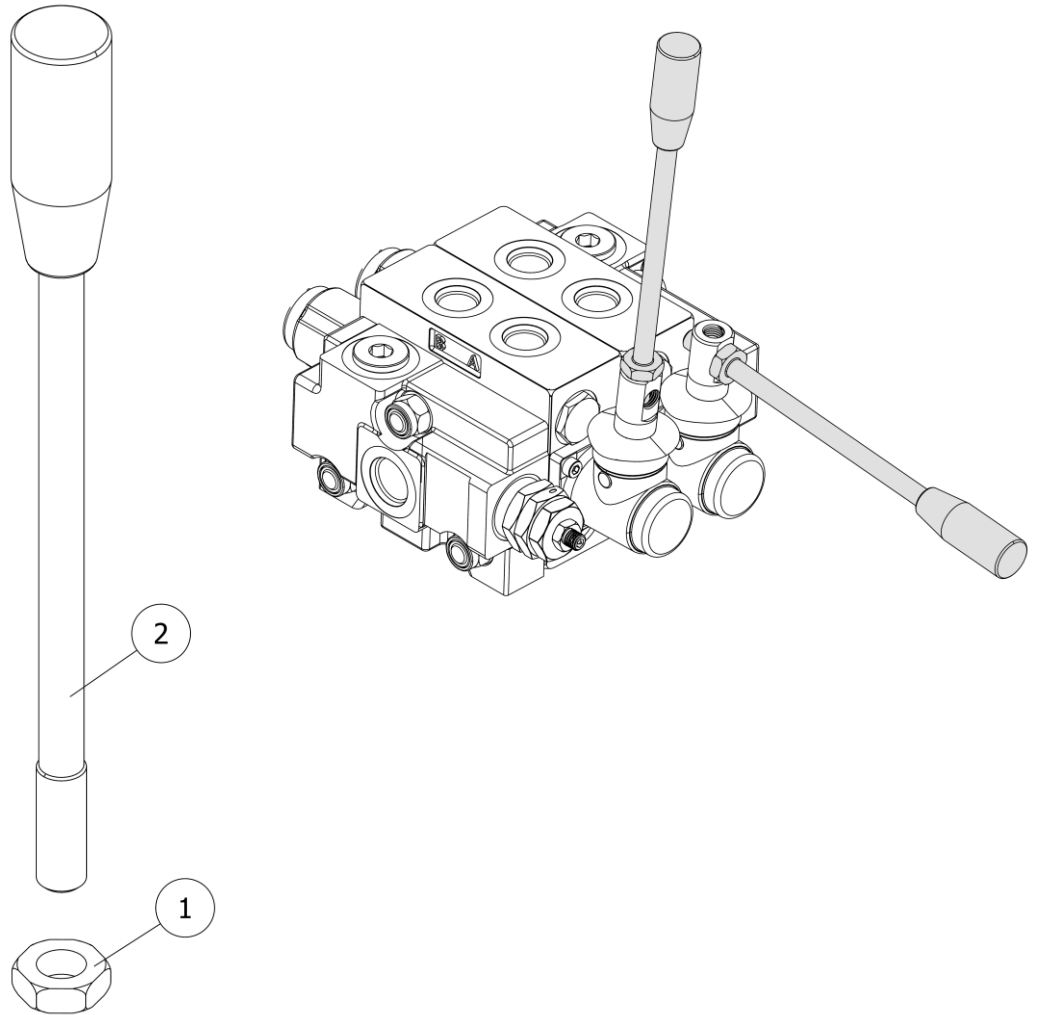
Item 1: Torque to 53±3.5 lb-in (6±0.4 Nm)

Item No	Part Number	Description	Qty
1	100005025	Screw, M5x25 gr. 8.8 (UNI 5931)	4
N/A	06-000-28542-99	Handle control actuator sub-assembly	
2	06-031-30404	Control type housing & spool cover	1
3	06-025-28653	Pivot pin	1
4	06-093-28172	Rubber dust boot	1
5	06-026-28170	Handle receiver & spool connector	1
6	06-079-23178	Spacer for 4 th position float spool control	1
7	OR90-211	O-ring, 90 shore, 0.139"x0.796" (3.53x20.22mm)	1
8	06-019-28811	Spacer bushing for 4 th position float spool control	1
9	OR70-020	O-ring, 70 shore, 0.070"x0.864" (1.78x21.95mm)	1



Handle Kit

VLVH-01A-210

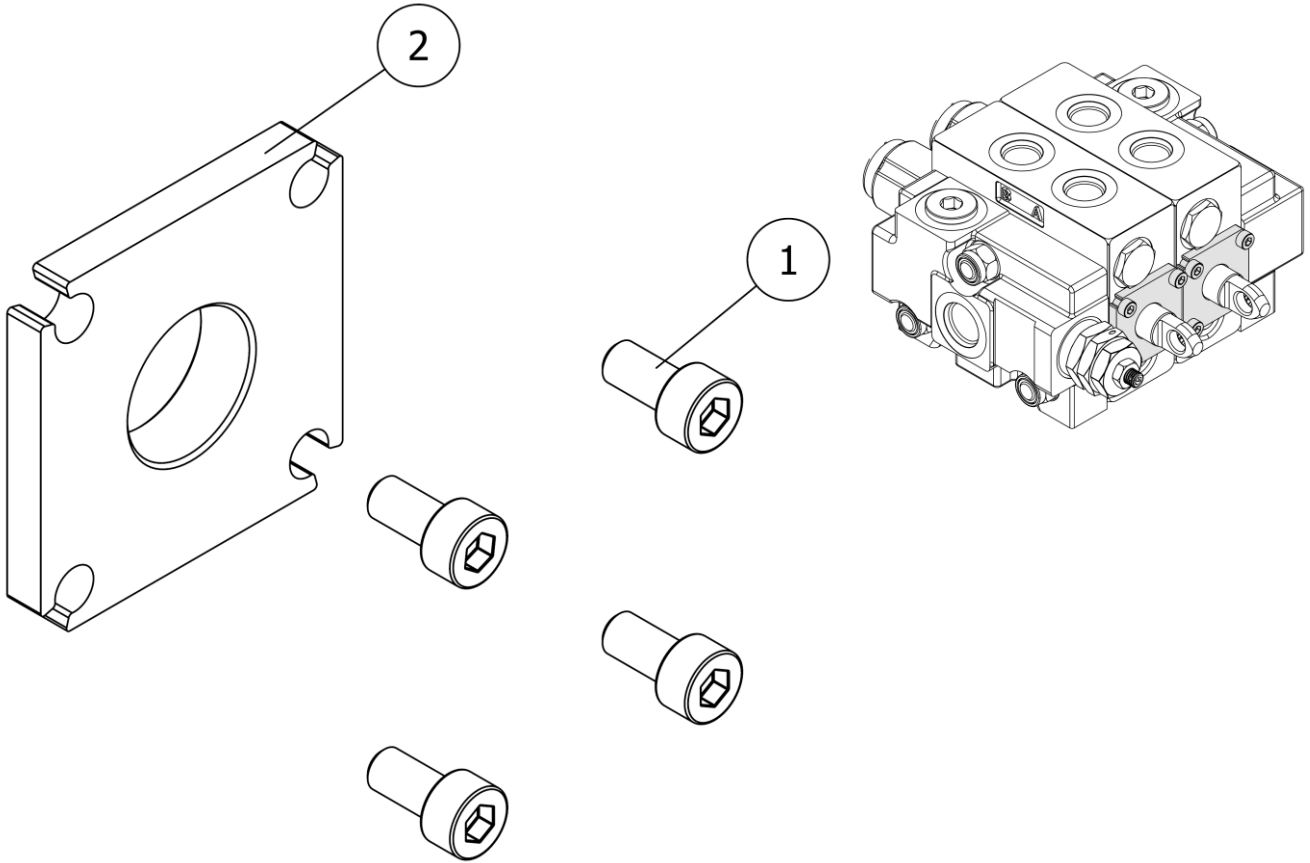


Item No	Part Number	Description	Qty
1	204010	Jam-nut, M10 thread (UNI 5589)	1
2	06-029-27013	Control handle	1



V130 Series Spool Control Kit Direct Spool Connection

V130-CT-AJ



Notes:

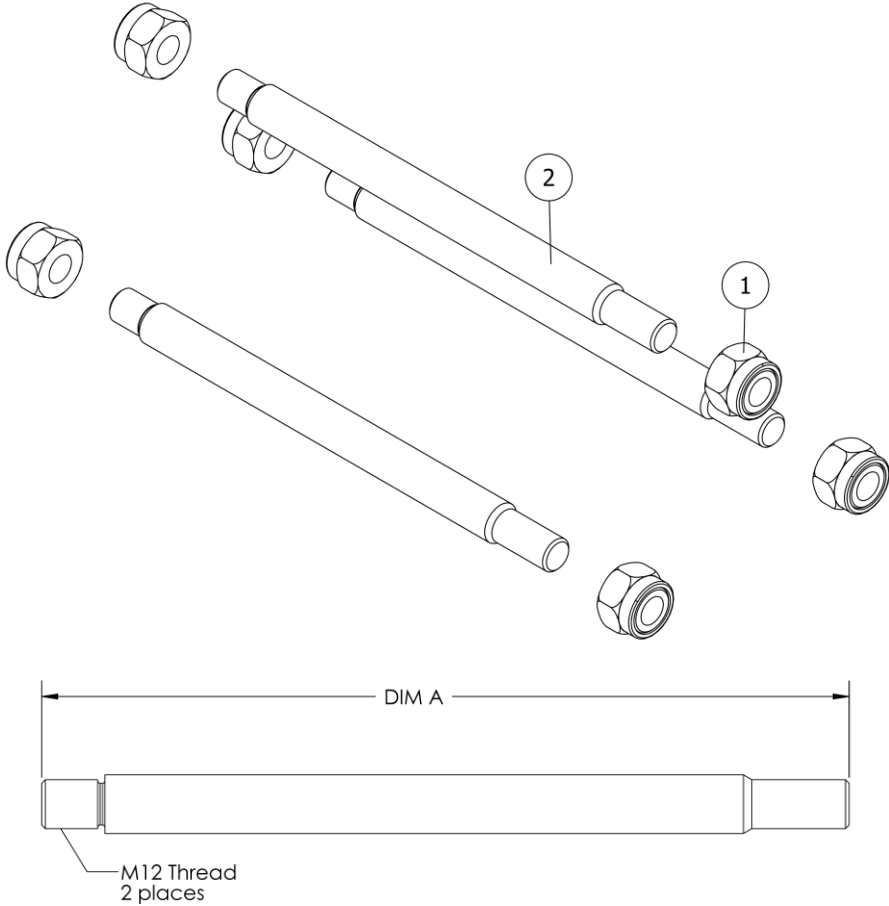
Item 1: Torque to 53±3.5 lb-in (6±0.4 Nm)

Item No	Part Number	Description	Qty
1	100005010	Screw, M5x10 gr. 8.8 (UNI 5931)	4
2	06-079-31756	Mounting plate for direct spool connection	1



V130 Series Stud Kits

V130-T**



Notes:

Item 1: Torque to 619±44 lb-in (70±5 Nm)

Item No	Part No.	Description	Qty	Kit Part No.	DIM A in (mm)
1	210112	Lock-Nut, M12 (UNI 7473)	6	N/A	N/A
2	06-024-27950-01	Stud for 1 w.s. assy	3	V130-T01	5.6 (143)
	06-024-27950-02	Stud for 2 w.s. assy	3	V130-T02	7.5 (191)
	06-024-27950-03	Stud for 3 w.s. assy	3	V130-T03	9.4 (239)
	06-024-27950-04	Stud for 4 w.s. assy	3	V130-T04	11.3 (287)
	06-024-27950-05	Stud for 5 w.s. assy	3	V130-T05	13.2 (335)
	06-024-27950-06	Stud for 6 w.s. assy	3	V130-T06	15.1 (383)
	06-024-27950-07	Stud for 7 w.s. assy	3	V130-T07	17.0 (431)
	06-024-27950-08	Stud for 8 w.s. assy	3	V130-T08	18.9 (479)
	06-024-27950-09	Stud for 9 w.s. assy	3	V130-T09	20.7 (527)
	06-024-27950-10	Stud for 10 w.s. assy	3	V130-T10	22.6 (575)