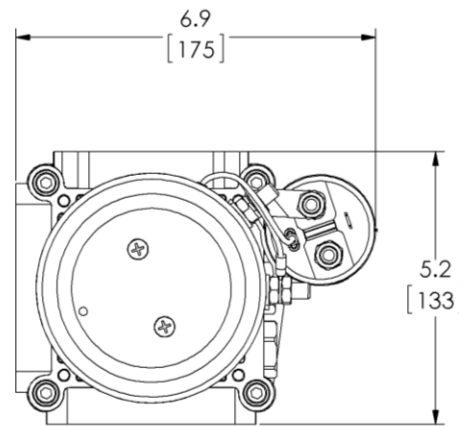
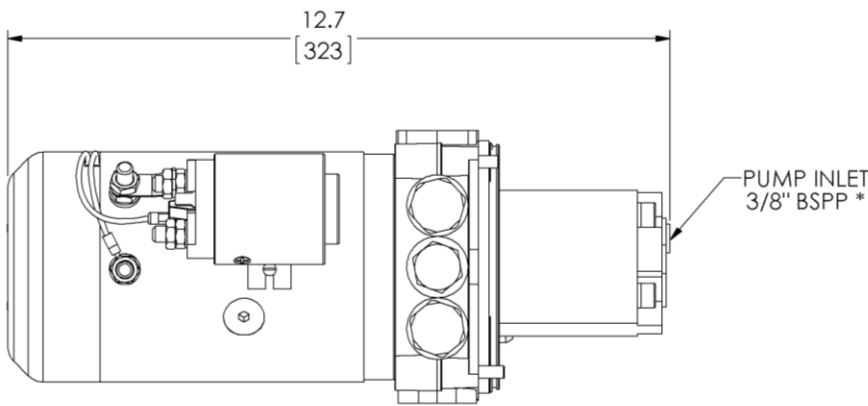
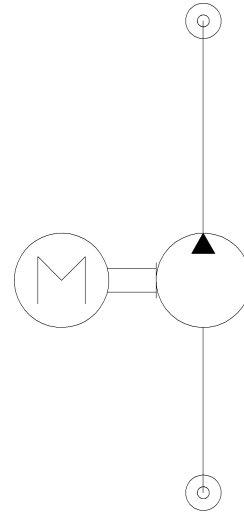
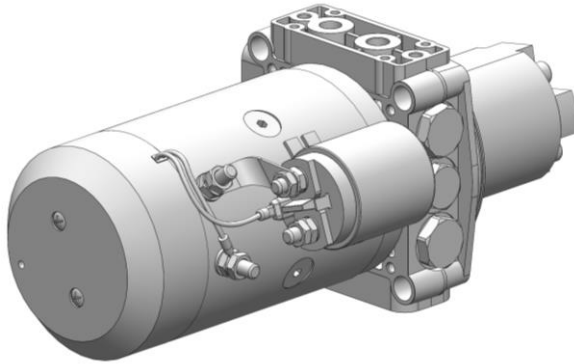




Hydraulic Power Packs

LP1A-0HXX06-000-A

- Auxiliary Power Supply Application
- Pump/Motor Only
- 12V Motor with Relay
- 2cc Pump
- Horizontal Mounting



* P/N BPMJ68P BSPP TO JIC CONVERSION FITTING PROVIDED STANDARD

Available Options

Power Pack	Motor	Function	Mounting Position	Reservoir Type	Reservoir Size	Pump	Assembly Code	Control
LP1	A	0	H	X	X	06	000	A
	See Pg. 20 -22		See Pg. 3	See Pg. 14 -15	See Pg. 14 - 15	See Pg. 3		See Pgs. 24