

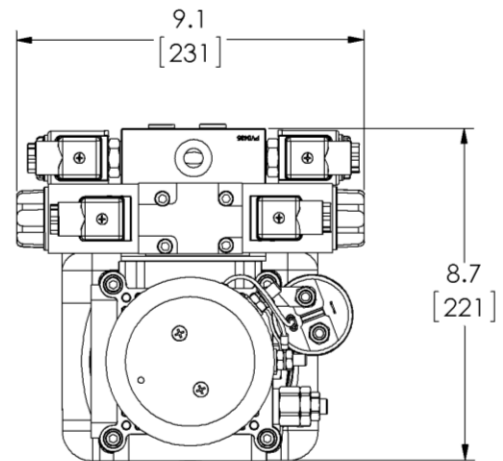
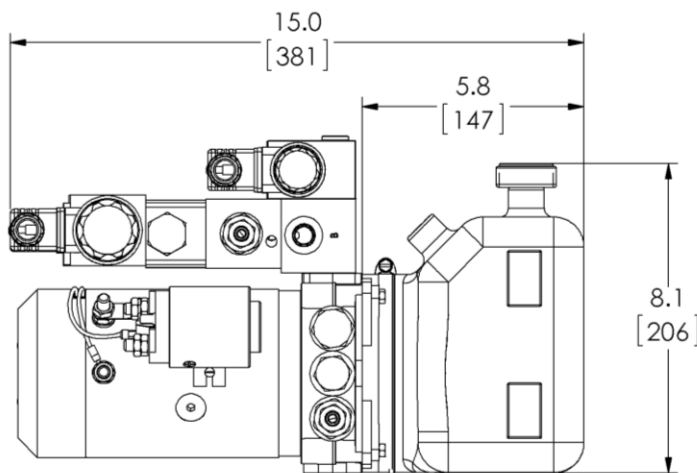
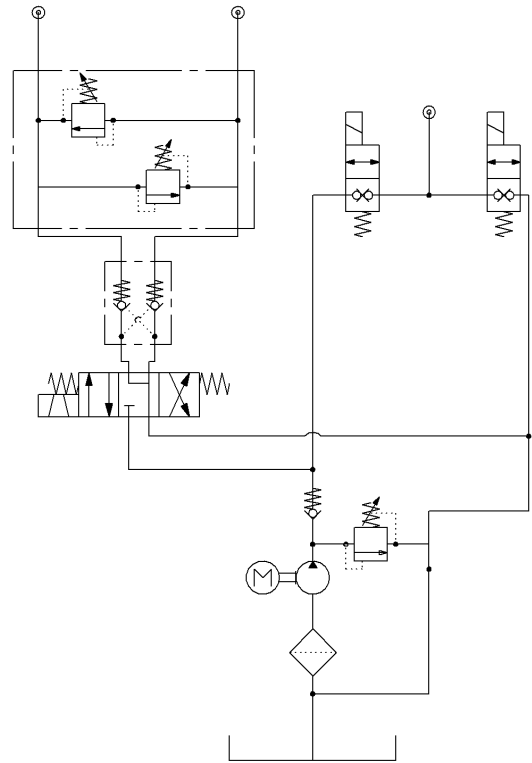
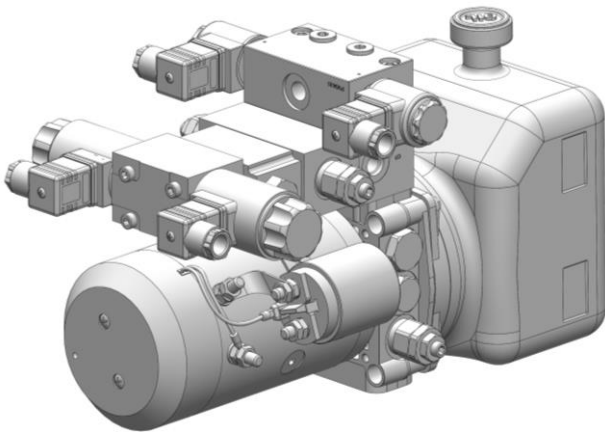


Hydraulic Power Packs

LP1A-2HPF06-100-C

Basic Snow Plow Application

- 1.5 Qt. Poly Reservoir
- Pilot Operated Check Valves
- Cross-Over Relief Valves
- Plow Function – Up/Down and Left/Right
- 4-Button Electrical Control
- 12V Motor with Relay
- 2cc Pump
- Horizontal Mounting



Available Options

| Power Pack | Motor | Function | Mounting Position | Reservoir Type | Reservoir Size | Pump | Assembly Code | Control |
|------------|----------------|----------|-------------------|----------------|-----------------|-----------|---------------|-------------|
| LP1 | A | 2 | H | P | F | 06 | 100 | C |
| | See Pg. 20 -22 | | See Pg. 3 | See Pg. 14 -15 | See Pg. 14 - 15 | See Pg. 3 | | See Pgs. 25 |