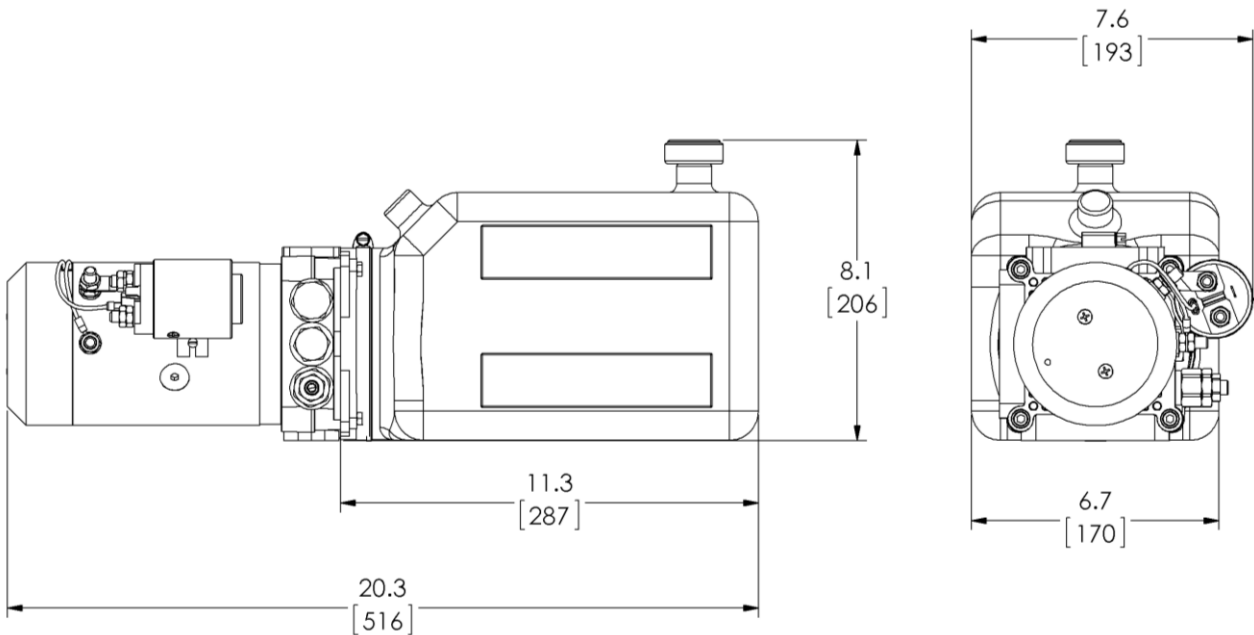
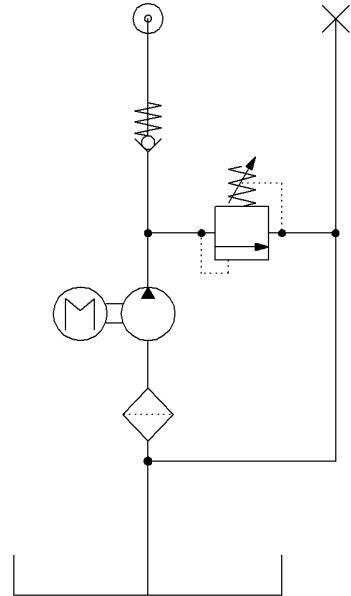
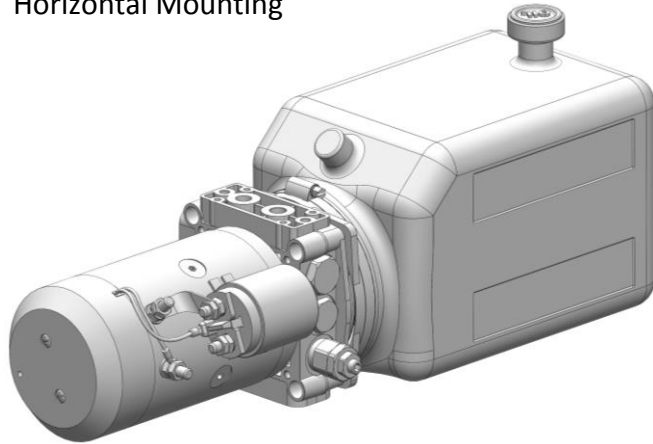




# Hydraulic Power Packs

## LP1A-2HPJ06-000-A

- Multi-Function Auxiliary Power Supply
- 5.3 Qt. Poly-Reservoir
- Check and Relief Valve
- Central Manifold to accept NFPA-D03 Directional Control Valves (-6 ODT Porting)
- 12V Motor with Relay
- 2cc Pump
- Horizontal Mounting



### Available Options

| Power Pack | Motor          | Function | Mounting Position | Reservoir Type | Reservoir Size | Pump      | Assembly Code | Control     |
|------------|----------------|----------|-------------------|----------------|----------------|-----------|---------------|-------------|
| LP1        | A              | 2        | H                 | P              | J              | 06        | 000           | A           |
|            | See Pg. 20 -22 |          | See Pg. 3         | See Pg. 14 -15 | See Pg. 14 -15 | See Pg. 3 |               | See Pgs. 24 |