

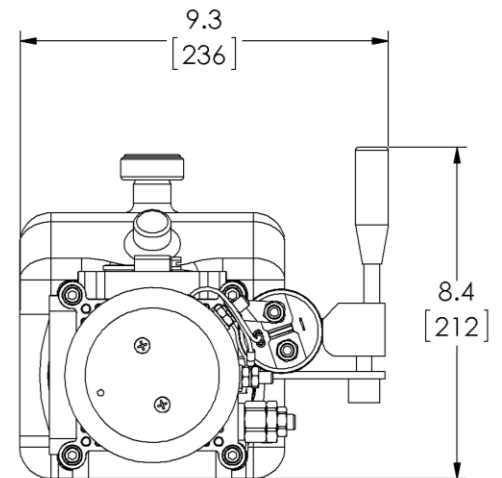
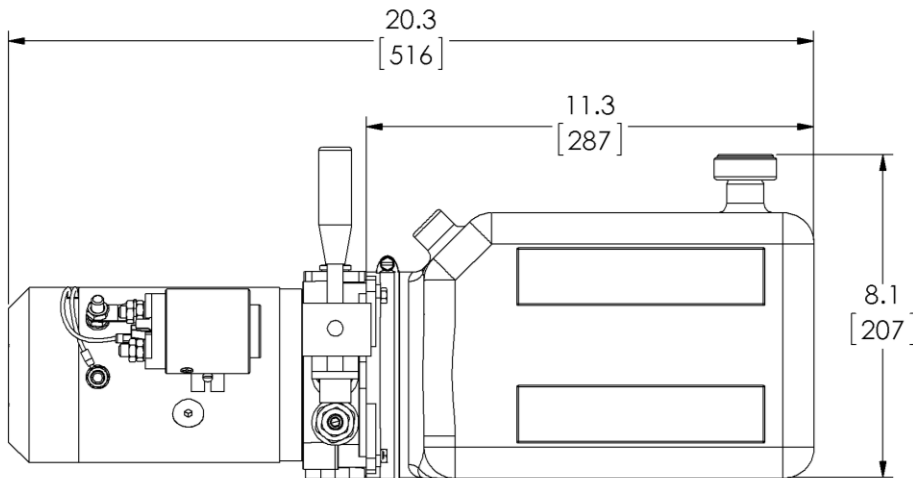
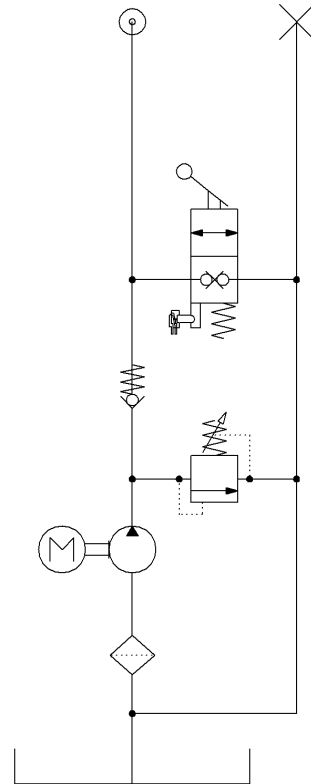
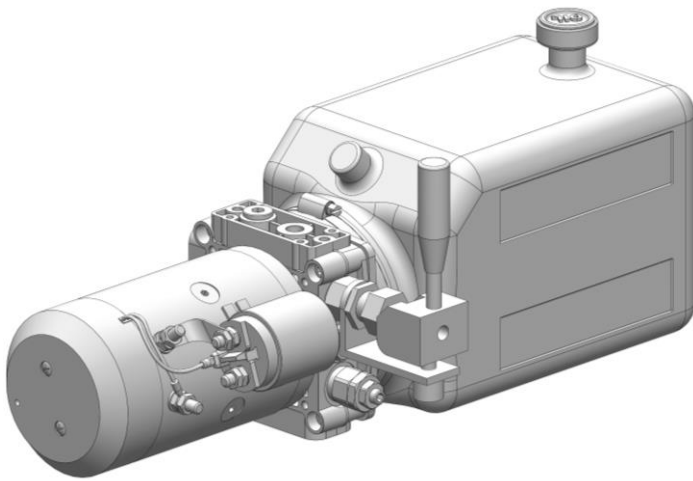


Hydraulic Power Packs

LP1A-3HPJ06-060-M

Single Acting Cylinder Application

- 5.3 Qt. Poly-Reservoir
- Check and Relief Valve
- 2 Position 2 Way
- Manual Hand Control
- 12V Motor with Relay
- 2cc Pump
- Horizontal Mounting



Available Options

Power Pack	Motor	Function	Mounting Position	Reservoir Type	Reservoir Size	Pump	Assembly Code	Control
LP1	A	3	H	P	J	06	060	M
	See Pg. 20 -22		See Pg. 3	See Pg. 14 -15	See Pg. 14 - 15	See Pg. 3		Manual