



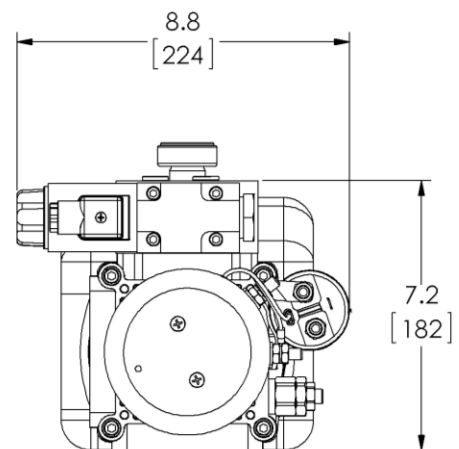
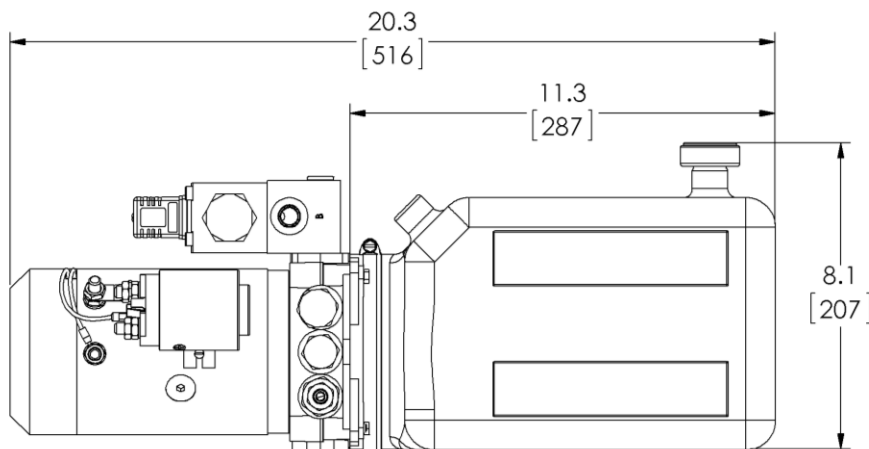
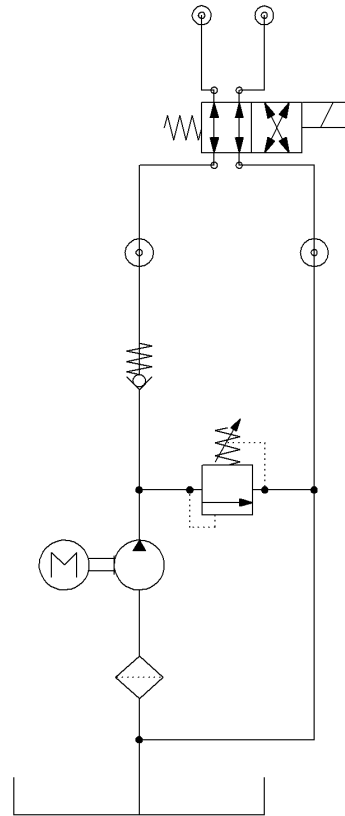
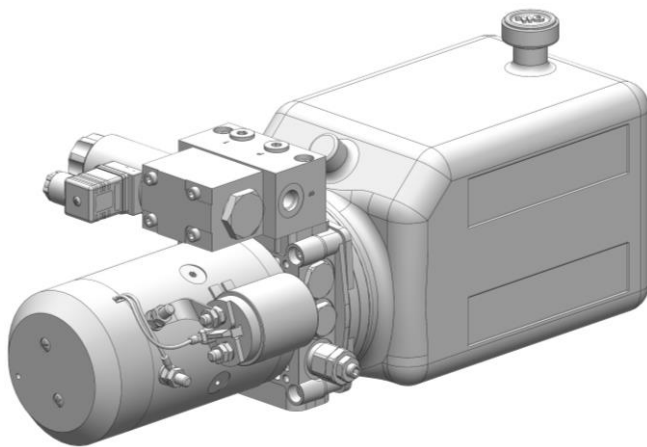
Hydraulic Power Packs

LP1A-4HPJ06-000-C

Double Acting Cylinder Application*

- 5.3 Qt. Poly-Reservoir
- Check and Relief Valve
- 2 Position 4 Way
- Corded Control
- 12V Motor with Relay
- 2cc Pump
- Horizontal Mounting

*Do not use for dump body applications requiring downside relief.



Available Options

Power Pack	Motor	Function	Mounting Position	Reservoir Type	Reservoir Size	Pump	Assembly Code	Control
LP1	A	4	H	P	J	06	000	C
	See Pg. 20 -22		See Pg. 3	See Pg. 14 -15	See Pg. 14 - 15	See Pg. 3		See Pgs. 24