

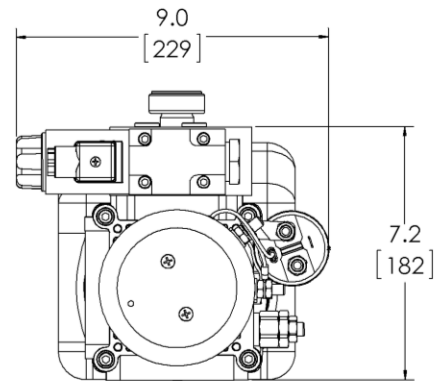
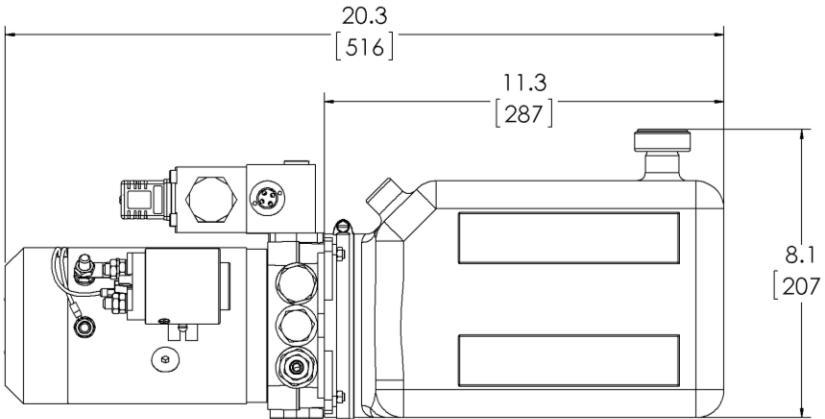
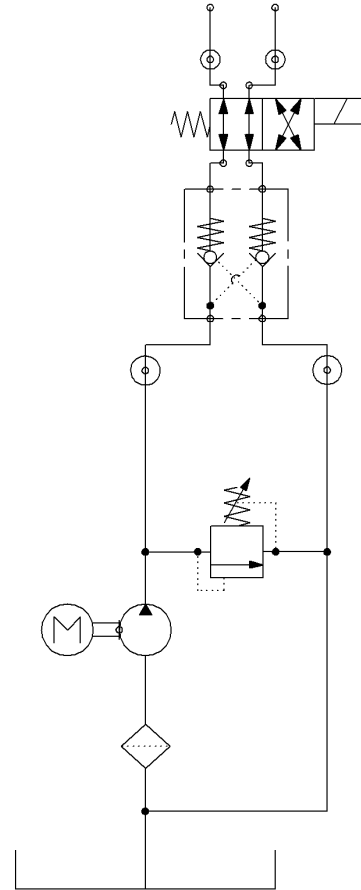
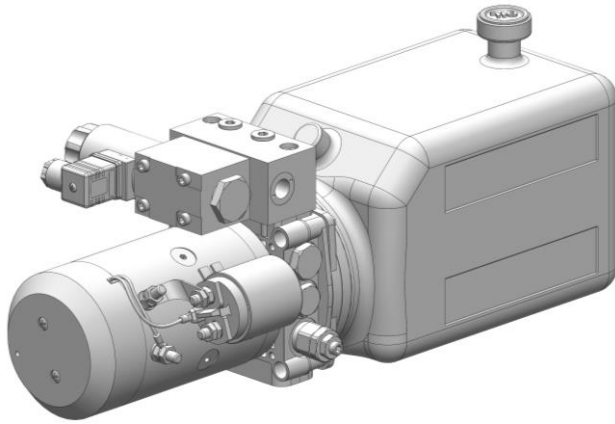


Hydraulic Power Packs

LP1A-4HPJ06-020-C

Double Acting Cylinder Application (with P.O. Check)

- 5.3 Qt. Poly-Reservoir
- Pilot Operated Check Valves
- Relief Valve
- 2 Position 4 Way
- Corded Control
- 12V Motor with Relay
- 2cc Pump
- Horizontal Mounting



Available Options

| Power Pack | Motor | Function | Mounting Position | Reservoir Type | Reservoir Size | Pump | Assembly Code | Control |
|------------|----------------|----------|-------------------|----------------|-----------------|-----------|---------------|-------------|
| LP1 | A | 4 | H | P | J | 06 | 020 | C |
| | See Pg. 20 -22 | | See Pg. 3 | See Pg. 14 -15 | See Pg. 14 - 15 | See Pg. 3 | | See Pgs. 24 |