

SHAFT EXTENSIONS

FOR 10-BOLT POWER TAKE-OFFS



MAXIMUM CLEARANCE AND SIMPLE INSTALLATION

Muncie's PTO shaft extensions for the Allison 3000 and 4000 Series transmission provide easier hydraulic pump installation by moving the hydraulic pump mount to the rear of the transmission. Shaft Extensions are available for most Allison 3000 & 4000 Series transmission² applications and popular pump mounts.



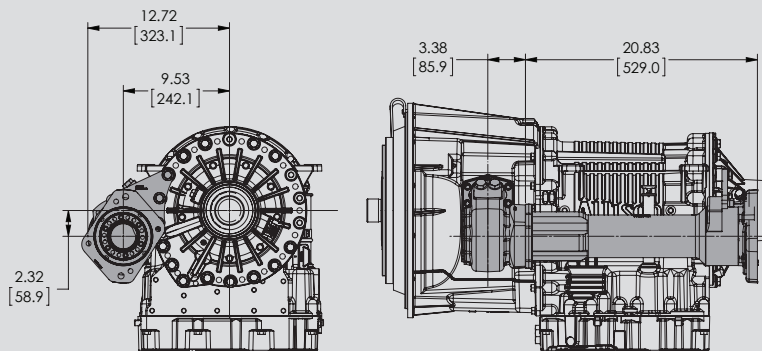
KEY FEATURES

- Direct mount large gear or piston type hydraulic pumps.
- Eliminates the driveline and driveline maintenance while reducing installation time and exposure to moving parts.
- SAE "B", SAE "B-B", SAE "C" and DIN 5462 outputs.
- Extended Shaft options are available for CD10 Series heavy-duty, constant mesh or CS10, CS24 & CS41 clutch shift power take-offs.
- Perfect for solid waste, snow and ice control, utility equipment dump bodies and many other applications.

NOTES

1. Transmission must have rear support installed as supplied by the vehicle manufacturer.
2. Allison 4000 Series: ES not currently available for the 7 speed HD4700 transmission. Not currently available for any 4000 retarder or units with rear-mounted oil coolers.
3. All ES Kits are for shaft low PTO arrangements. "3" on left side and "1" on right side.

CD10 SERIES FOR ALLISON 3000 WITHOUT RETARDER OR REAR COOLER

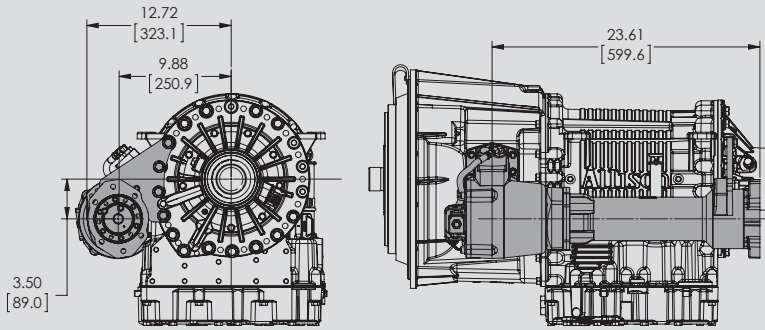


LEFT SIDE OPENING	OUTPUT	RIGHT SIDE OPENING
CD10-A10**-M3VX	Allison 3000 (MD)	CD10-A10**-M1VX
49TA5433A	SAE B 2-4 Bolt	49TA5438A
49TA5432A	SAE B-B 2-4 Bolt	49TA5439A
**	SAE C 2 Bolt	**
49TA5436A	SAE C 2-4 Bolt	49TA5442A
49TA5434A	DIN 5462 4 Bolt	49TA5440A
49TA5435A	SAE B 2-4 Bolt w/ SAE C shaft	49TA5441A

** Use SAE C 2-4 bolt kit

CS10 SERIES FOR ALLISON 3000

WITHOUT RETARDER OR REAR COOLER

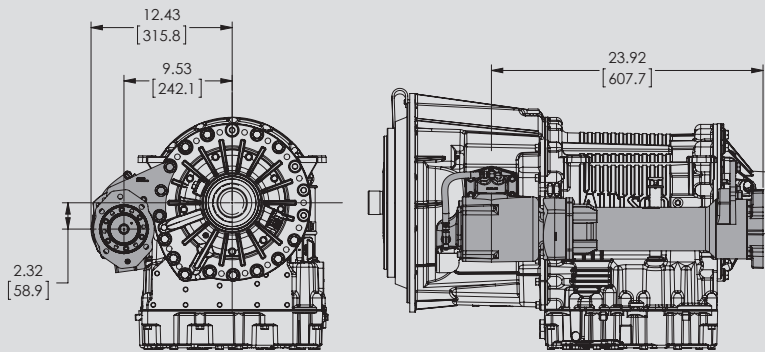


LEFT SIDE OPENING	OUTPUT	RIGHT SIDE OPENING
CS10-A10**-H3VX	Allison 3000 (MD)	CS10-A10**-H1VX
49TA5448A	SAE B-B 2-4 Bolt	N/A
**	SAE C 2-Bolt	**
49TA5449A	SAE C 2-4 Bolt	N/A

** Use SAE C 2-4 bolt kit

CS24 SERIES FOR ALLISON 3000

WITHOUT RETARDER OR REAR COOLER

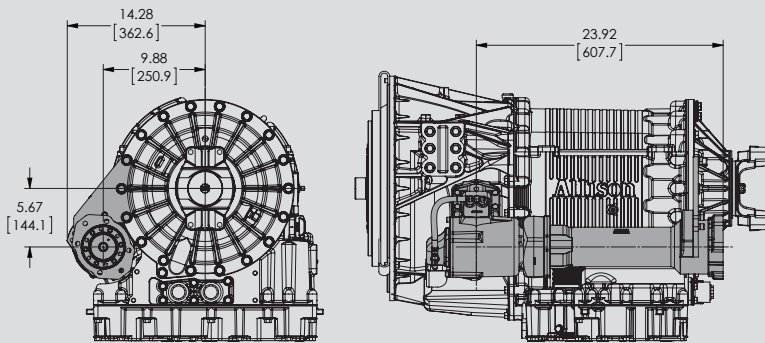


LEFT SIDE OPENING	OUTPUT	RIGHT SIDE OPENING
CS24-A10**-H3VX	Allison 3000 (MD)	CS24-A10**-H1VX
49TA5420A	SAE B 2-4 Bolt	49TA5426A
49TA5419A	SAE B-B 2-4 Bolt	49TA5425A
**	SAE C 2 Bolt	**
49TA5424A	SAE C 2-4 Bolt	49TA5430A
49TA5423A	DIN5462 2 Bolt	49TA5429A
49TA5422A	SAE B 2-4 Bolt w/ SAE C shaft	49TA5428A

** Use SAE C 2-4 bolt kit

CS24 SERIES FOR ALLISON 4000

WITHOUT RETARDER OR REAR COOLER

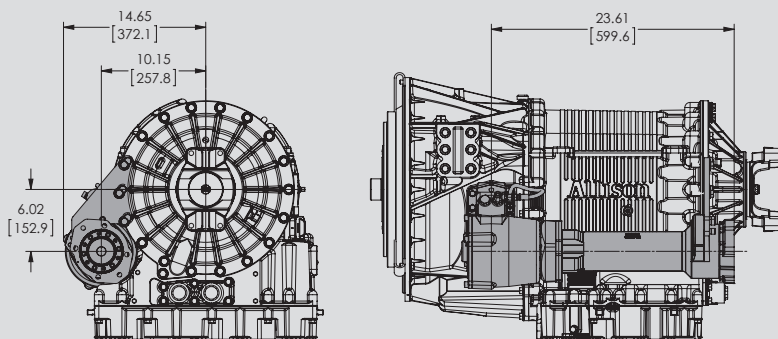


LEFT SIDE OPENING	OUTPUT	RIGHT SIDE OPENING
CS24-A10**-H3VX	Allison 4000 (HD ²)	CS24-A10**-H1VX
49TA5409A	SAE B 2-4 Bolt	N/A
49TA5408A	SAE B-B 2-4 Bolt	N/A
**	SAE C 2 Bolt	N/A
49TA5413A	SAE C 2-4 Bolt	N/A
49TA5412A	DIN5462 4-Bolt	N/A
49TA5411A	SAE B 2-4 Bolt w/ SAE C shaft	N/A

** Use SAE C 2-4 bolt kit

CS41 SERIES FOR ALLISON 4000

WITHOUT RETARDER OR REAR COOLER



LEFT SIDE OPENING	OUTPUT	RIGHT SIDE OPENING
CS41-A10**-H3VX	Allison 4000 (HD ²)	CS41-A10**-H1VX
**	SAE C 2-Bolt	N/A
49TA5447A	SAE C 2-4 Bolt	N/A
49TA5445A	DIN5462 4-Bolt	N/A
49TA5446A	SAE B 2-4 Bolt w/SAE C shaft	N/A

** Use SAE C 2-4 bolt kit

